

<R42-347-0>

SERVICE MANUAL

HEADPHONES VOL.1

<73C02F01K>

 **PIONEER®**

CONTENTS

1. SE-20	3
2. SE-20A	5
3. SE-25	7
4. SE-30	9
5. SE-30A	11
6. SE-45	13
7. SE-50	15
8. SE-100	17
9. JB-100	19
10. SE-L20	21
11. SE-L20A	23
12. SE-L25	25
13. SE-L40	27
14. SE-305	29
15. SE-505	31

1. SE-20

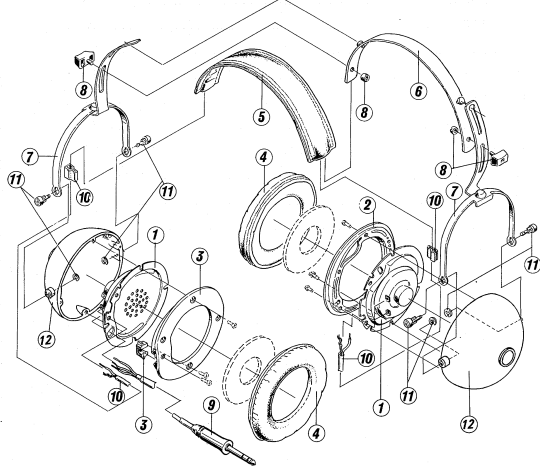
SPECIFICATIONS

Matching Impedance 4 to 16Ω
 Earpiece Element Impedance 8Ω per element
 Maximum Allowable Input 0.5W (each element)
 Frequency Response 20 to 20,000Hz
 Cord 8.2 ft. with 3-P plug
 Weight 13.3 oz. (without cord)

NOTE:
 Specifications and the design subject to possible modification without notice due to improvements.

PARTS LIST

Key No.	Description	Part No.
1	Speaker Assembly	SXC-010-0
2	Earpad Supporter (Right)	N93-617-0
3	Earpad Supporter (Left)	SXC-025-0
4	Ear pad	SCD-134-0
5	Head pad	SCD-133-0
6	Head Band (A)	N62-750-0
7	Head Band (B)	N62-751-0
8	Adjusting Knob (Right & Left)	SXC-020-0
9	Cord with 3-P Plug	SXC-011-0
10	Lead Wire	SXC-017-0
11	Band Shaft	SXC-006-0
12	Case	OCC-099A



2. SE-20A

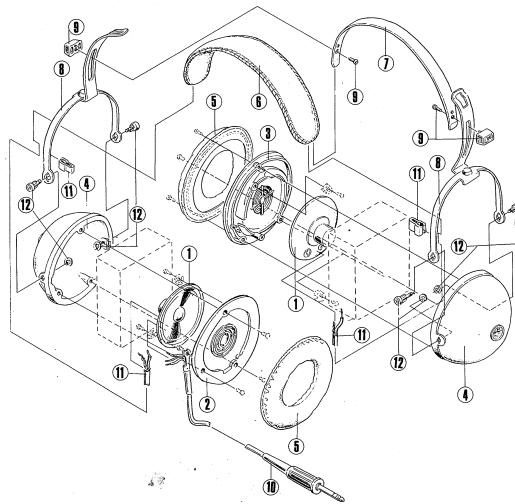
SPECIFICATIONS

Matching Impedance	4 ~ 16Ω
Earpiece Element Impedance	8Ω per element
Maximum Allowable Input	0.5W (each element)
Frequency Response	20 ~ 18,000Hz
Cord	8.2 ft. with 3-P plug
Weight	13.3 oz. (380g) without cord

NOTE:
Specifications and the design subject to possible modification without notice due to improvements.

PARTS LIST

Key No.	Description	Part No.
1	Speaker Assembly	SXC-007-0
2	Protection Board (Left)	SCD-194-0
3	Protection Board (Right)	SCD-183-0
4	Case	SXC-021-0
5	Ear pad	SCD-134-0
6	Head pad	SCD-202-0
7	Head Band (A)	N63-741-A
8	Head Band (B)	N63-742-0
9	Adjusting Knob (Right & Left)	SXC-003-0
10	Cord with 3-P Plug	SXC-013-0
11	Lead Wire	SXC-005-0
12	Band Shaft	SXC-006-0
	Packing Case (not for SE-20A/up)	H93-626-0
	Leather Case (SE-20A/up only)	SHF-001-0
	Outer Case (SE-20A/up only)	H93-628-A
	Operating Guide	R12-719-0



3. SE-25

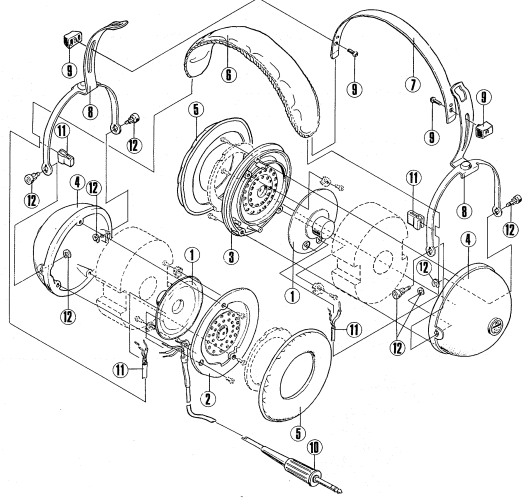
SPECIFICATIONS

Matching impedance 4 to 16Ω
 Frequency response 20 to 20,000 Hz
 Sensitivity 105dB/0.1V
 Maximum input 2V (each channel)
 Speaker 2-3/4" dynamic speaker with cone-type
 Cord Cord extensible up to 8.2 feet
 (2.5m) with 3-P plug
 Weight 13.83oz. (395g), less cord

NOTE:
 Specifications and the design subject to possible modification without notice
 due to improvements.

PARTS LIST

Key No.	Description	Part No.	
1	Speaker Assembly	SXC-007-0	
2	Protection Board (Left)	SCD-329-0	
3	Protection Board (Right)	SCD-331-0	
4	Case	SXC-022-0	
5	Ear pad	SCD-134-A	
6	Head pad	SCD-202-A	
7	Head Band (A)	N63-741-A	
8	Head Band (B)	N63-742-A	
9	Adjusting Knob (L,R)	SXC-026-0	
10	Cord with 3-P Plug	SXC-014-0	
11	Lead Wire	SXC-019-0	
12	Band Shaft	SXC-006-0	
	Packing Case	H93-633-0	
	Operating Guide	SRB-012-0	



4. SE-30

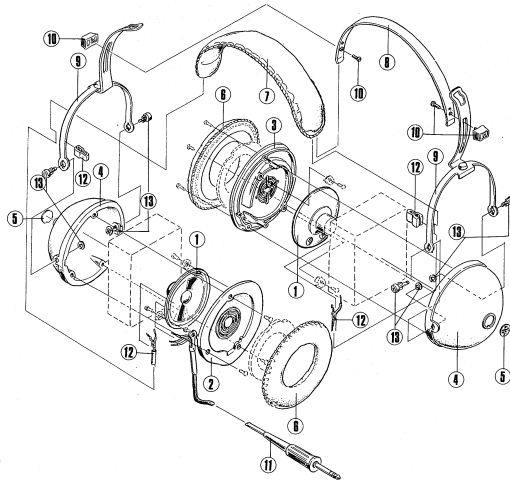
SPECIFICATIONS

Matching impedance 4 to 16Ω
 Earpiece Element Impedance 8Ω per element
 Maximum Allowable Input 0.5W (each element)
 Frequency Response 20 to 20,000Hz
 Cord 8.2ft. with 3-P plug
 Weight 13.3oz. (without cord)

NOTE:
 Specifications and the design subject to possible modification without notice due to improvements.

PARTS LIST

Key No.	Description	Parts No.
1	Speaker Assembly	SXC-007-0
2	Protection Board (Left)	SCD-184-0
3	Protection Board (Right)	SCD-183-0
4	Case	SXC-002-0
5	Name Plate	A44-755-0
6	Ear pad	SCD-116-B
7	Head pad	SCD-117-0
8	Head Band (A)	N63-741-A
9	Head Band (B)	N63-742-A
10	Adjusting Knob (Left & Right)	SXC-003-0
11	Cord with 3-P Plug	SXC-012-0
12	Lead Wire	SXC-005-0
13	Band Shaft	SXC-006-0
	Packing Case	H93-605-0
	Operating Guide	R19-656-0



5. SE-30A

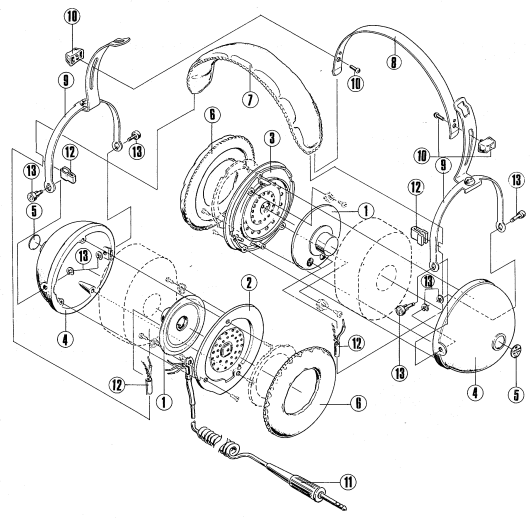
SPECIFICATIONS

Matching impedance 4 to 16Ω
 Frequency response 20 to 20,000 Hz
 Sensitivity 115 dB/0.3V at 400 Hz
 (Measured with B&K's Artificial Ear Model 4153)
 Input (maximum) 2V (each channel)
 Speaker 2 3/4" dynamic speaker with a dome of polyester resin
 Cord Retractable coiled cord extensible up to
 16.4 feet (5m), with 3-P plug
 Weight Approx. 14 oz (380 g), less cord

NOTE:
 Specifications and the design subject to possible modification without notice due to improvements.

PARTS LIST

Key No.	Description	Part No.
1	Speaker Assembly	SXC-001-0
2	Protection Board (Left)	SCD-329-A
3	Protection Board (Right)	SCD-331-A
4	Case	SXC-002-0
5	Name Plate	SAL-004-0
6	Ear pad	SCD-116-B
7	Head pad	SCD-117-B
8	Head Band (A)	NE3741-A
9	Head Band (B)	NE3742-A
10	Adjusting Knob (Left & Right)	SXC-003-0
11	Coiled Cord with 3-P Plug	SXC-004-0
12	Lead Wire	SXC-005-0
13	Band Shaft	SXC-006-0
	Packing Case (not for SE-30A/up)	SHG-004-0
	Leather Case (SE-30A/up only)	SHF-001-0
	Outer Case (SE-30A/up only)	SHG-005-0
	Operating Guide	R12-787-0



6. SE-45

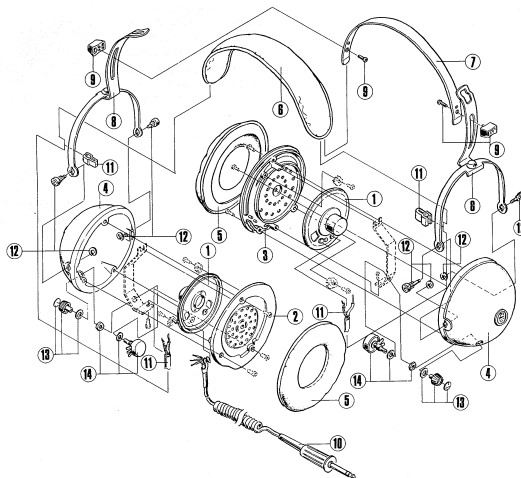
SPECIFICATIONS

Matching impedance 4 to 16Ω
 Frequency response 20 to 20,000Hz
 Maximum input 2V (each channel)
 Speaker 2-3/4" (7cm) dynamic speaker with polyester cone
 Control Volume control (each channel)
 Cord Retractable coiled cord extensible up to 16.4feet (5m), with 3-P plug
 Weight 14.87oz. (425g), less cord
 Accessories Y-cord

NOTE:
 Specifications and the design subject to possible modification without notice due to improvements.

PARTS LIST

Key No.	Description	Part No.
1	Speaker Assembly	SXC-008-0
2	Protection Board (Left)	SXC-027-0
3	Protection Board (Right)	SXC-028-0
4	Case	SXC-023-0
5	Ear pad	SCD-134-A
6	Head pad	SCD-335-0
7	Head Band (A)	NG3-741-A
8	Head Band (B)	NG3-742-A
9	Adjusting Knob (Left & Right)	SXC-026-0
10	Coiled cord with 3-P Plug	SXC-015-0
11	Lead Wire	SXC-019-0
12	Band Shaft	SXC-006-0
13	Knob	SXC-037-0
14	Volume Control	C81-620-B
	Packing Case	H93-634-0
	Y-Cord	DS3-639-0
	Operating Guide	SRB-013-0



7. SE-50

SPECIFICATIONS

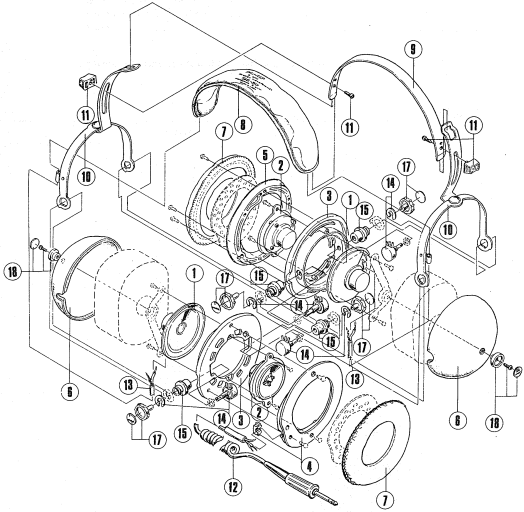
Matching Impedance	4Ω to 16Ω
Frequency Response	20 to 20,000 Hz
Maximum Allowable Input	0.5W (each channel)
Earpiece Elements	3" Cone-type for Lows 1-9/16" (2-way system) Horn-type for Highs
Cord	16 feet, coiled, with 3-P plug
Weight	1.35lb (without cord)
Volume controls	Provided on each earpiece, the right and the left, to permit controlling of the volume on each channel.
High Level controls	Provided on each earpiece, the right and the left, to permit controlling of highs on each channel.



NOTE:
Specifications and the design subject to possible modification without notice due to improvements.

PARTS LIST

Key No.	Description	Part No.
1	Speaker (Woofer)	SXC-009-0
2	Speaker (Tweeter)	DS-6
3	Protection Board	SCD-151-B
4	Ear pad Supporter (Left)	SXC-025-0
5	Ear pad Supporter (Right)	N93-617-0
6	Case	SXC-024-0
7	Ear pad	SCD-116-B
8	Head pad	SCD-150-0
9	Head Band (A)	N63-811-0
10	Head Band (B)	N62-749-A
11	Adjusting Knob (L, R)	SXC-003-0
12	Coiled Cord with 3-P Plug	SXC-016-0
13	Lead Wire	SXC-018-0
14	Volume Control	SXC-036-0
15	Shaft Supporter	N93-717-A
16	Tweeter Knob	SXC-030-0
17	Volume Knob	SXC-031-0
18	Name Plate Assembly	SXC-032-0
	Leather Case	H98-604-A
	Outer Case	H93-623-C
	Operating Guide	R12-640-0



8. SE-100

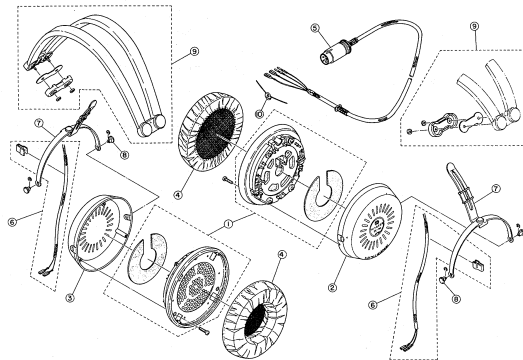
SPECIFICATIONS

Speaker Electret push-pull static type 2-way system
 Static capacity 140pF (each channel, including the connecting cord)
 Frequency response 20 to 35,000Hz
 Sensitivity 95dB or greater (input 100V) with B&K Artificial ear 4153
 Maximum sound pressure level 115dB
 Distortion Less than 1% (at sound pressure level 100dB)
 Separation 40dB or more (at audible band)
 Connecting cord 8.2 ft./2.5m (with 4-P plug)
 Weight 13 oz./360g (except connecting cord)

NOTE:
 Specifications and the design subject to possible modification without notice due to improvements.

PARTS LIST

Key No.	Description	Part No.
1	Speaker Assembly (Electret type)	SXC-048-0
2	Case (L)	SXC-041-0
3	Case (R)	SXC-042-0
4	Ear Pad	SXC-043-0
5	4-P Plug with Connecting Cord	K71-643-0
6	Lead Wire	SXC-044-0
7	Holder Unit	SXC-045-0
8	Shaft for Holder	SXC-046-0
9	Head Band Assembly	SXC-047-0
10	Capacitor (39pF, DC 2kV)	SCG-001-0
	Packing Case	H93-641-0
	Styrol Protector	H92-609-0
	Operating Guide (SE-100, JB-100)	SRB-009-0



9. JB-100

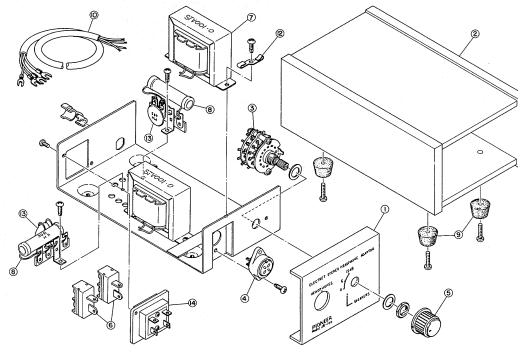
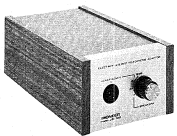
SPECIFICATIONS

Matching impedance	4 to 16Ω
Rated input	5V (When used in combination with SE-100)
Maximum input	10V (When used in combination with SE-100)
Output changeover	Switch system (0 dB, 6 dB, 12 dB and speaker)
Connecting cord	3.2 ft/1m
External dimensions	4-1/2 (W) x 3-1/8 (H) x 8-9/16 (D) inch
	114(W) x 80(H) x 217(D) mm
Weight	3 lb./1360 g
Accessories	Speaker connecting plug, two each

NOTE:
Specifications and the design subject to possible modification without notice due to improvements.

PARTS LIST

Key No.	Description	Part No.
1	Front Panel	M21-671-0
2	Wooden Case	M32-626-0
3	Rotary Switch	S15-606-0
4	4-P Socket	K72-625-0
5	Knob	A12-631-0
6	Plug	K72-642-0
7	Transformer	STV-001-0
8	Resistor (300, 5W)	C31-628-0
9	Rubber Foot	E31-615-A
10	Connection Cord	D12-639-0
11		
12	Cord Crimper	SNB-007-0
13	Positive Thermistor	SCN-002-A
14	Socket	K72-624-0
	Packing Case	H93-640-0
	Styrofoam Protector	H92-608-0
	Operating Guide (SE100, JB-100)	SRB-009-0



10. SE-L20

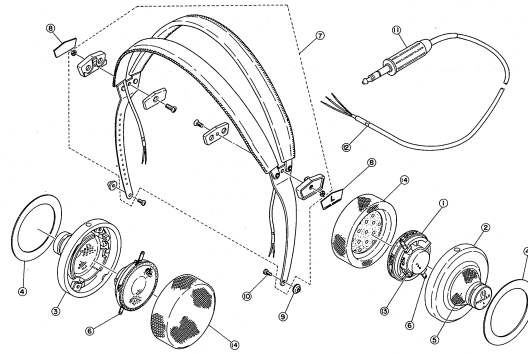
SPECIFICATIONS

Type "Open-air" stereo headphones
 Speaker 38mm (1-1/2 in) dynamic speaker
 Impedance 8Ω
 Matching impedance 4 to 16Ω
 Frequency response 20 to 20,000 Hz
 Sound pressure level 109 dB/0.4V
 Maximum input 30mW (each channel)
 Cord 2.5m (8-1/4 feet), with 3-P plug
 Weight 205g (7oz.), less cord

NOTE:
 Specifications and the design subject to possible modification without notice
 due to improvements.

PARTS LIST

Key No.	Description	Part No.
1	Speaker	38-705F
2	Ring (L)	SNK-015-0
3	Ring (R)	SNK-016-0
4	Escutcheon Ring	SNB-010-0
5	Speaker Cover	SXC-035-0
6	Spring for Speaker Mounting	SNA-003-0
7	Head Band Assembly	SXC-034-0
8	Escutcheon Template (L, R)	SAX-010-0
9	Stopper	SLA-002-0
10	Screw Cross Pan Head 2.3 x 5	
11	3-P Plug with Cord	SKM-001-0
12	Cord Clamper	SEF-003-0
13	Resistor	SCN-001-0
14	Ear Pad	SXC-069-0
	Packing Case	SHK-013-0
	Operating Guide	SRB-010-0



11. SE-L20A

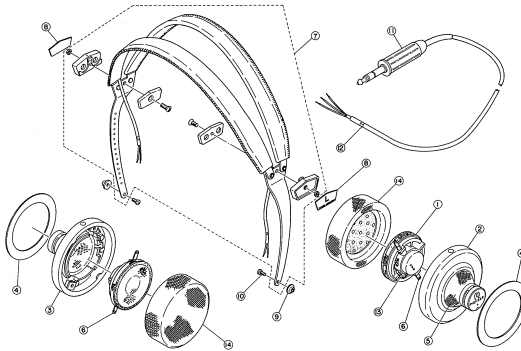
SPECIFICATIONS

Type "Open-air" stereo headphones
 Speaker 38mm (1-1/2 in) dynamic speaker
 Impedance 8Ω
 Matching impedance 4 to 16Ω
 Frequency response 20 to 20,000 Hz
 Sound pressure level 109 dB/0.4V
 Maximum input 30mW (each channel)
 Cord 2.5m (8-1/4 feet), with 3-P plug
 Weight 205g (7 oz), less cord

NOTE:
 Specifications and the design subject to possible modification without notice due to improvements.

PARTS LIST

Key No.	Description	Part No.
1	Speaker with Resistor	38-706F
2	Ring (L)	SNK-046-0
3	Ring (R)	SNK-047-0
4	Escutcheon Ring	SNB-041-0
5	Speaker Cover	SXC-035-0
6	Spring for Speaker Mounting	SBK-001-0
7	Head Band Assembly	SXC-034-0
8	Escutcheon Template (L, R)	SAX-010-0
9	Stopper	SLA-002-0
10	Screw Cross Pan Head 2.3 x 5	
11	3-P Plug with Cord	SKM-001-0
12	Cord Clamper	SEF-003-0
13	Resistor	SCN-001-0
14	Packing Case	SXC-069-0
	Ear Pad	SHK-013-0
	Operating Guide	SRB-010-0



12. SE-L25

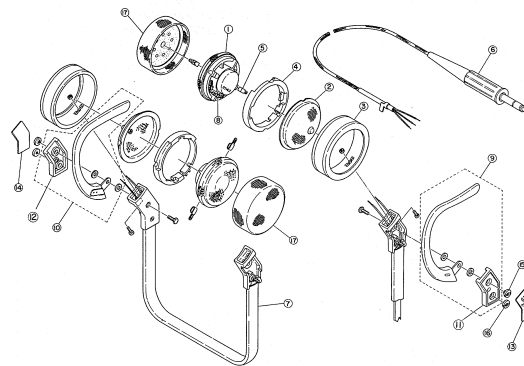
SPECIFICATIONS

Type "Open-air" stereo headphones
 Speakers 1-1/2" (3.8cm) dynamic type
 Impedance 8Ω
 Matching impedance 4 to 16Ω
 Frequency response 20 to 20,000 Hz
 Efficiency 109 dB/0.4V
 Maximum input power 30mW (each channel)
 Connection cord 9.8 feet (3m), with standard 3-P
 headphone plug
 Weight 6 oz (160g) (without cord)

NOTE:
 Specifications and the design subject to possible modification without notice
 due to improvements.

PARTS LIST

Key No.	Description	Part No.	
1	Speaker	3B-705F	
2	Speaker Cover	SXC-039-0	
3	Ring (Outer)	SNK-028-0	
4	Ring (Inner)	SNK-021-0	
5	Spring for Speaker Mounting	SBK-001-0	
6	3-P Plug with Cord	SKM-002-0	
7	Band Assembly	SXC-066-0	
8	Resistor	SCN-001-0	
9	Bow (L)	SXC-067-0	
10	Bow (R)	SXC-068-0	
11	Bow Retainer (L)	SNK-044-0	
12	Bow Retainer (R)	SNK-045-0	
13	Model Name Plate (L)		
14	Model Name Plate (R)		
15	Nut (A)	SBN-001-0	
16	Nut (B)	SBN-002-0	
17	Ear Pad	SXC-038-0	
	Packing Case	SHF-023-A	
	Decorated Package	SRF-007-0	
	Operating Guide	SRB-024-0	



13. SE-L40

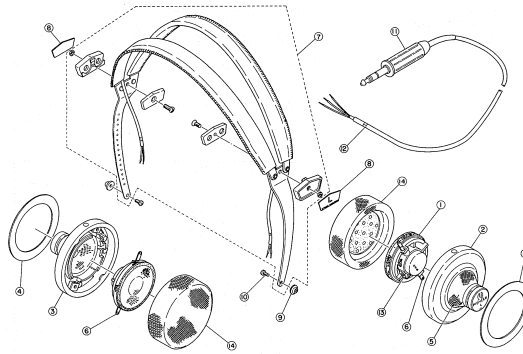
SPECIFICATIONS

Type "Open-air" stereo headphones
 Speaker 1-1/2" dynamic speaker
 Impedance 8Ω
 Matching impedance 4 to 16Ω
 Frequency response 20 to 20,000 Hz
 Sound pressure level 108 dB/0.4V
 Maximum input 30mW (each channel)
 Cord 9.8 feet (3m), with 3-P plug
 Weight 8oz. (230g), less cord

NOTE:
 Specifications and the design subject to possible modification without notice due to improvements.

PARTS LIST

Key No.	Description	Part No.
1	Speaker	3S-704F
2	Ring (L)	SNK-046-A
3	Ring (R)	SNK-047-A
4	Escutcheon Ring	SNB-010-A
5	Speaker Cover	SXC-035-C
6	Spring for Speaker Mounting	SNA-003-0
7	Head Band Assembly	SXC-034-C
8	Escutcheon Template (L, R)	SAX-011-0
9	Stopper	SLA-002-0
10	Screw Cross Pan Head 2.3 x 5	
11	3-P Plug with Cord	SKM-002-0
12	Cord Clamper	SEF-003-0
13	Resistor	SCN-001-0
14	Ear Pad	SXC-009-0
	Packing Case	SHG-019-0
	Decorated Package	SHF-006-0
	Operating Guide	SRB-011-0



14. SE-305

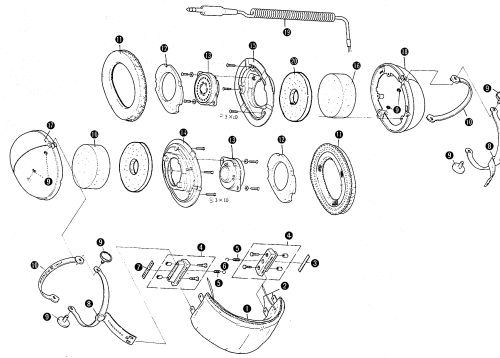
SPECIFICATIONS

Speaker 45mm (1-3/4 in) dynamic speaker
 Impedance 8Ω
 Matching impedance 4 to 16Ω
 Frequency response 20 to 20,000Hz
 Sound pressure level 108dB/0.3V
 Maximum input 500mW (each channel)
 Cord length Retractable coiled cord extensible up to 16.4 feet (5m), with 3-P plug
 Weight 435g (16 oz), less cord

NOTE:
 Specifications and the design subject to possible modification without notice due to improvements.

PARTS LIST

Key No.	Description	Part No.
1	Head pad	SCD-434-0
2	Head band A	SNB-068-0
3	Name plate (Left)	SAL-263-0
4	Head band holder Ass'y A	SXC-077-0
5	Spring	SBH-001-0
6	Steel ball 4φ	SEF-022-0
7	Name plate (Right)	SAL-263-A
8	Head band B	SNB-069-0
9	Shaft	SXC-079-0
10	Band	SNB-060-0
11	Ear pad	SCD-431-0
12	Acoustic material	SMT-065-B
13	Speaker assembly	4S-702F
14	Protection board (Right)	SNK-075-0
15	Protection board (Left)	SNK-074-0
16	Acoustic material with 20	
17	Case (Right)	SCC-231-0
18	Case (Left)	SCC-230-0
19	Coiled cord with 3-P Plug	SXC-078-0
	Operating guide	SFB-061-0
	Plastic case	SXC-073-0
	Packing case	SHG-051-0



15. SE-505

SPECIFICATIONS

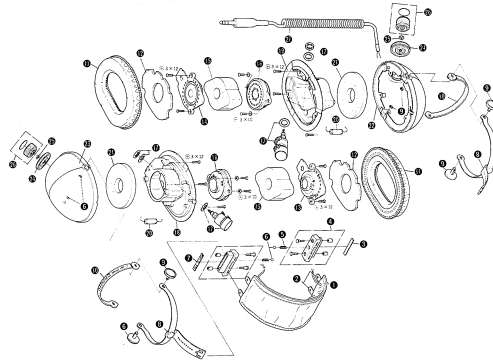
Speaker	Woofer-polyester cone 45 ϕ mm (1-3/4 in) Tweeter-polyester cone 32 ϕ mm (1-1/4 in)
Impedance	8 Ω
Matching impedance	4 to 16 Ω
Frequency response	20 to 20,000 Hz
Sound pressure level	108 dB/0.3V
Maximum input	500mW (each channel)
Cord length	Retractable coiled cord extensible up to 5m (16.4 feet), with 3-P plug
Weight	690g 11b 8oz. less cord
Subfunction	Volume control Tone control



NOTE:
Specifications and the design subject to possible modification without notice due to improvements.

PARTS LIST

Key No.	Description	Part No.
1	Head pad with lead wire	SXC-082-0
2	Head band A	SNB-066-0
3	Name plate (Left)	SAL-271-0
4	Head band holder Assembly B	
5	Spring	SBH-001-0
6	Steel ball 4 ϕ	SEF-022-0
7	Name plate (Right)	SAL-271-A
8	Head band B	SNB-067-0
9	Shaft	SXC-080-0
10	Band	SNB-065-0
11	Ear pad	SCD-441-0
12	Acoustic material	SMT-090-0
13	Tweeter assembly (Right)	SXC-085-0
14	Tweeter assembly (Left)	SXC-079-0
15	Acoustic material	
16	Woofer assembly	45-703F
17	Volume control assembly	SXC-083-0
18	Protection board (Right)	SNK-085-0
19	Protection board (Left)	SNK-084-0
20	Capacitor 8 μ F 10V NP	
21	Acoustic material	
22	Case (Left)	SCC-232-0
23	Case (Right)	SCC-233-0
24	Knob (Tone control)	SAA-088-0
25	Knob washer	SEC-119-0



Key No.	Description	Part No.
26	Knob assembly (Volume control)	SXC-084-0
27	Coiled cord with 3-P plug	SXC-078-0
	Operating guide	SRB-061-0
	Plastic case	SXC-074-0
	Packing case	SHG-052-0

PIONEER ELECTRONIC CORPORATION
15-5, 4-Chome, Ohmori-nishi, Ohta-ku, Tokyo, Japan
U.S. PIONEER ELECTRONICS CORPORATION
178 Commerce Road, Carlstadt New Jersey 07072 U.S.A.
PIONEER ELECTRONIC (EUROPE) N.V.
Meir-center, Meir 21, 2000 Antwerp, Belgium

© MAR. 1973 PRINTED IN JAPAN