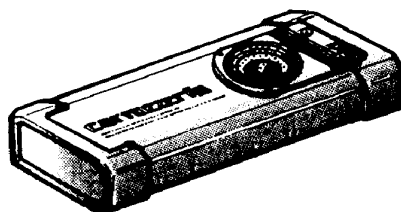


Service Manual



ORDER NO.
TRT1053

SURFACE-MOUNT TUNE-UP WOOFER SYSTEM

TS-LX100

EW

SPECIFICATIONS

•Speaker specifications

Size ϕ 180mm (7" Dia.)
 Injection-molded polypropylene cone
 High compliance, rolled edge
 Heat-resistant voice coil
 Strontium magnet : 440g (15.5oz)

•Amplifier

Max. Power output 80W (60Hz, 30% THD)
 INPUT LEVEL (at Gain Max.)
 (RCA) 150mV+150mV / 20k Ω
 (Speaker line) 1.5V+1.5V / 5k Ω
 Power source DC14.4V (10.8 - 15.6V allowable)
 Max. current consumption 6A
 Grounding Negative ground

•Speaker system Bass-reflex type

•Sensitivity 94dB (1m / 10W, 60Hz)(max. 103dB)

•Size 740mm (29-1/8")W \times
 320mm (12-5/8")H \times 141mm (5-1/2")D

•Cabinet material Medium density fiber Particle board

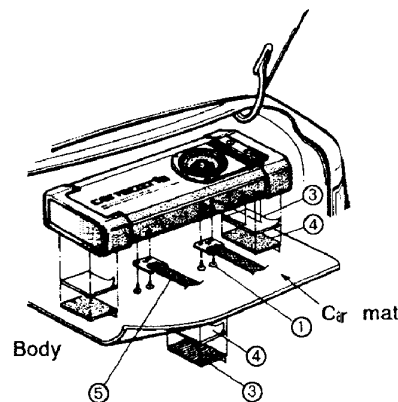
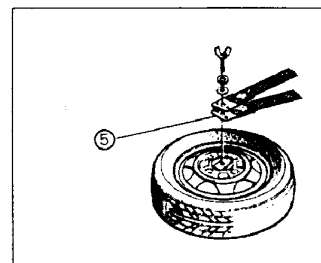
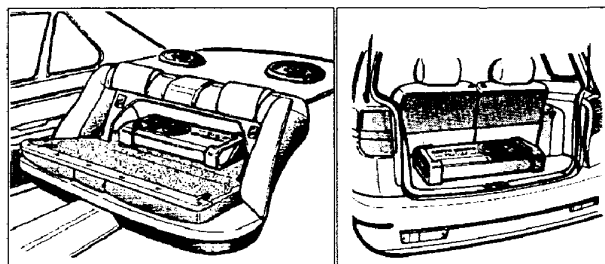
•Weight (including accessory parts) 8.40kg (18lb 8oz)

•Gross weight (including packaging) 9.80kg (21lb 10oz)

Note :

Specifications and the design are subject to possible modification without notice due to improvements.

EXAMPLE OF INSTALLATION



PIONEER ELECTRONIC CORPORATION 4-1, Meguro 1-Chome, Meguro-ku, Tokyo 153, Japan

PIONEER ELECTRONICS SERVICE INC. P.O. Box 1760, Long Beach, California 90801 U.S.A.

PIONEER ELECTRONICS OF CANADA, INC. 300 Allstate Parkway Markham, Ontario L3R 0P2 Canada

PIONEER ELECTRONIC [EUROPE] N.V. Haven 1087 Keetberglaan 1, 9120 Melsele, Belgium

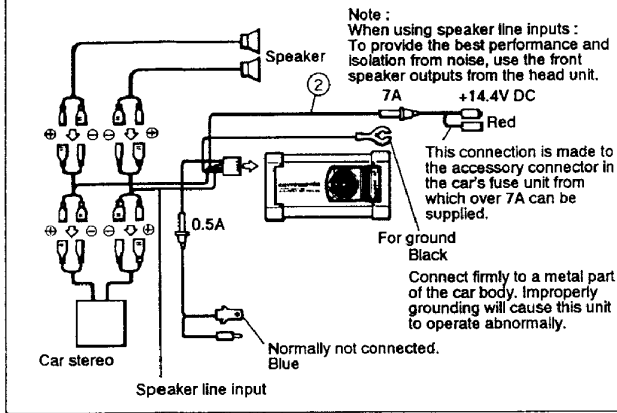
PIONEER ELECTRONICS AUSTRALIA PTY. LTD. 178-184 Boundary Road, Braeside, Victoria 3195, Australia TEL: [03] 580-911 1

© PIONEER ELECTRONIC CORPORATION 1993

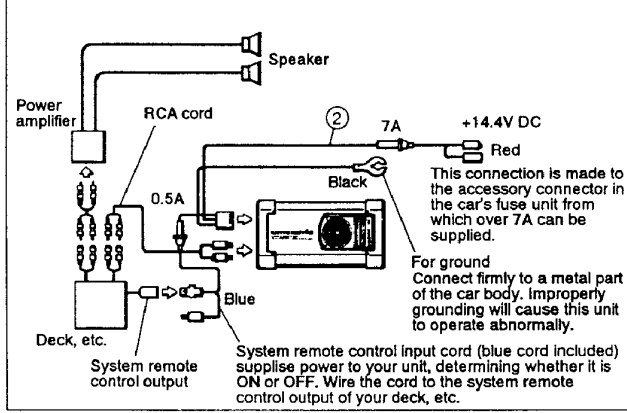
JUNE 1993 Printed in Japan

WIRING EXAMPLE

1. Speaker line input system



2. RCA input system



EXPLODED VIEW AND PARTS LIST

NOTES:

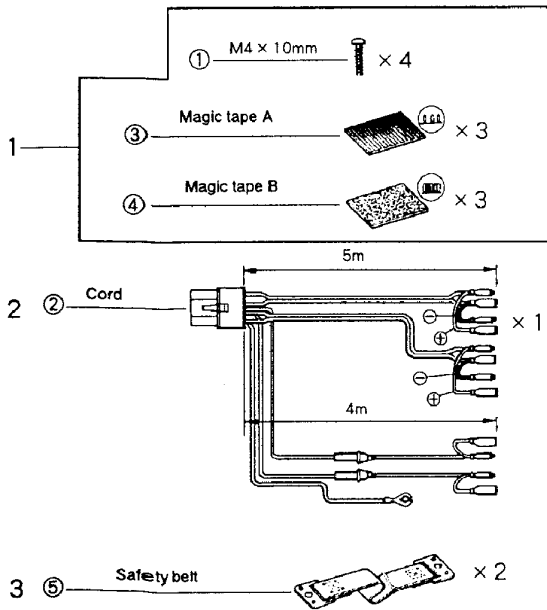
- Parts marked by "NSP" are generally unavailable because they are not in our Master Spare Parts List.
- The Δ mark found on some component parts indicates the importance of the safety factor of the part. Therefore, when replacing, be sure to use parts of identical designation.
- Parts marked by "⊙" are not always kept in stock. Their delivery time may be longer than usual or they may be unavailable.

PACKING

Mark	No.	Description	Part No.	Remark
	1	Installation kit (Magic tape A, B, Screw)	TEA1386	× 1
	2	Cord	TDC1758	× 1
	3	Belt	TNA1203	× 2
		Operating instructions	TRA1329	× 1
		Packing case	THF1938	× 1
For L,R side section		Styrofoam protector Sheet	TEC1600	1pair
		Styrofoam protector Sheet	TEC1605	× 2
For center section		Styrofoam protector Sheet	TEC1627	1pair
		Styrofoam protector Sheet	TEC1630	× 1

PARTS LIST OF EXPLODED VIEW

Mark	No.	Description	Part No.	Remark
⊙	1	CONTROL UNIT	TWG1005	× 1
⊙	2	TERMINAL UNIT	TWS1022	× 1
⊙	3	POWER AMP UNIT	TWH1011	× 1
	4	Speaker	16-1021BZ	× 1
	5	Panel assembly	TXK1289	× 1
NSP	6	Mesh	TLL1299	× 1
NSP	7	Front panel assembly	TXK1290	× 1
	8	Cabinet assembly	TXC1103	× 1
	9	Bracket	TNA1276	× 1
	10	Heat sink	TNA1277	× 1
	11	VR knob	TAA1005	× 3
	12	Screw	TBA1063	× 6
	13	Switch knob	TAA1009	× 1
	14	Cord	TDC1729	× 1
	15	Packing	TED1102	× 1
	16	Packing	TED1103	× 2
	17	Cushion	TED1104	× 1
	18	Insulator	TNM1005	× 1
	19	RCA cap	TEB1173	× 2
	20	Screw	BBZ30P060FMC	× 3
	21	Screw	PBB30P140FMC	× 2
	22	Screw	PNC50P160FMC	× 4
	23	Screw	BNC30P200FMC	× 2
	24	Screw	BNC30P120FMC	× 2
	25	Screw	BSZ30P060FMC	× 8



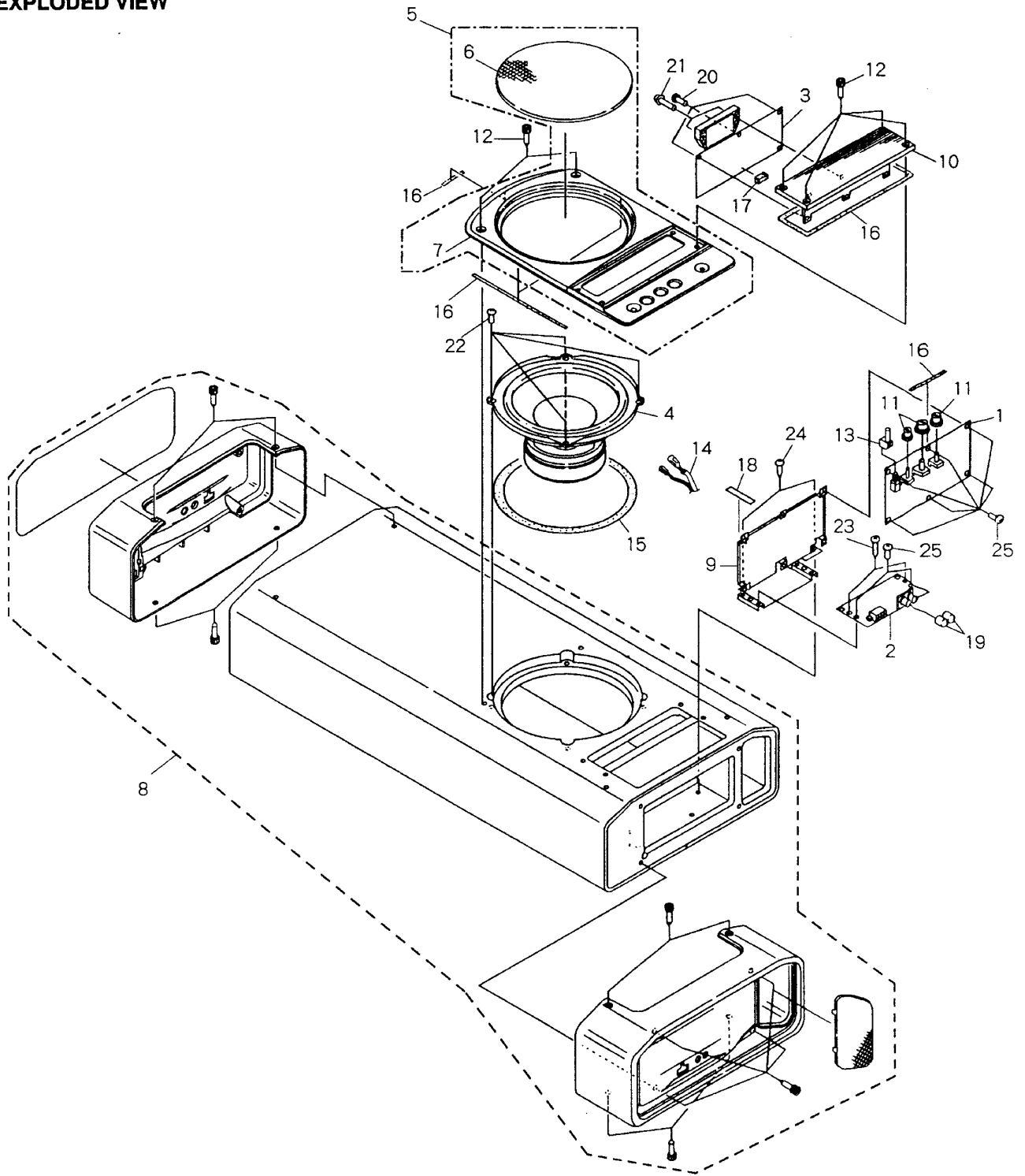
EXPLODED VIEW

A

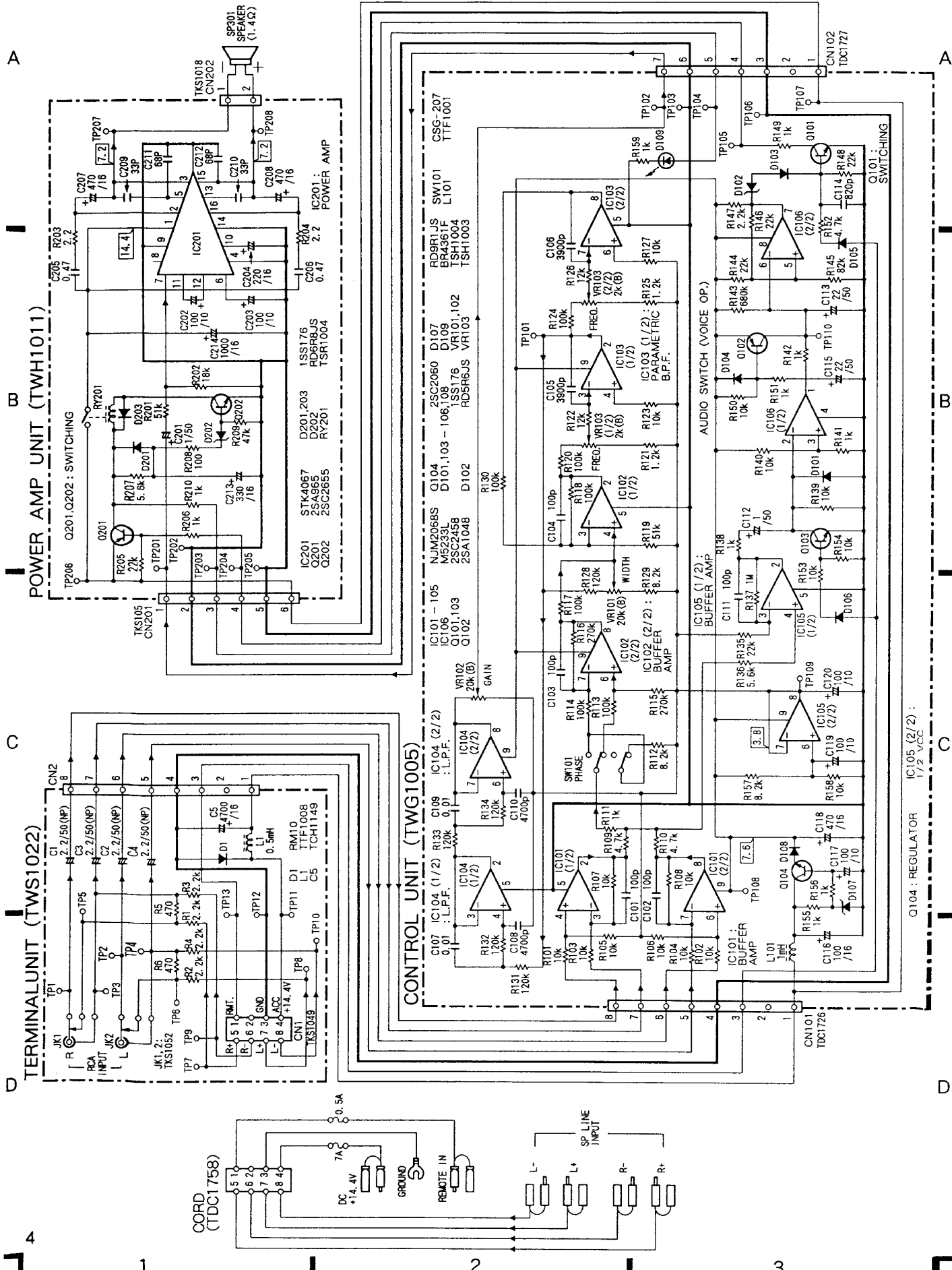
B

C

D



SCHEMATIC DIAGRAM



A

B

C

D

A

B

C

D

4

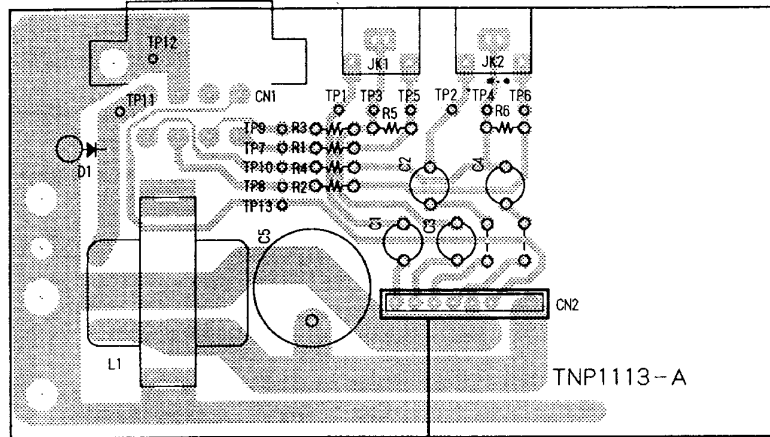
2

3

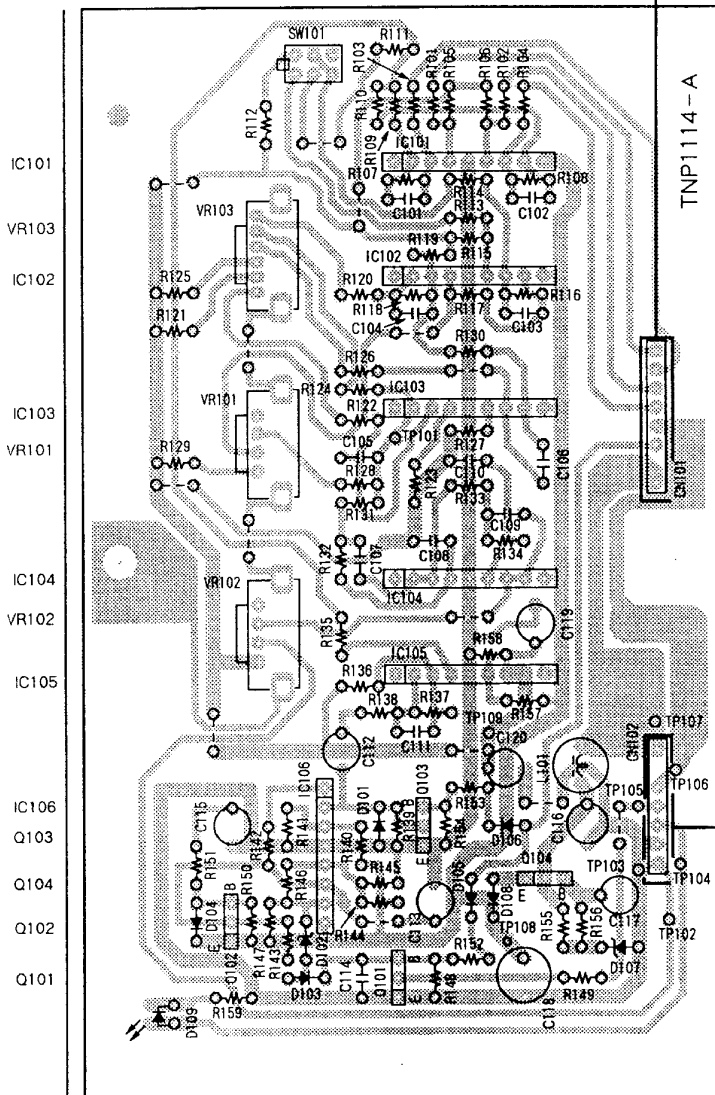
PCB CONNECTION DIAGRAMS

• This P. C. B. connection diagram is viewed from the foil side.

TERMINAL UNIT (TWS1022)



CONTROL UNIT (TWG1005)



POWER AMP UNIT (TWH1011)

