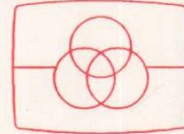


ADDITIONAL



Free service manuals
Gratis schema's
Digitized by

Service Manual

www.freesevicemanuals.info



The photo shows the model GM-43.

ORDER NO.
CRT1037

COMPONENT CAR STEREO
STEREO MAIN AMPLIFIER

GM-43 GM-42 GM-41

US, CA, ES

EW

US

- This additional Service Manual is applicable to the following models and serial numbers due to change of Amp Unit.

Model	Serial Number
GM-43/US	5901 -
GM-43/CA	1501 -
GM-43/ES	3001 -
GM-42/EW	42001 -
GM-41/US	1501 -

- This Service Manual is a supplement to the Original Service Manual (CRT1006) which was issued in June 1985.

CONNECTION

Connections of Cords (Supplied) for Wiring

- GM-43, 42

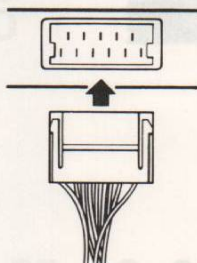


Fig. 1

- GM-41

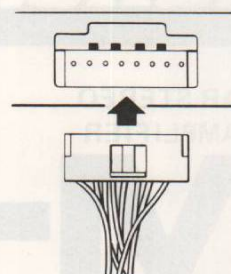


Fig. 2

PACKING METHOD

- Parts List (Page 26)

Mark	No.	Part No. (Old → New)	Description
1.	CRB-544	→ CRB1051	Owner's Manual (GM-43/US, CA) (English)
	CRB-545	→ CRB1052	Owner's Manual (GM-43/CA) (French)
	CRD-579	→ CRD1055	Owner's Manual (GM-43/ES)
	CRD-580	→ CRD1056	Owner's Manual (GM-42/EW)
	CRB-543	→ CRB1046	Owner's Manual (GM-41/US)
4.	CNB-603	→ CNB-783	Mounting Bracket
5.	CDK-409	→ CDE1117	Cord Assy (GM-41/US)
	CDK-413	→ Deleted	Connector (GM-41/US)

NOTE:
GM-43/US

	Serial No. 0001 – 6000	Serial No. 6001 –
Owner's Manual	CRB-544	CRB1051
Mounting Bracket	CNB-603	CNB-783

ELECTRICAL PARTS LIST

NOTE:

When ordering resistors, first convert resistance values into code form as shown in the following examples.

Ex. 1 When there are 2 effective digits (any digit apart from 0), such as 560 ohm and 47k ohm (tolerance is shown by J = 5%, and K = 10%).

560Ω	56 × 10 ¹	561	RD1/4PS	5 6 1 J
47kΩ	47 × 10 ³	473	RD1/4PS	4 7 3 J
0.5Ω	0R5		RN2H	0 5 K
1Ω	010		RS1P	0 1 0 K

Ex. 2 When there are 3 effective digits (such as in high precision metal film resistors).

5.62kΩ	562 × 10 ¹		RN1/4SR	5 6 2 F
--------	-----------------------	--	-------	---------	---------

For your parts Stock Control, the fast moving items are indicated with the marks ** and *.

** : GENERALLY MOVES FASTER THAN *

This classification shall be adjusted by each distributor because it depends on model number, temperature, humidity, etc.

Parts whose parts numbers are omitted are subject to being not supplied.

The part numbers shown below indicate chip components.

Chip Resistor
RS1/8S □□□J

Chip Capacitor (except for CQS.....)
CKS....., CCS.....

• GM-43

Amp Unit (CWH1013)

MISCELLANEOUS

Mark	Symbol & Description	Part No.
**	IC1, 2	TA7250BP
**	IC3	TA7362P
**	Q601	2SA1048-GR or 2SA933S
**	Q602	2SC1740SLN
**	Q851, 852	2SA1048 or 2SA838
**	Q853 - 855	2SC2634NC
*	D601	SM-3-02
*	D602 - 604	1SS133
*	D605 - 607	ERA15-02VH
*	D608	ERZ-C07DK220
*	D851	HZS8R2EB3 or RD8R2ESB3
	L601 Choke Transformer, 0.45mH	CTH1001
	L602 Choke Coil, 1mH	CTH-099
	RL601 Relay	CSR1001
	U601	CCG-081
**	VR1 Volume, 10KΩ (B)	CCP-455
**	S1 Switch (Jack Plate)	CKX-013

CAPACITORS

Mark	Symbol & Description	Part No.
	C551, 552	CEA010M50L2
	C553, 554	CKDYB681K50
	C555 - 558	CEA101M10L2
	C559 - 562	CEA221M10L2
	C563 - 568	CKDBC204M12
	C569, 570 2200μF/16V	CCH-123
	C571, 572	CQMA333K50
	C573, 574	CKDBC104K25
	C575 - 578	CKDYB472K50
	C602	CEA330M16L2
	C604	CEA3R3M50L2
	C605	CEA100M16L2
	C606 470μF/16V	CCH-114
	C851, 852, 855, 856	CEA100M16L2
	C853, 854	CKDYB102K50
	C857	CEA471M10L2
	C858	CQMA123K50
	C859, 860	CEA221M10L2

RESISTORS

Mark	Symbol & Description	Part No.
	R551 - 564, 601 - 611, 851 - 872	RD1/4PS□□□JL

• GM-42

Amp Unit (CWH1012)

MISCELLANEOUS

Mark	Symbol & Description	Part No.
**	IC1, 2	TA7250BP
**	IC3	TA7362P
**	Q601	2SA1048-GR or 2SA933S
**	Q602	2SC1740SLN
*	D601	SM-3-02
*	D602 - 604	1SS133
*	D605 - 607	ERA15-02VH
*	D608 Surge Absorber	ERZ-C07DK220
	L601 Choke Transformer, 0.45mH	CTH1001
	L602 Choke Coil, 1mH	CTH-099
	RL601 Relay	CSR1001
	U601	CCG-081
**	VR1 Volume, 10kΩ (B)	CCP-455
**	S1 Switch (Jack Plate)	CKX-012

RESISTORS

Mark	Symbol & Description	Part No.
	R551 - 564, 601 - 611	RD1/4PS□□□JL

CAPACITORS

Mark	Symbol & Description	Part No.
	C551, 552	CEA010M50L2
	C553, 554	CKDYB681K50
	C555 - 558	CEA101M10L2
	C559 - 562	CEA221M10L2
	C563 - 568	CKDBC204M12
	C569, 570 220μF/16V	CCH-123
	C571, 572	CQMA333K50
	C573, 574	CKDBC104K25
	C575 - 578	CKDYB472K50
	C601	CKDYB102K50
	C602	CEA330M16L2
	C604	CEA3R3M50L2
	C605	CEA100M16L2
	C606 470μF/16V	CCH-114

• GM-41

Amp Unit (CWH1011)

MISCELLANEOUS

Mark	Symbol & Description	Part No.
**	IC1, 2	TA7250BP
**	IC3	TA7362P
**	Q602	2SC1740SLN
*	D605 - 607	ERA15-02VH
*	D608 Surge Absorber	ERZ-C07DK220
	L601 Choke Transformer, 0.45mH	CTH1001
	L602 Choke Coil, 1mH	CTH-099
	RL601 Relay	CSR1001
	U601	CCG-081

RESISTORS

Mark	Symbol & Description	Part No.
	R553 - 566, 603 - 607	RD1/4PS□□□JL

CAPACITORS

Mark	Symbol & Description	Part No.
	C551, 552	CEA010M50L2
	C553, 554	CKDYB681K50
	C555 - 558	CEA101M10L2
	C559 - 562	CEA221M10L2
	C563 - 568	CKDBC204M12
	C569, 570 2200μF/16V	CCH-123
	C571, 572	CQMA333K50
	C573, 574	CKDBC104K25
	C575 - 578	CKDYB472K50
	C604	CEA3R3M50L2
	C605	CEA100M16L2
	C606 470μF/16V	CCH-114

SCHEMATIC CIRCUIT DIAGRAM (GM-43)

A

B

C

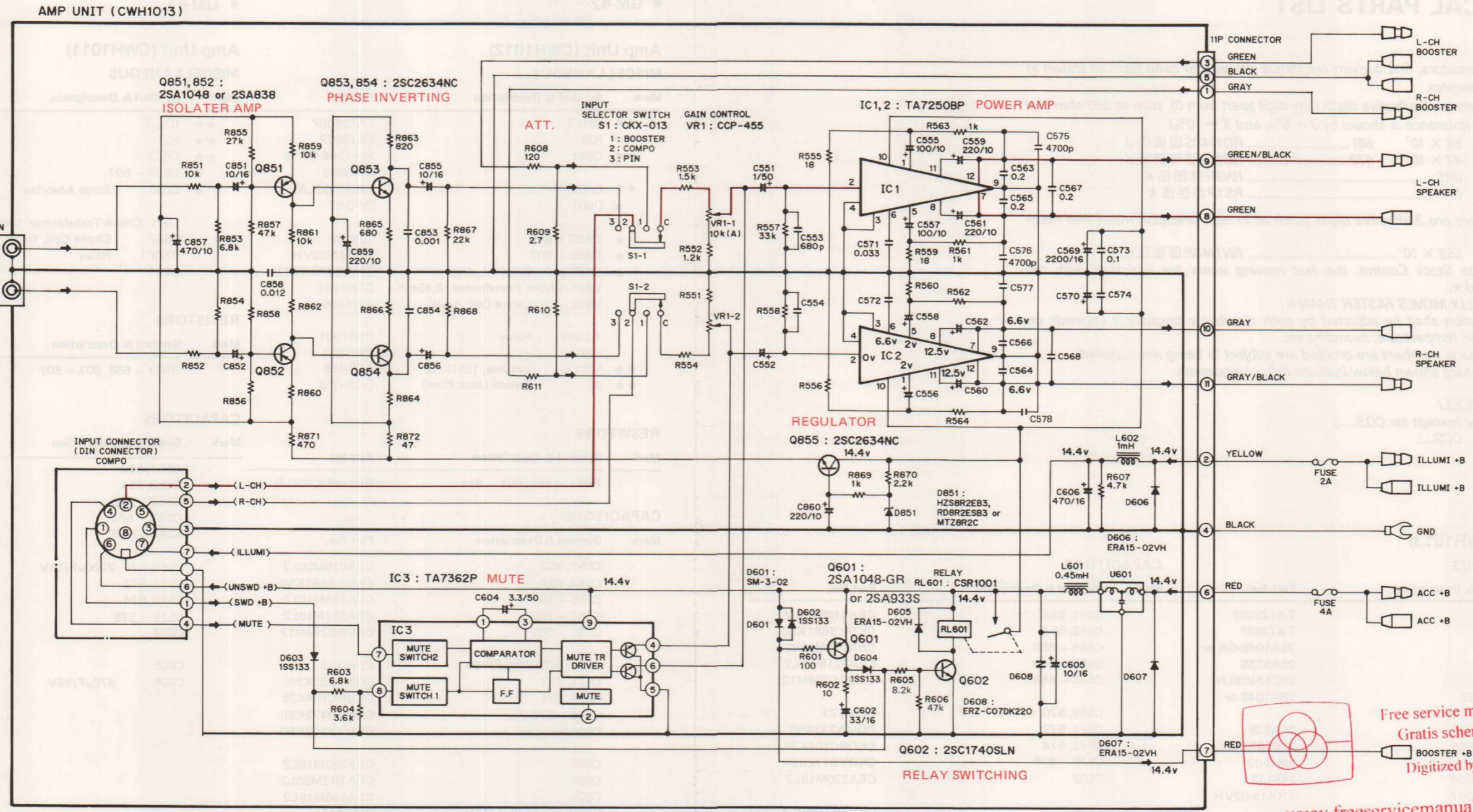
D

A

B

C

D



Free service manuals
 Gratis schema's
 Digitized by
www.freeservicemanuals.info

SWITCH:

- AMP UNIT
 - S1: INPUT SELECTOR SWITCH. . . . PIN-COMPO-BOOSTER
- The underlined indicates the switch position.

Pin	I/O	Function	Pin	I/O	Function
1	Input	Rch Booster	7	Output	Booster +B
2	Input	ILLUMI +B	8	Output	Lch Speaker
3	Input	Lch Booster	9	Output	Lch Speaker
4		GND	10	Output	Rch Speaker
5		GND (Booster)	11	Output	Rch Speaker
6	Input	ACC +B			

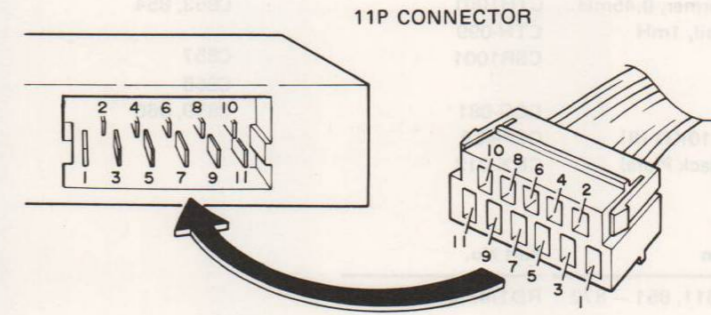
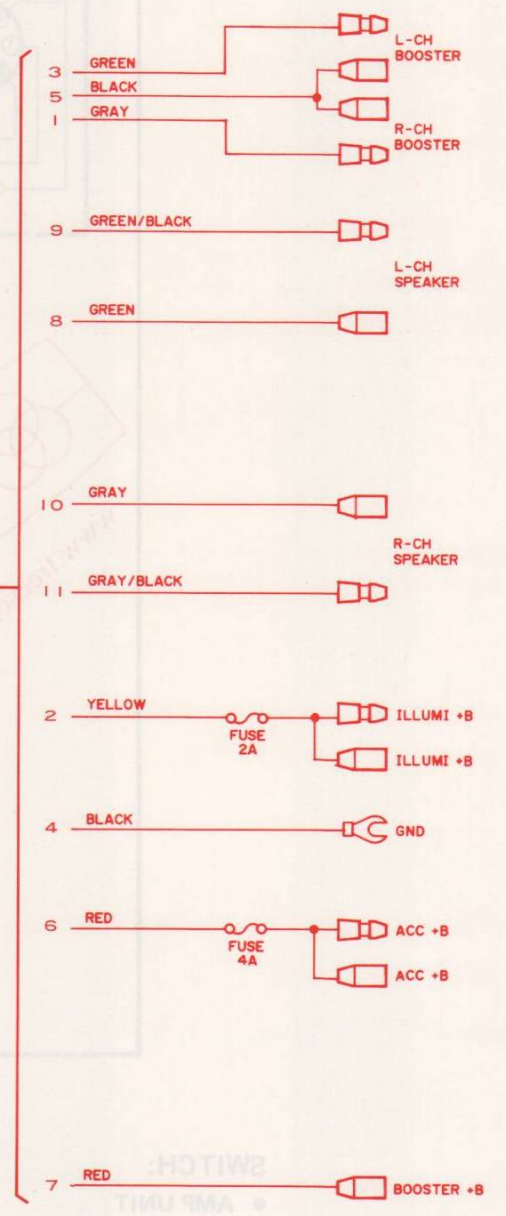
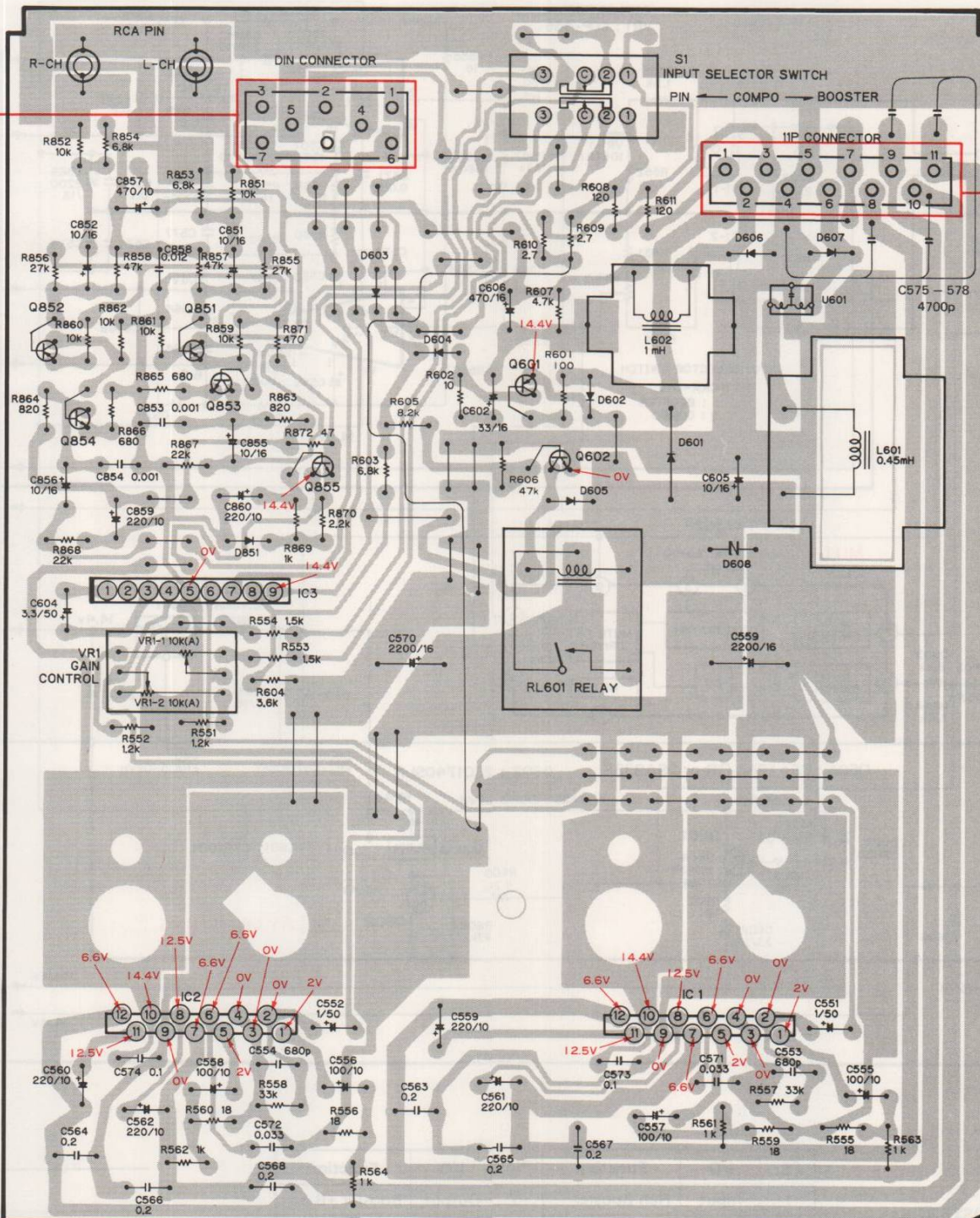
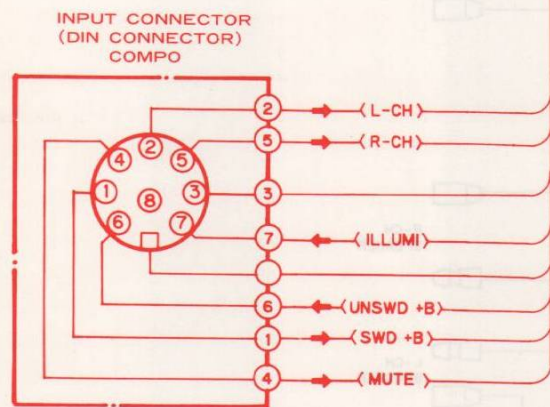


Fig. 3

CONNECTION DIAGRAM (GM-43)

AMP UNIT(CWH1013)

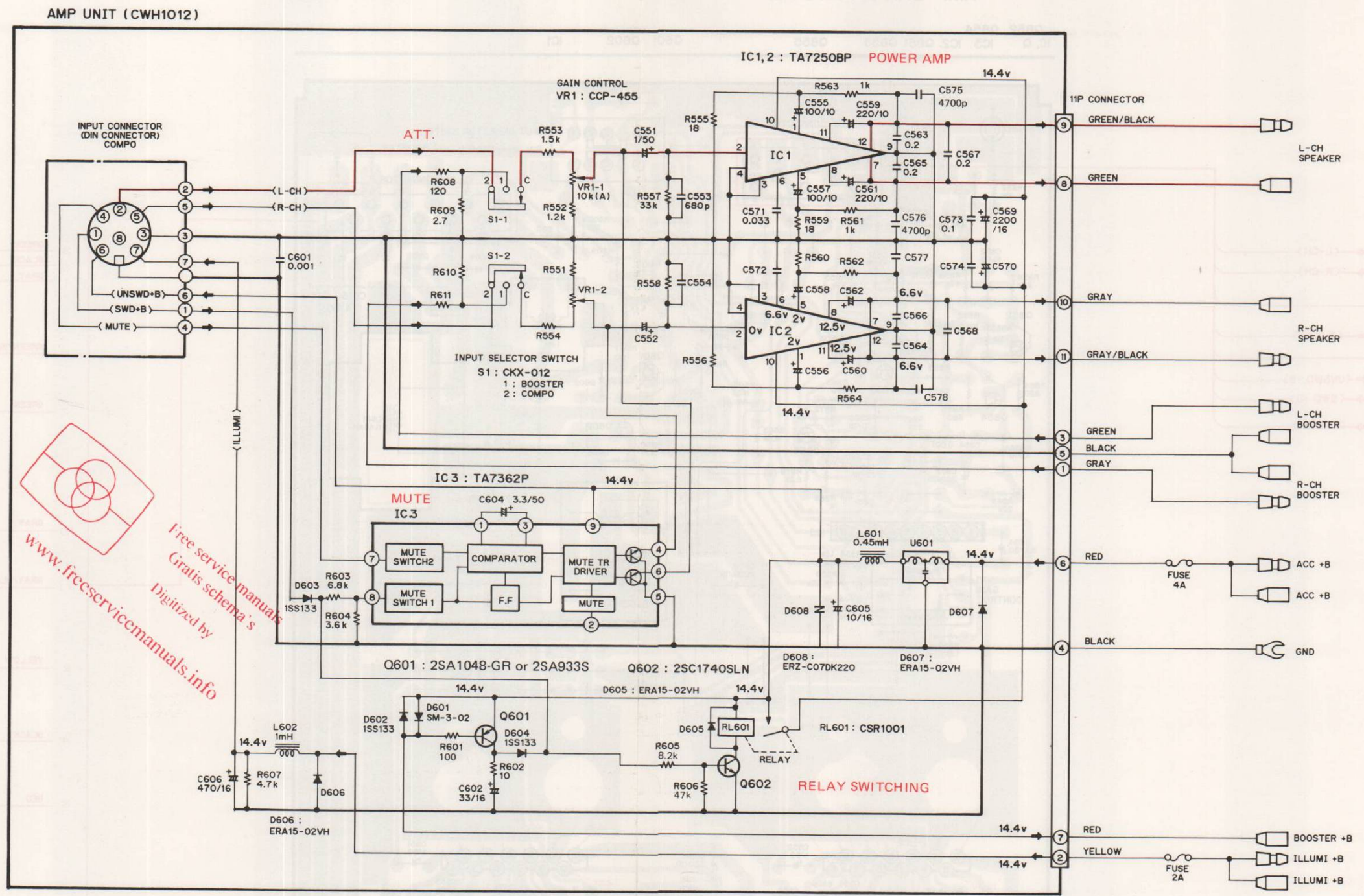
Q852 Q854
IC1 Q IC3 IC2 Q851 Q853 Q855 Q601 Q602 IC1



IC1, 2 : TA7250BP IC3 : TA7362P Q601 : 2SA1048-GR or 2SA933S Q602 : 2SC1740SLN
 Q853~855 : 2SC2634NC Q851, 852 : 2SA1048 or 2SA838
 D601 : SM-3-02 D602~604 : 1SS133 D605~607 : ERA15-02VH D608 : ERZ-C07DK220
 D851 : HZS8R2EB3, RD8R2ESB3 or MTZ8R2C

Fig. 4

SCHEMATIC CIRCUIT DIAGRAM (GM-42)



www.freemove.com
Free service manuals
Gratis schema's
Digitized by

SWITCH:

- AMP UNIT
 - S1: INPUT SELECTOR SWITCH COMPO-BOOSTER
- The underlined indicates the switch position.

Pin	I/O	Function	Pin	I/O	Function
1	Input	Rch Booster	7	Output	Booster +B
2	Input	ILLUMI +B	8	Output	Lch Speaker
3	Input	Lch Booster	9	Output	Lch Speaker
4		GND	10	Output	Rch Speaker
5		GND (Booster)	11	Output	Rch Speaker
6	Input	ACC +B			

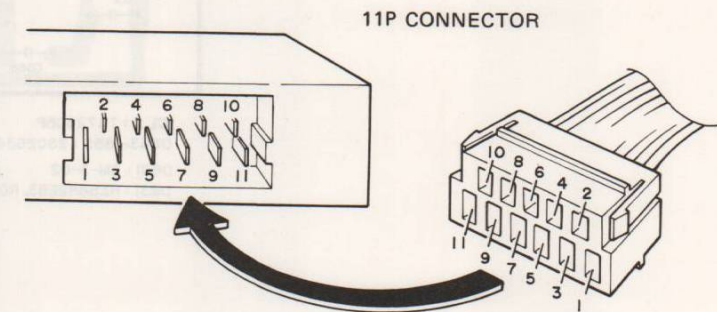
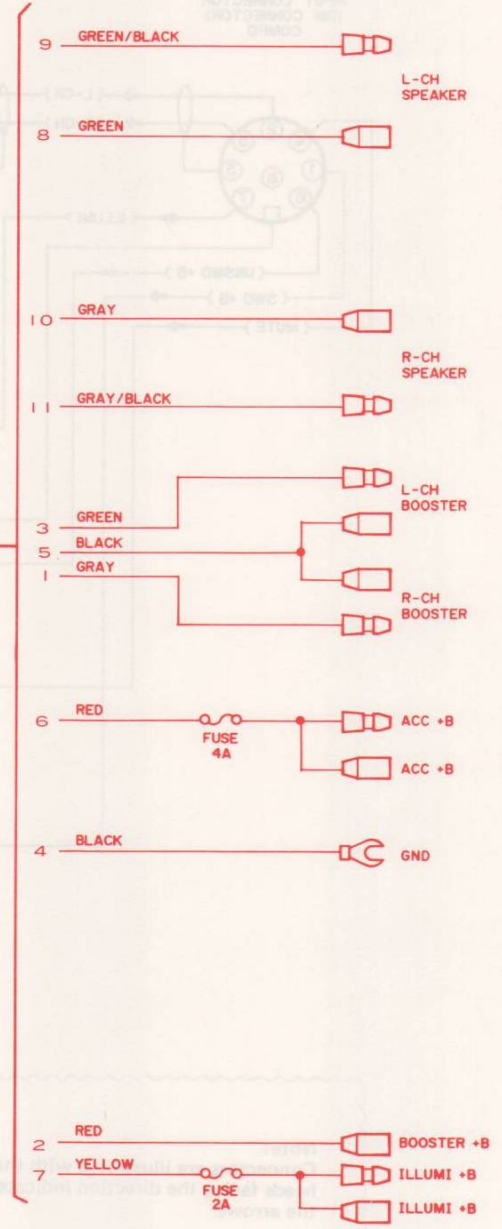
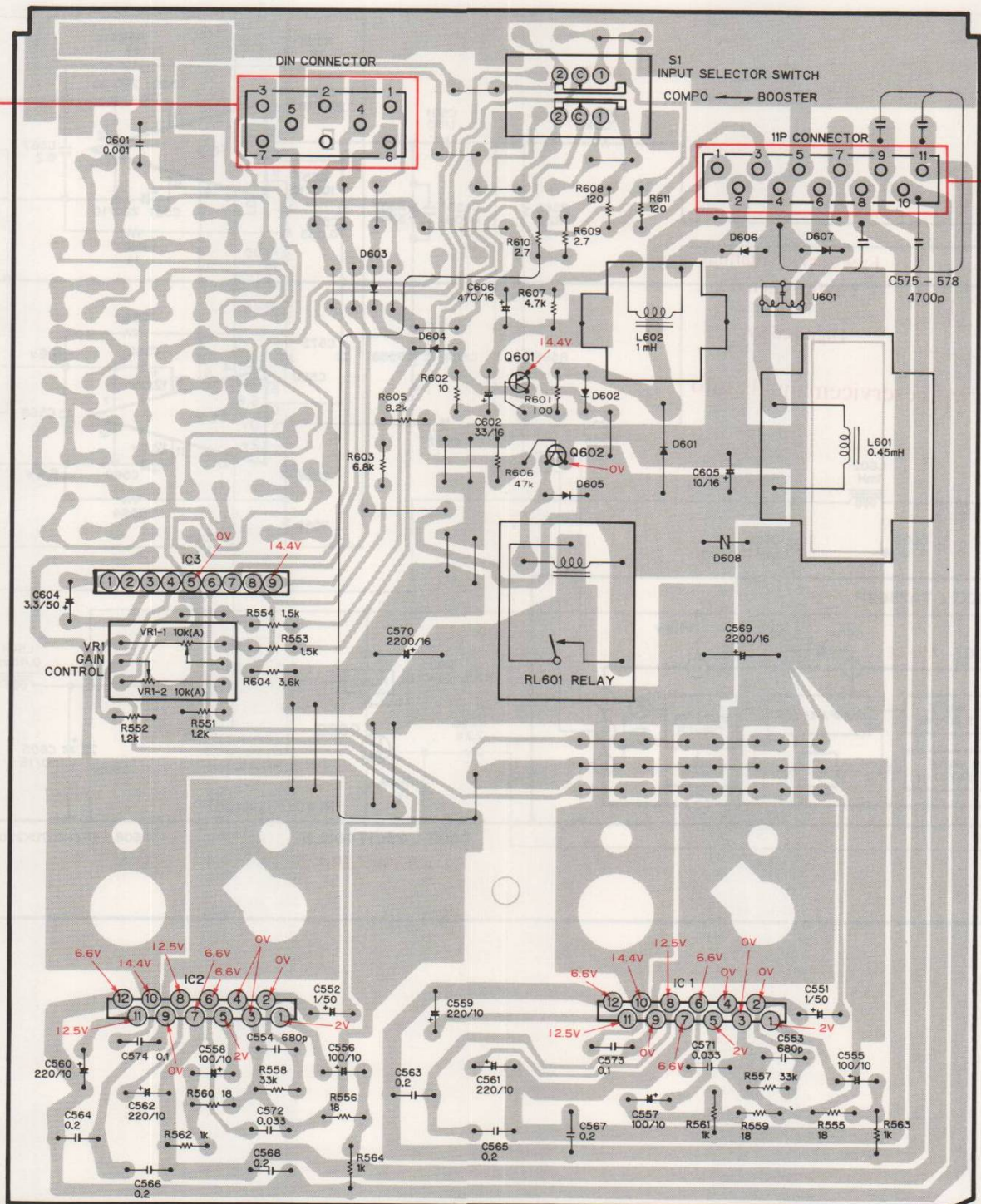
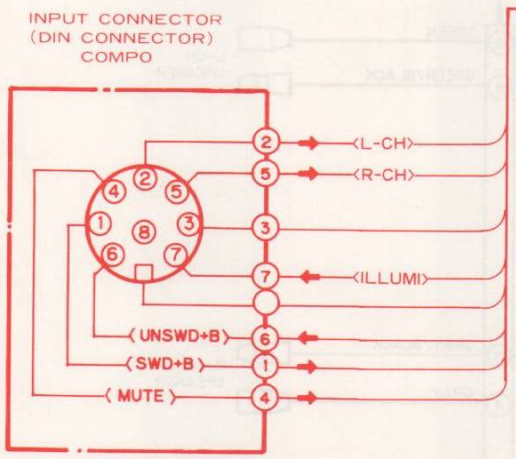


Fig. 5

CONNECTION DIAGRAM (GM-42)

AMP UNIT(CWH1012)

IC. Q IC3 IC2 Q601 Q602 IC 1

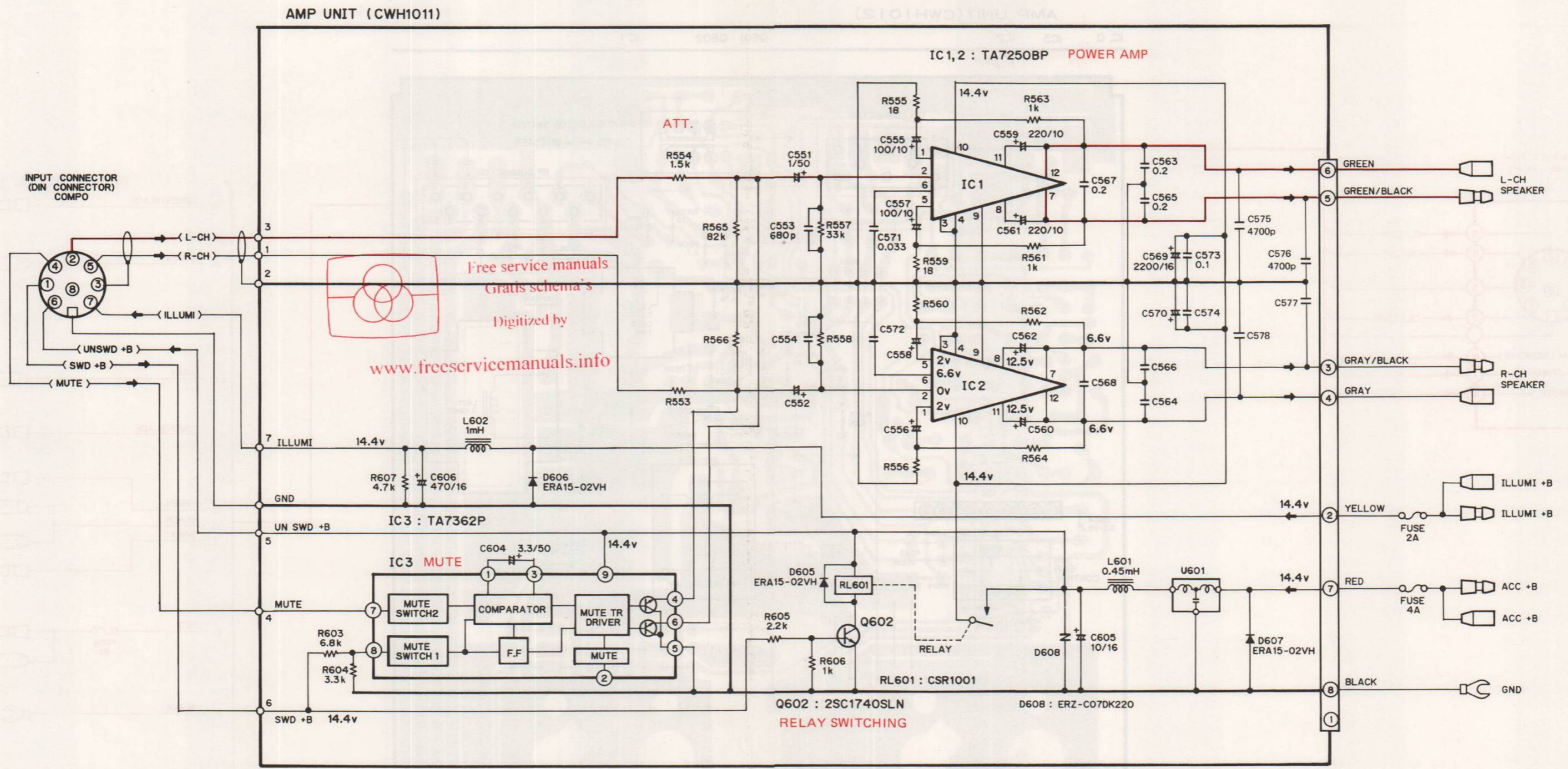


IC1, 2 : TA7250BP IC3 : TA7362P Q601 : 2SA1048-GR or 2SA933S Q602 : 2SC1740SLN
 D601 : SM-3-02 D602~604 : ISS133 D605~607 : ERA15-02VH D608 : ERZ-C07DK220

Fig. 6

SCHEMATIC CIRCUIT DIAGRAM (GM-41)

CONNECTION DIAGRAM (GM-42)



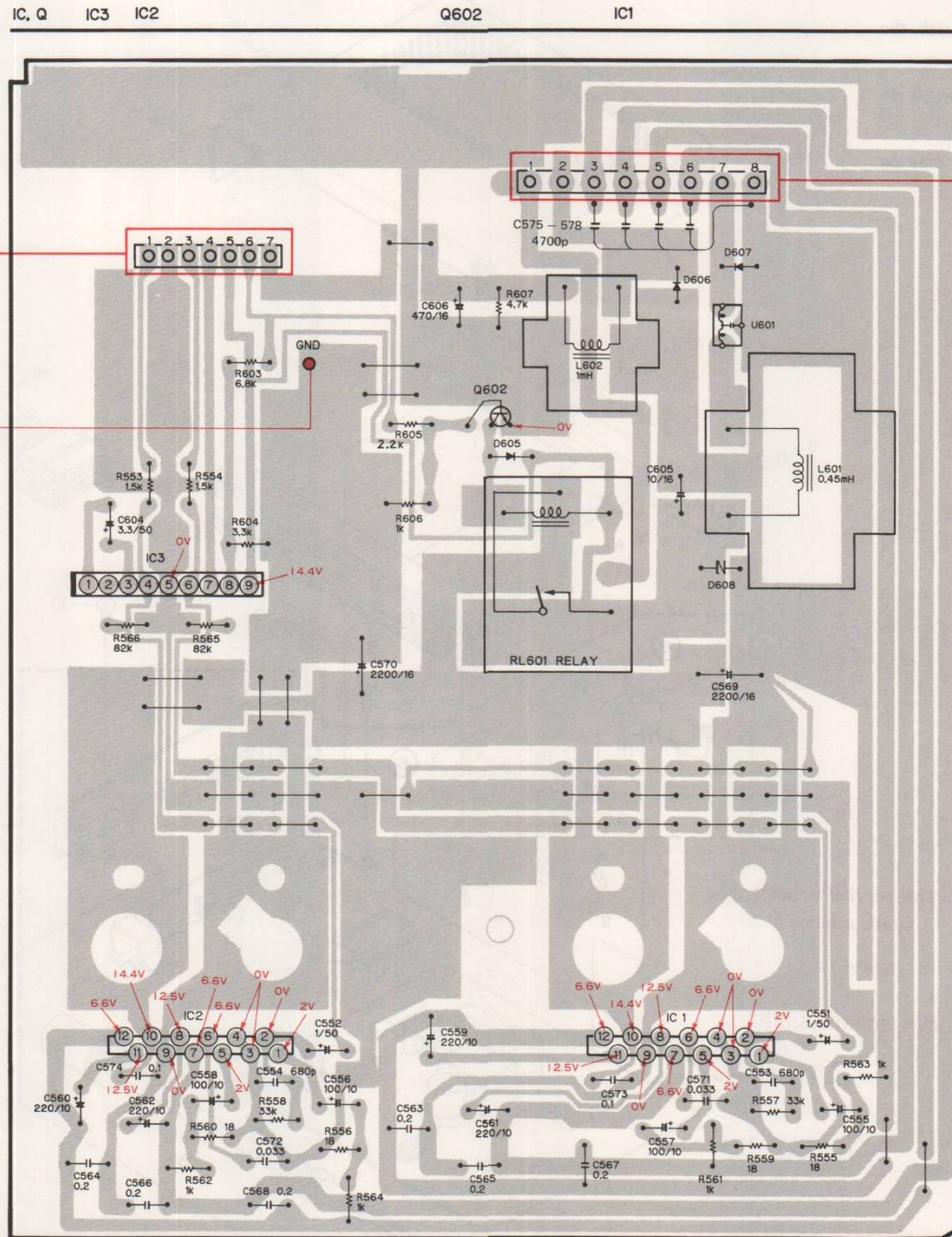
Free service manuals
 Gratis schema's
 Digitized by
 www.freeservicemanuals.info

Note:
 Connectors are illustrated with their heads facing the direction indicated by the arrows.

Fig. 7

CONNECTION DIAGRAM (GM-41)

AMP UNIT (CWH1011)



IC1, 2 : TA7250BP IC3 : TA7362P Q602 : 2SC1740SLN
 D605~607 : ERA15-02VH D608 : ERZ-C07DK220

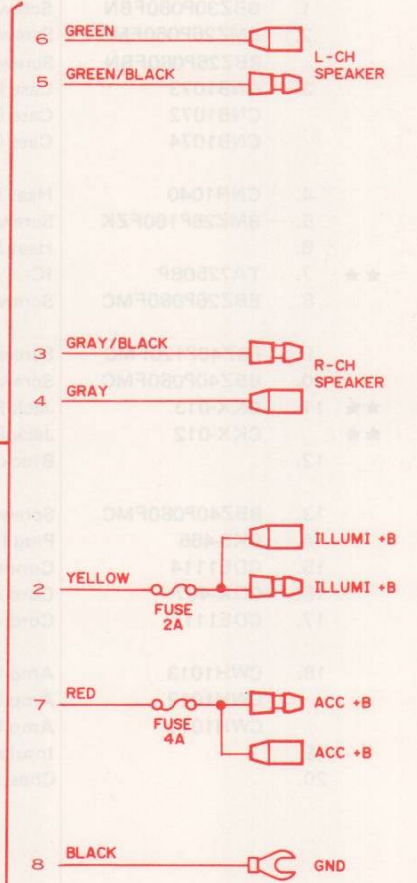
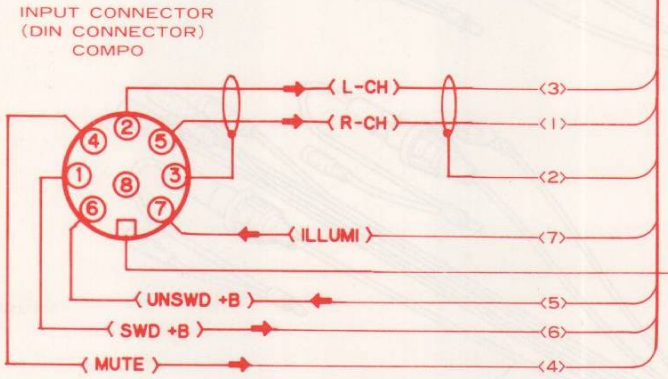


Fig. 8

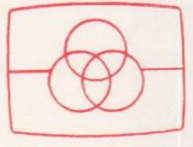
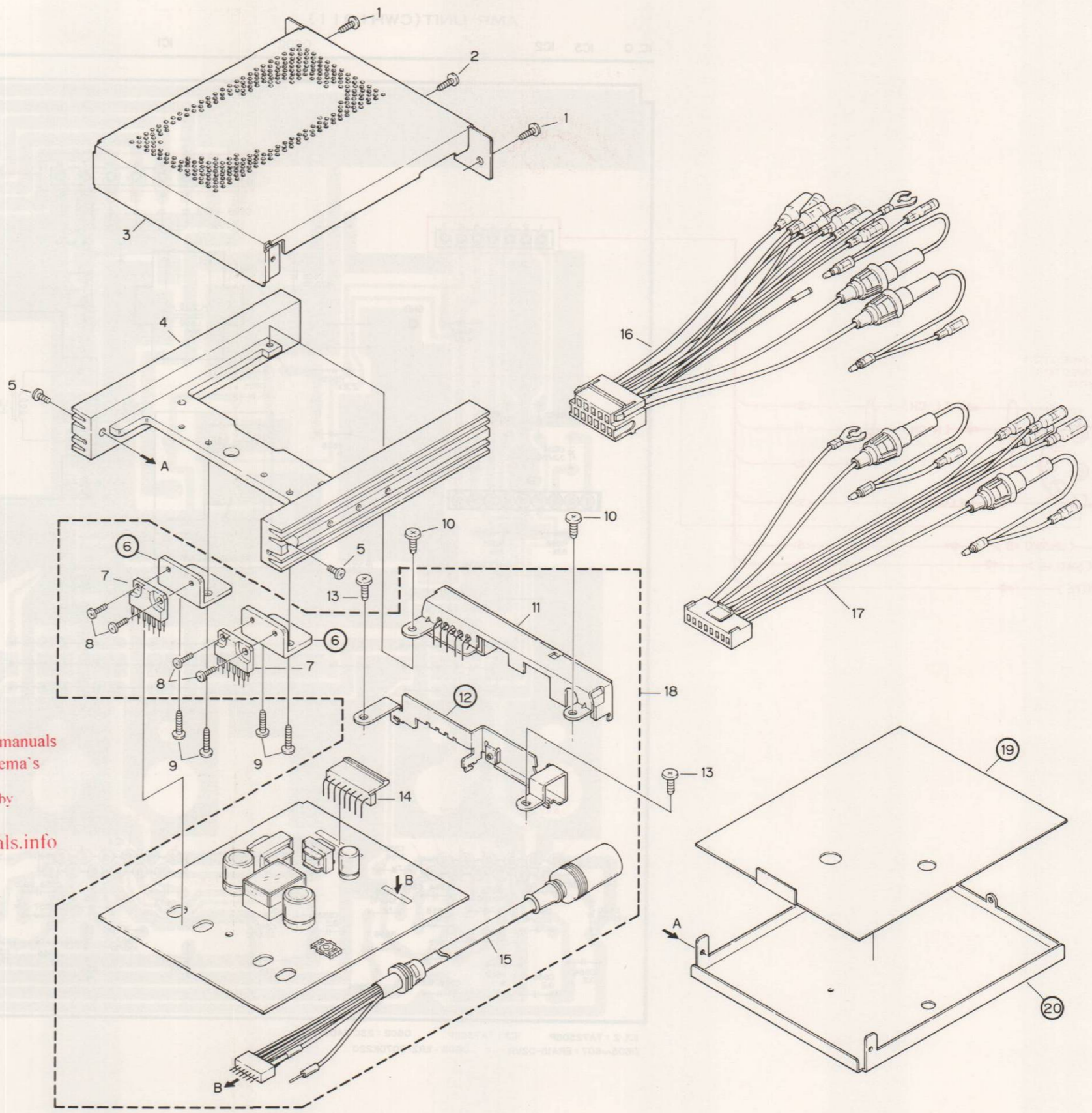
EXPLODED VIEW

Parts List

NOTE:

- For your parts Stock Control, the fast moving items are indicated with the marks ** and *.
- ** : GENERALLY MOVES FASTER THAN *.
- This classification shall be adjusted by each distributor because it depends on model number, temperature, humidity, etc.
- Parts whose parts numbers are omitted are subject to being not supplied.
- Parts marked by "●" are not always kept in stock. Their delivery time may be longer than usual or they may be unavailable.

Mark	No.	Part No.	Description
	1.	BBZ30P080FBN	Screw
	2.	BMZ26P060FMC	Screw (GM-41)
		BBZ26P080FBN	Screw (GM-43, GM42)
	3.	CNB1073	Case (GM-43)
		CNB1072	Case (GM-42)
		CNB1074	Case (GM-41)
	4.	CNR1040	Heat Sink
	5.	BMZ26P160FZK	Screw
	6.		Heat Sink Assy
**	7.	TA7250BP	IC
	8.	BBZ26P080FMC	Screw
	9.	PBZ40P120FMC	Screw
	10.	BBZ40P080FMC	Screw (GM-43, GM-42)
**	11.	CKX-013	Jack Plate (GM-43)
**	12.	CKX-012	Jack Plate (GM-42)
	12.		Bracket (GM-41)
	13.	BBZ40P080FMC	Screw (GM-41)
	14.	CKS-465	Plug (GM-41)
	15.	CDE1114	Connector (GM-41)
	16.	CDK-407	Cord Assy (GM-43, GM-42)
	17.	CDE1117	Cord Assy (GM-41)
	18.	CWH1013	Amp Unit (GM-43)
		CWH1012	Amp Unit (GM-42)
		CWH1011	Amp Unit (GM-41)
	19.		Insulator
	20.		Chassis



Free service manuals
 Gratis schema's
 Digitized by

www.freecservicemanuals.info

NOTE:

GM-43/US

	Serial No. 0001 - 6000	Serial No. 6001 -
Case	CNB-974	CNB1073
Heat Sink	CNR-272	CNR1040

Fig. 9