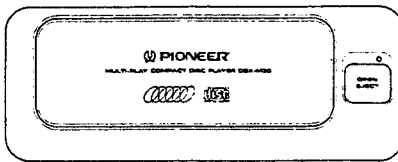


Service Manual

PIONEER
The Art of Entertainment

• CDX-M30



ORDER NO.
CRT1463

MULTI-PLAY COMPACT DISC PLAYER

CDX-M30

CDX-M33 US

UC, EW, ES

COMPACT
disc
DIGITAL AUDIO

CONTENTS

1. TRANSPORTATION SCREWS.....	2	10. CONNECTION DIAGRAM(2).....	48
2. SAFETY INFORMATION.....	3	11. SCHEMATIC CIRCUIT DIAGRAM(2).....	51
3. GENERAL GUIDE.....	4	12. CD MECHANISM UNIT EXPLODED VIEW.....	57
4. CONNECTING THE UNITS.....	4	13. CABINET EXPLODED VIEW.....	61
5. DISASSEMBLY.....	5	14. CHASSIS EXPLODED VIEW.....	62
6. BLOCK DIAGRAM.....	7	15. MAGAZINE EXPLODED VIEW.....	66
7. ADJUSTMENT.....	9	16. PACKING METHOD.....	67
8. CONNECTION DIAGRAM(1).....	41	17. ELECTRICAL PARTS LIST.....	69
9. SCHEMATIC CIRCUIT DIAGRAM(1).....	45	18. CIRCUIT DESCRIPTION.....	71

SPECIFICATIONS

General

System.....	Compact disc audio system
Usable discs.....	Compact Disc
Signal format.....	Sampling frequency: 44.1 kHz Number of quantization bits: 16; linear
Power source.....	14.4 V DC (10.8-15.6 allowable)
Max. current consumption.....	0.9 A
Weight.....	3.0 kg
Dimensions.....	200 (W) x 75 (H) x 295 (D) mm

Audio

Frequency characteristics.....	5-20,000 Hz (± 1 dB)
Signal-to-noise ratio.....	97 dB (1 kHz) (IEC-A Network)
Dynamic range.....	94 dB (1 kHz)
Output level.....	500 mV (1 kHz, 0 dB)
Number of channels.....	2 (stereo)

Note:

Specifications and the design are subject to possible modification without prior notice due to improvements.

PIONEER ELECTRONIC CORPORATION 4-1, Meguro 1-Chome, Meguro-ku Tokyo 153, Japan
PIONEER ELECTRONICS SERVICE INC. P.O. Box 1760, Long Beach, California 90801 U.S.A.
PIONEER ELECTRONICS OF CANADA, INC. 300 Allstate Parkway Markham, Ontario L3R 0P2 Canada
PIONEER ELECTRONIC (EUROPE) N.V. Haven 1087 Keetberglaan 1, 9120 Melsele, Belgium
PIONEER ELECTRONICS AUSTRALIA PTY. LTD. 178-184 Boundary Road, Braeside, Victoria 3195, Australia TEL: [03] 580-9911
© PIONEER ELECTRONIC CORPORATION 1992

FS FEB. 1992 Printed in Japan

● CD Player Service Precautions

1. Since these screws protect the mechanism during transport, be sure to affix it when it is transported for repair, etc.
2. For pickup unit handling, please refer to "Disassembly". During replacement, handling precautions shall be taken to prevent an electrostatic discharge (protection by a short pin).
3. During disassembly, be sure to turn the power off since an internal IC might be destroyed when a connector is plugged or unplugged.

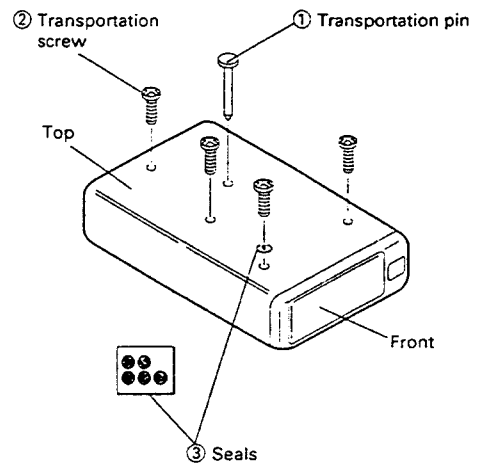
1. TRANSPORTATION SCREWS**Removal of Screws**

Be sure to remove transportation screws (red) ① and ② in this order and cover the screw holes with seals ③ before mounting the set. Peel off adhesive tape to remove the transportation pin ①. **The removed screws (red) and the pin will be required if you transport the player again later. Keep them in the bag for keeping transportation screws.**

Reinstallation of Screws

Be sure to reinstall the transportation screws (red) in the procedure described below before re-transporting the set. Incorrect order of reinstallation or use of different screws may cause the set to fail.

1. Let the set operate the beginning of a disc and stop operation within 10 seconds thereafter before removing the set.
 2. Remove the magazine and then the set.
 3. Reinstall the transportation screws in the reverse order (② and ①) of removal. Fasten the transportation pin ① with adhesive tape.
- Before screwing in the transportation screws, position the player vertically.



2. SAFETY INFORMATION

2.1 CDX-M30/EW

1. Safety Precautions for those who Service this Unit.

- Follow the adjustment steps (see pages 9 through 27) in the service manual when servicing this unit. When checking or adjusting the emitting power of the laser diode exercise caution in order to get safe, reliable results.

Caution:

1. During repair or tests, minimum distance of 13cm from the focus lens must be kept.
2. During repair or tests, do not view laser beam for 10 seconds or longer.

2. A "CLASS 1 LASER PRODUCT" label is affixed to the rear of the player.

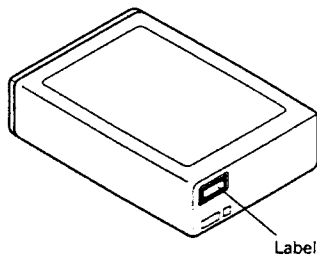


Fig. 1

3. The triangular label is attached to the mechanism unit frame.

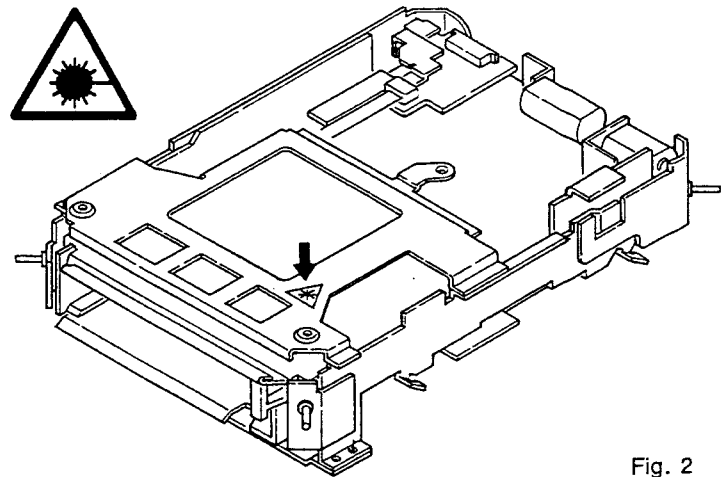


Fig. 2

4. Specifications of Laser Diode

Specifications of laser radiation fields to which human access is possible during service.

- Wavelength = 785 nanometers
- Radiant power = 69.7 microwatts (Through a circular aperture stop having a diameter of 80 millimeters)
- 0.55 microwatts (Through a circular aperture stop having a diameter of 7 millimeters)

2.2 CDX-M30/UC,CDX-M33/UC

CAUTION

This service manual is intended for qualified service technicians; it is not meant for the casual do-it-yourselfer. Qualified technicians have the necessary test equipment and tools, and have been trained to properly and safely repair complex products such as those covered by this manual.

Improperly performed repairs can adversely affect the safety and reliability of the product and may void the warranty. If you are not qualified to perform the repair of this product properly and safely, you should not risk trying to do so and refer the repair to a qualified service technician.

WARNING

Lead in solder used in this product is listed by the California Health and Welfare agency as a known reproductive toxicant which may cause birth defects or other reproductive harm (California Health & Safety Code, Section 25249.5). When servicing or handling circuit boards and other components which contain lead in solder, avoid unprotected skin contact with the solder. Also, when soldering do not inhale any smoke or fumes produced.

3. GENERAL GUIDE

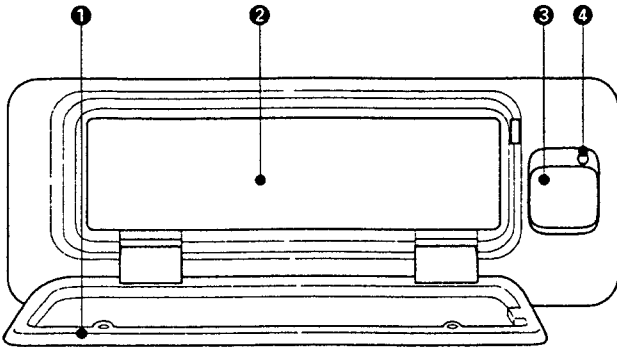


Fig. 3

1 Door

Be sure never to leave the door open.


2 Compact disc magazine slot

3 Door open/eject button

Press this button to open the door 1 and eject the magazine.

4 Clear button

If the power does not switch on or if the compact disc player does not operate when the button on the multi-CD controller is pressed, or if the multi-CD controller display is incorrect, press this button on the player with the tip of a pencil to restore normal operation. Always press the clear button on the multi-CD controller, too, after pressing this button.

The Magazine Type Multi-Play CD players with  mark and the Magazines with the same mark are compatible for 5-inch (12 cm) discs.

Precautions when using 8-cm (3-inch) CDs

- The magazine supplied with this CD player is for 12-cm (5-inch) CDs only. Do not put 8-cm (3-inch) CDs in the magazine, even with adapters, as they may cause a failure.
- To play 8-cm CDs, use the optional JD-M308 magazine, which holds six 8-cm CDs. The JD-M108 magazine for six 8-cm CDs cannot be used with this player.

4. CONNECTING THE UNITS

- Before mounting, remove the transportation screws (see page 2) and connect the units temporarily. Check that the units are connected correctly by operating the multi-CD controller.
- Be sure to properly connect the color-coded leads. Failure to do so can cause malfunctions.
- When connecting the cords, be sure to fix them firmly with clamps or tape. Be sure to protect the cords from damage by taping them at places where they will contact burr.
- After connection is complete, press the clear buttons on the player and the multi-CD controller with the tip of a pencil.
- Wire all connecting cords so that they stay well clear of high-temperature areas such as the heater outlet.
- Do not drill a hole into the engine compartment to connect the orange power cable directly to the battery.
- Be sure to connect the ground lead (black) to the vehicle body or some other metal part that is properly grounded to the chassis. If the ground lead is not properly connected, noise may occur or the player or multi-CD controller may not operate correctly.

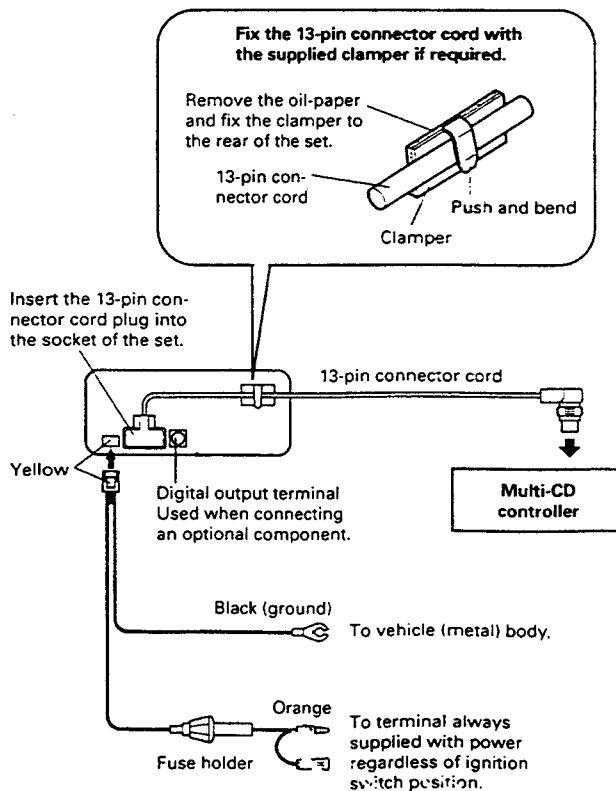


Fig. 4

5. DISASSEMBLY

● Case

1. Unfasten six screws A and then remove the upper case.
2. Unfasten four screws B and then remove the lower case.

● Grille Assy

1. Unlock four catches and dismount the grille assembly.

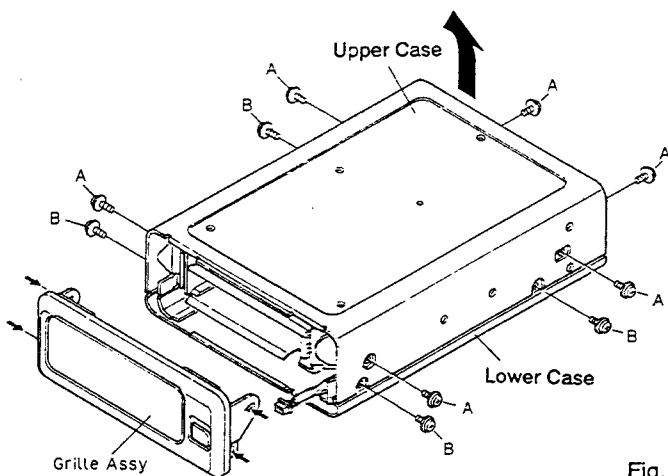


Fig. 5

● Chassis L,R

1. Unfasten four screws.
2. Disconnect two connectors and remove the sub chassis.
3. Remove the damper holder.
4. Remove the spring.
5. Remove chassis L.
6. Remove chassis R.

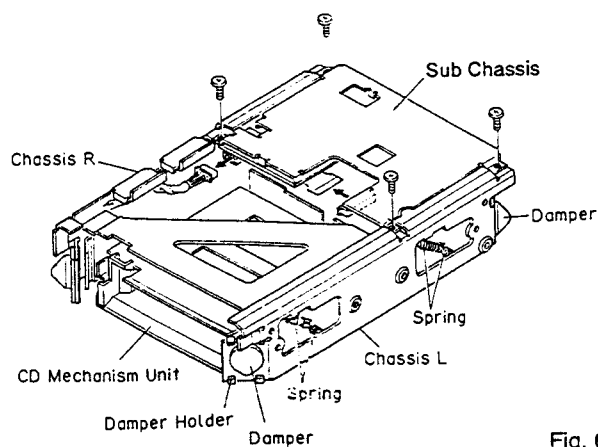


Fig. 6

● **CN351**

Before disconnecting the CN351 connector (PU unit connector), attach a short pin as illustrated.

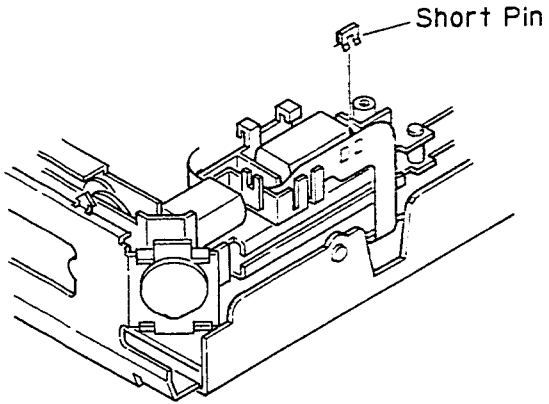


Fig. 7

6. BLOCK DIAGRAM

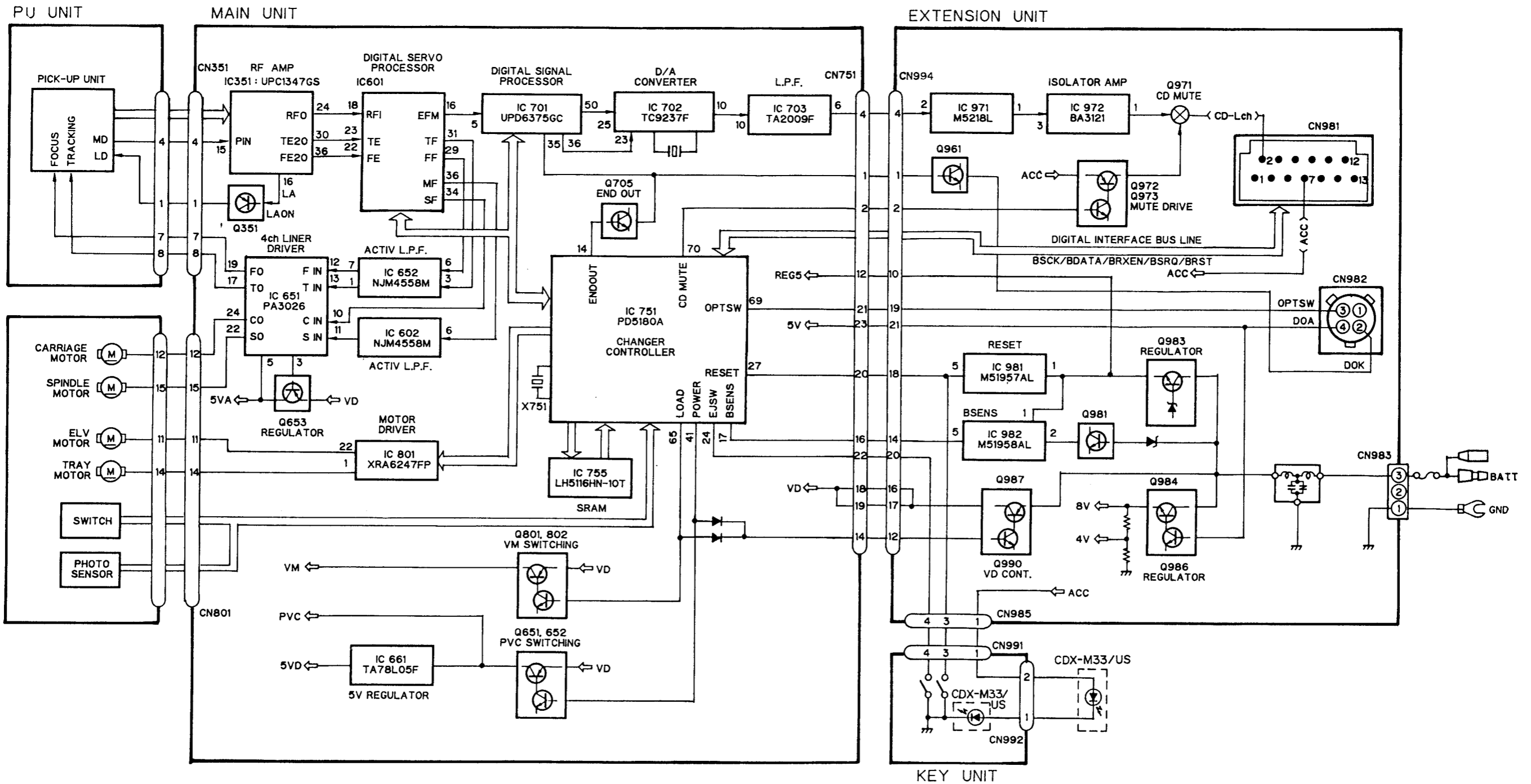


Fig. 8

7. ADJUSTMENT

1)Precautions

- This unit uses a single power supply (+5V) for the regulator. The signal reference potential, therefore, is connected to REFOUT (approx. 2.5V) instead of GND.

If REFOUT and GND are connected to each other by mistake during adjustments, not only will it be impossible to measure the potential correctly, but the servo will malfunction and a severe shock will be applied to the pick-up. To avoid this, take special note of the following.

Do not connect the negative probe of the measuring equipment to REFOUT and GND together. It is especially important not to connect the channel 1 negative probe of the oscilloscope to REFOUT with the channel 2 negative probe connected to GND.

And since the frame of the measuring instrument is usually at the same potential as the negative probe, change the frame of the measuring instrument to floating status.

If by accident REFOUT comes in contact with GND, immediately switch the regulator or power OFF.

- Always make sure the regulator is OFF when connecting and disconnecting the various filters and wiring required for measurements.
- Before proceeding to further adjustments and measurements after switching regulator ON, let the player run for about one minute to allow the circuits to stabilize.
- Since the protective systems in the unit's software are rendered inoperative in test mode, be very careful to avoid mechanical and/or electrical shocks to the system when making adjustment.
- When loading and unloading discs during adjustment procedures, always wait for the disc to be properly clamped or ejected before pressing the another key. Otherwise, there is risk of the actuator being destroyed.
- Turn power off when pressing the button **▶▶** or the button **◀◀** key for focus search in the test mode. (Or else lens may stick and the actuator may be damaged.)

2)Test mode

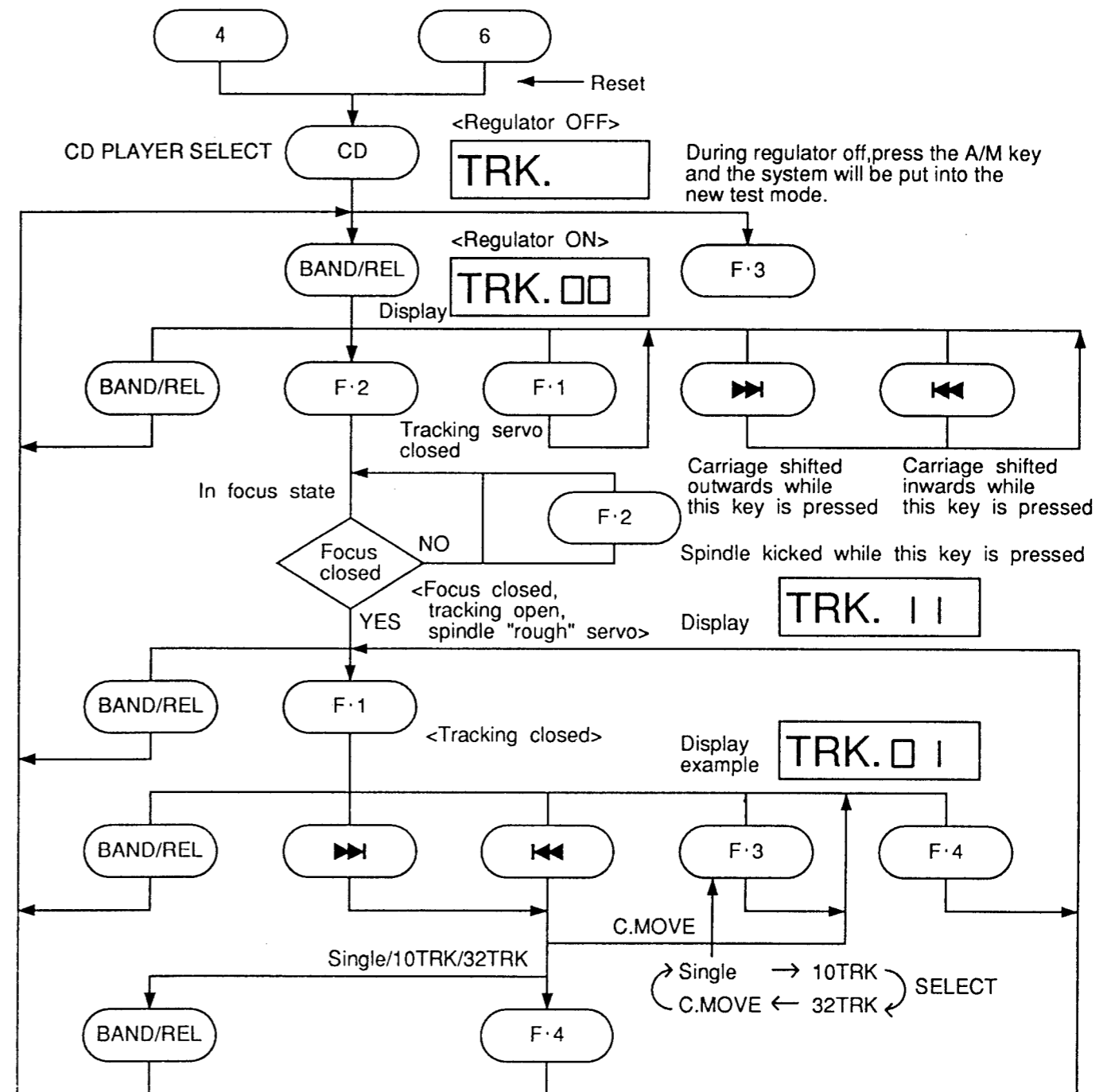
The model CDX-M30, M33 is adjusted in a combination with the multiple CD control head (FH-M75, FH-M70, DEH-M980RDS, etc.). Each regulator key should be operated at the head. With the FH-M75, M70 taken up for reference, a description will be given below concerning how to enter into the test mode, including key operations. The key in the adjustment text is also one of the FH-M75, M70 keys.

- How to enter into the test mode**
While pressing keys 4 and 6 at a time, press the back-up ON or clear button ON the FH-M75, M70.
- Resetting the test mode**
Press the clear button ON the FH-M75, M70. Subsequently press the clear button ON the CDX-M30, M33. Or turn off the CDX-M30, M33 and the FH-M75, M70 back-up and wait for about one minute.
- Role to be played by each key in the test mode**
A function key permits you to select the CD multi-player, single CD player, deck, TV or tuner.

Key	Function
BAND/REL	Regulator ON/OFF
▶▶	FWD Kick
◀◀	REV Kick
EJECT	EJECT
F·3	Jump mode
F·1	Tracking close
F·4	Tracking open
F·2	Focus close
CD	CD ON/OFF

- SINGLE/10TRK/32TRK will continue to operate even after the key is released. Tracking closed the moment C-MOVE is released.
- JUMP MODE resets to SINGLE as soon as power is off.

Flow Chart



● Measuring Equipment and Jigs

Adjustment	<ul style="list-style-type: none"> • Measuring equipment&jigs
Grating Adjustment	<ul style="list-style-type: none"> • Oscilloscope,clock driver,grating adjustment filter (bandpass filter)(GGF133),AC millivoltmeter • SONY TYPE 4 (or TYPE 3) • Extension Cable:GGF1157,GGF1158 • DIN Cord:GGF1159 •Relay P.C.Board:GGF1156
Tangential Skew Check	<ul style="list-style-type: none"> •Oscilloscope,screwdriver •SONY TYPE 4 (or TYPE 3) • Extension Cable:GGF1157,GGF1158 • DIN Cord:GGF1159 • Relay P.C.Board:GGF1156
Grating Adjustment	<ul style="list-style-type: none"> • Oscilloscope,clock driver,two low-pass filters • SONY TYPE 4 (or TYPE 3) • Extension Cable:GGF1157,GGF1158 • DIN Cord:GGF1159 •Relay P.C.Board:GGF1156
FE Bias Adjustment	<ul style="list-style-type: none"> Oscilloscope,volume adjustment driver SONY TYPE 4 (or TYPE 3) • Extension Cable:GGF1157,GGF1158 • DIN Cord:GGF1159 •Relay P.C.Board:GGF1156
RF Offset Adjustment	<ul style="list-style-type: none"> Oscilloscope,volume adjustment driver SONY TYPE 4 (or TYPE 3) • Extension Cable:GGF1157,GGF1158 • DIN Cord:GGF1159 •Relay P.C.Board:GGF1156
TE Offset Adjustment-1	<ul style="list-style-type: none"> DC voltmeter or oscilloscope,volume adjustment driver • Extension Cable:GGF1157,GGF1158 • DIN Cord:GGF1159 •Relay P.C.Board:GGF1156
Tracking Balance Adjustment-1	<ul style="list-style-type: none"> Oscilloscope,volume adjustment driver SONY TYPE 4 (or TYPE 3) • Extension Cable:GGF1157,GGF1158 • DIN Cord:GGF1159 •Relay P.C.Board:GGF1156
Focus Servo Loop Gain Adjustment	<ul style="list-style-type: none"> Oscillator,gain adjustment filter (GGF-065),Oscilloscope, dual meter milli-voltmeter,volume adjustment driver SONY TYPE 4 (or TYPE 3) • Extension Cable:GGF1157,GGF1158 • DIN Cord:GGF1159 •Relay P.C.Board:GGF1156
Tracking Servo Loop Gain Adjustment	<ul style="list-style-type: none"> Oscillator,gain adjustment filter (GGF-065),Oscilloscope, dual meter milli-voltmeter,volume adjustment driver SONY TYPE 4 (or TYPE 3) • Extension Cable:GGF1157,GGF1158 • DIN Cord:GGF1159 •Relay P.C.Board:GGF1156
TE Offset Adjustment-2	<ul style="list-style-type: none"> DC voltmeter,volume adjustment driver • Extension Cable:GGF1157,GGF1158 • DIN Cord:GGF1159 •Relay P.C.Board:GGF1156
Tracking Balance Adjustment-2	<ul style="list-style-type: none"> Oscilloscope,volume adjustment driver SONY TYPE 4 (or TYPE 3) • Extension Cable:GGF1157,GGF1158 • DIN Cord:GGF1159 •Relay P.C.Board:GGF1156

● Adjustment Points

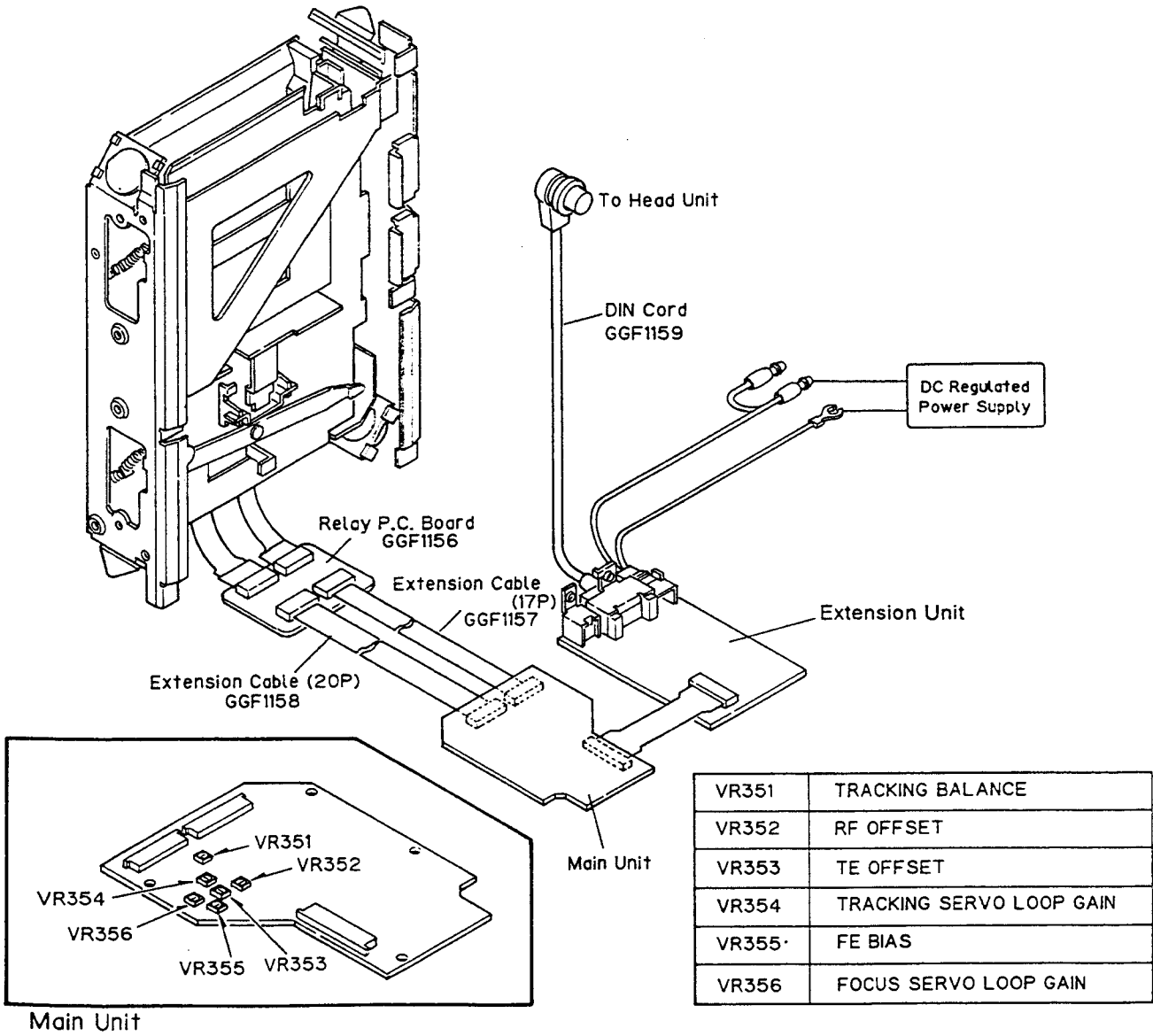


Fig. 9

7.1 Grating Adjustment (Rough adjustment)

- Purpose: The grating may need adjustment in a replaced pick-up unit.
- Maladjustment symptoms: No disc playback; track jumping.

- | | |
|---|--|
| <ul style="list-style-type: none"> • Measuring equipment / jigs • Measuring point • Test disc and setting • Adjustment position | <ul style="list-style-type: none"> • Oscilloscope, clock driver, grating adjustment filter (bandpass filter)(GGF-133), AC millivoltmeter • TEY • SONY TYPE 4 (or TYPE 3) • Test mode • Pick-up grating adjustment hole |
|---|--|

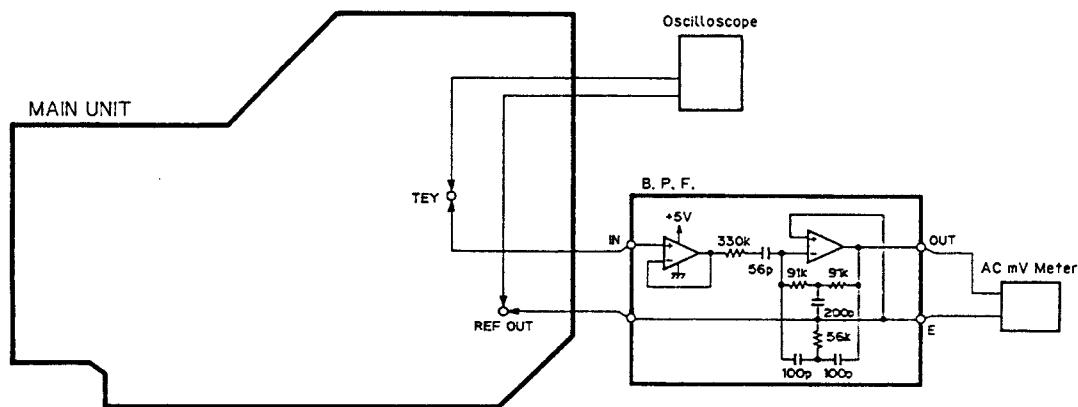
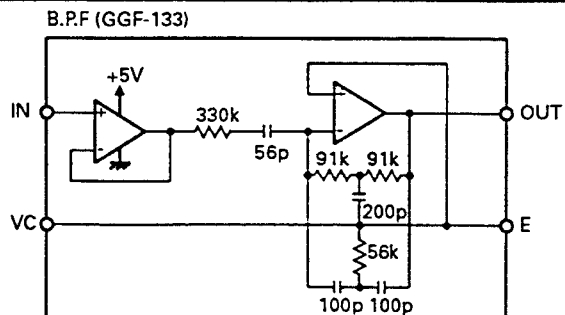


Fig. 10

Adjustment Procedure

1. In the test mode, set a test desc-loaded magazine and select the tray with a test disc.
2. Switch regulator ON.
3. Using the ►► or ◀◀ key, move the pick-up to about the center of the test disc.
4. Press the F-2 key to close focus.
5. While monitoring the TEY filter output by AC milli-voltmeter, turn the grating adjustment hole slowly. The AC voltage increases and decreases while turning the screw. Search for the minimum voltage level. (This corresponds to the position where the grating is on a track, and is referred to as the null point.)
6. Then while monitoring TEY by oscilloscope, turn the driver slowly clockwise from the null point (as seen from under the pick-up) until the first waveform peak amplitude is reached.



7.2 Tangential Skew Check

- Purpose: To check whether tangential skew has been misaligned or not when replacing the pick-up unit.
- Maladjustment symptoms: No disc playback, track jumping.

<ul style="list-style-type: none"> • Measuring equipment / jigs • Measuring point • Test disc and setting • Adjustment position 	<ul style="list-style-type: none"> • Oscilloscope, screwdriver • RFO • SONY TYPE 4 (or TYPE 3) • Normal mode • Pick-up tangential adjustment screw
---	---

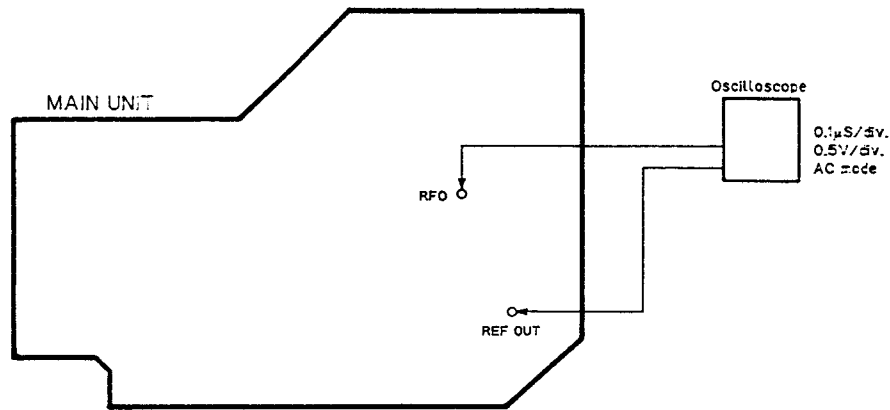


Fig.11

Adjustment Procedure

1. Play tune TNO 12 in normal mode. (TYPE 3: TNO 14)
2. Adjust the tangential adjustment screw so that the RF wave-form will have a level maximized and an eye pattern clearly viewed. Turn the adjustment screw both clockwise and counterclockwise to points where the eye pattern deteriorates, and take the midway point as the adjustment point. As a general guide, look for an overall clear wave-form, and one of the diamond shapes in the eye pattern. The diamond shapes should appear in fine lines at the point of optimum adjustment. Take care not to knock the pick-up with the screwdriver at this stage. (This kind of accident can result in loss of focus.) (See Fig.12,13)
3. Apply "screw-lock" to the tangential adjustment screw.
4. After adjusting tangential skew, also adjust the grating.

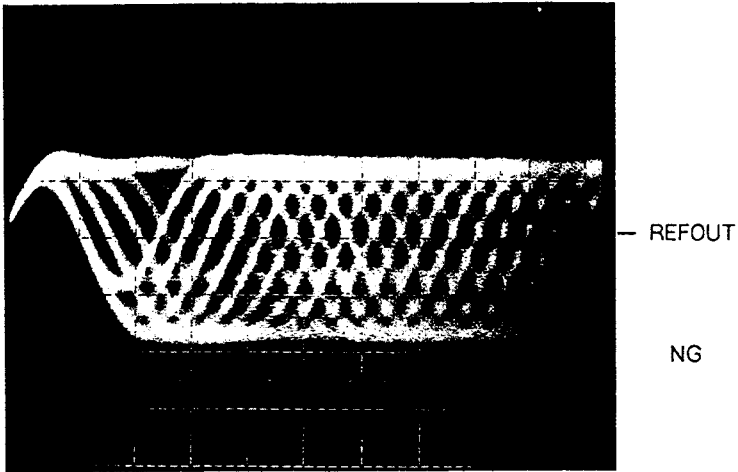


Fig. 12

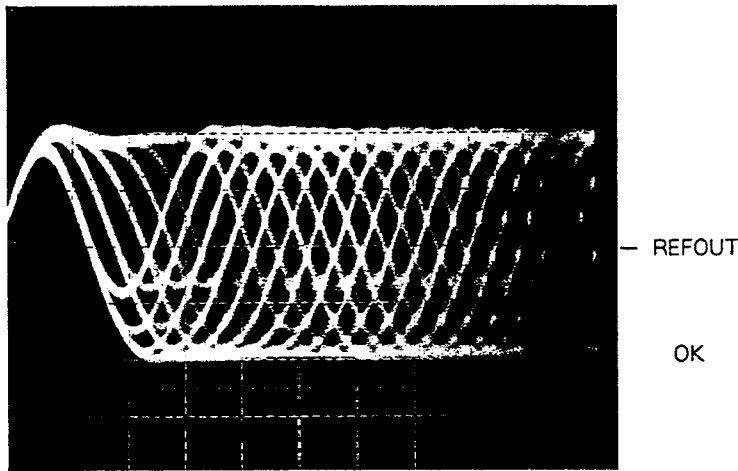


Fig. 13

0.5V/div.
0.5 μ s/div.
DC mode

7.3 Grating Adjustment (Fine adjustment)

- Purpose: The grating may need adjustment in a replaced pick-up unit.
- Maladjustment symptoms: No disc playback, track jumping.

- | | |
|---|---|
| <ul style="list-style-type: none"> • Measuring equipment / jigs • Measuring point • Test disc and setting • Adjustment position | <ul style="list-style-type: none"> • Oscilloscope, clock driver, two low-pass filters • E LPF output, F LPF output • SONY TYPE 4 (or TYPE 3) • Test mode • Pick-up grating adjustment hole |
|---|---|

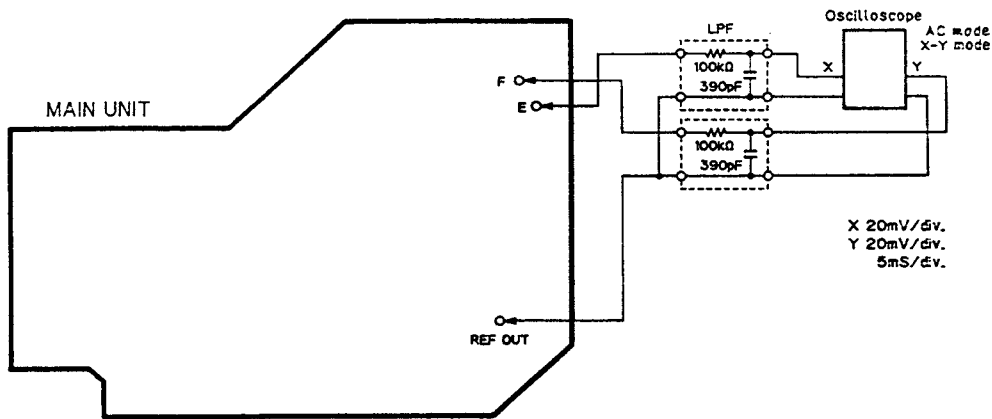


Fig.14

Adjustment Procedure

1. Connect a low-pass filter as shown in the above diagram.
2. Switch regulator ON in test mode, and load a disc.
3. Using the ►► or ◄◄ key, move the pick-up to about the center of the test disc.
4. Press the F•2 key to close focus.
5. Using the driver, adjust the Lissajous figure to a single line (or as close as possible).
6. Switch regulator OFF and remove the filters.

TEY waveform 5ms/div, 500mV/div

Nul Point

Lissajous figure (AC input)
Horizontal axis E 20mV/div
Vertical axis F 20mV/div

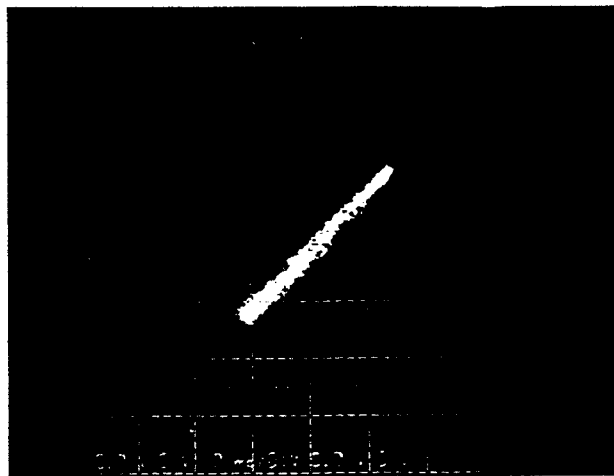
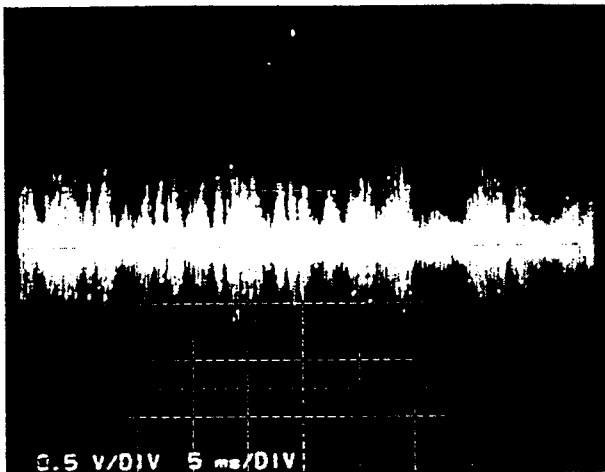


Fig. 15

Fig. 16



"Rough" adjustment

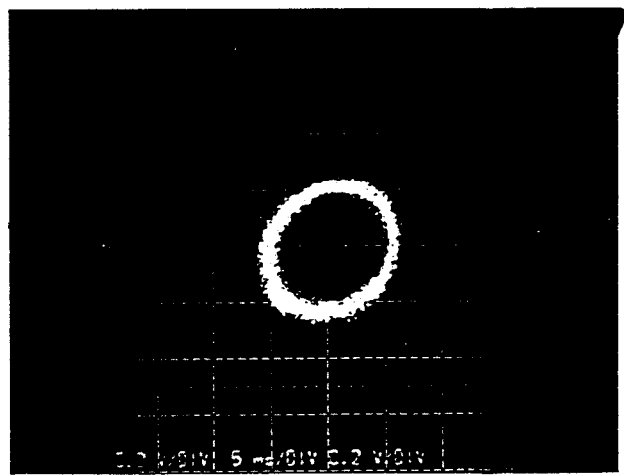
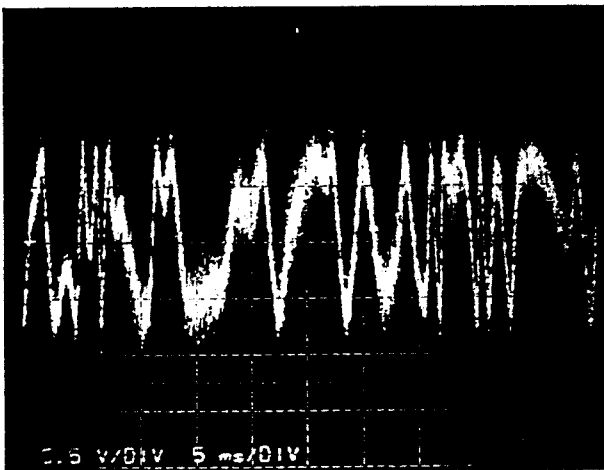


Fig. 17

Fig. 18



Final adjustment

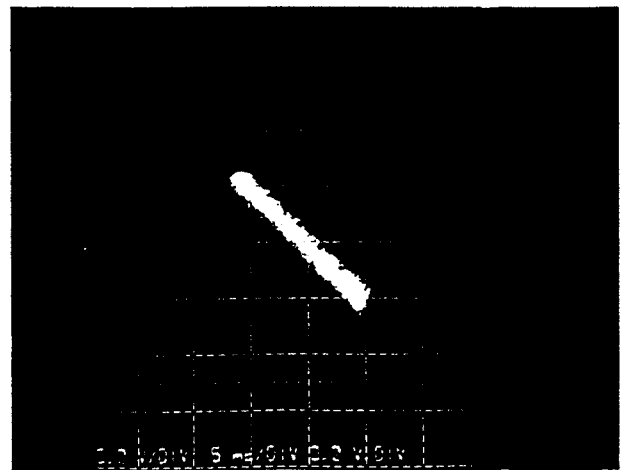
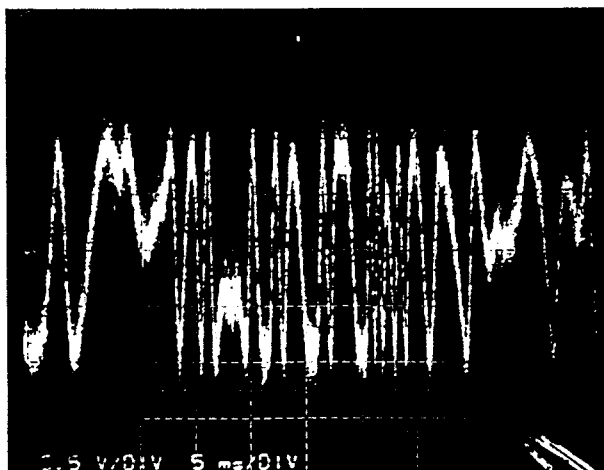


Fig. 19

Fig. 20

7.4 FE Bias Adjustment

- Purpose: To adjust the focus servo bias to an optimum value.
- Maladjustment symptoms: Focus closing difficulty, poor playability.

- | | |
|---|--|
| <ul style="list-style-type: none"> • Measuring equipment / jigs • Measuring point • Test disc and setting • Adjustment position | <ul style="list-style-type: none"> • Oscilloscope, volume adjustment driver • RFO • SONY TYPE 4 (or TYPE 3) • Normal mode • VR355(FEB) |
|---|--|

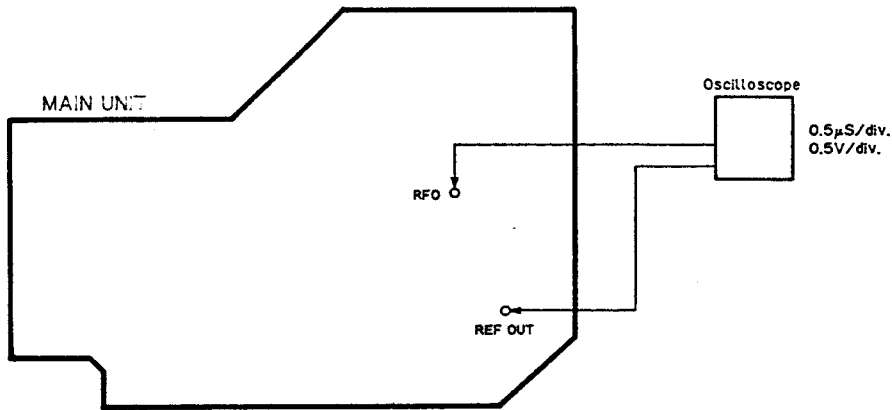


Fig.21

Adjustment Procedure

1. Play tune TNO 12 in normal mode.(TYPE 3:TNO 14)
2. Observe RFO in respect to REFOUT in the oscilloscope, and adjust VR355(FEB) to obtain maximum RF and optimum eye pattern. (See Fig.22,23)

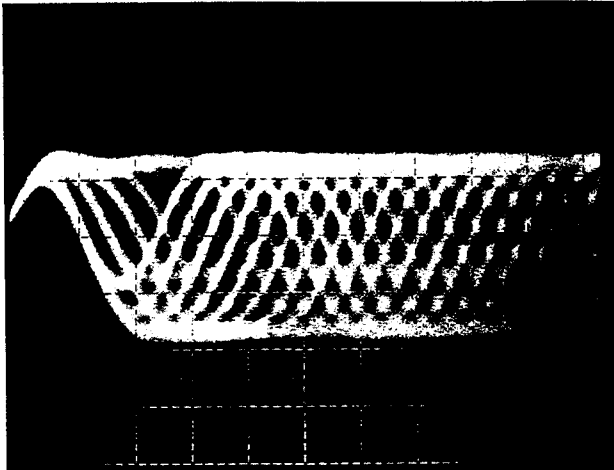


Fig. 22

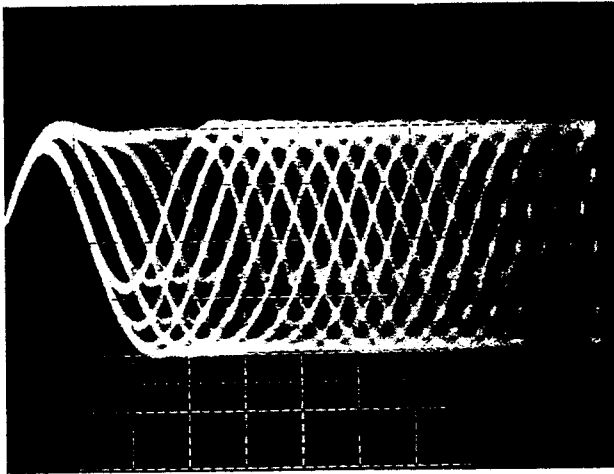


Fig. 23

0.5V/div.
0.5 μs/div.
DC mode

7.5 RF Offset Adjustment

- Purpose: To adjust the RF amplifier offset to a suitable value.
- Maladjustment symptoms: Focus closure fails readily.

- | | |
|---|--|
| <ul style="list-style-type: none"> • Measuring equipment / jigs • Measuring point • Test disc and setting • Adjustment position | <ul style="list-style-type: none"> • Oscilloscope, volume adjustment driver • RFO • SONY TYPE 4 (or TYPE 3) • Normal mode • VR352(RFO) |
|---|--|

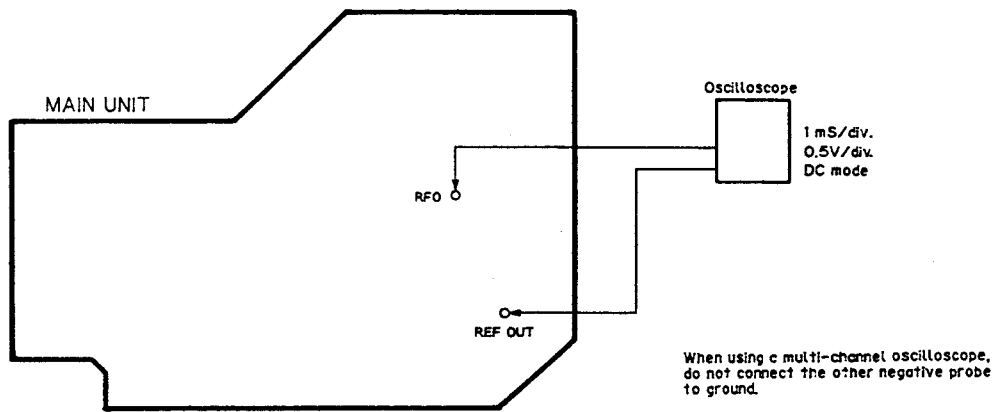
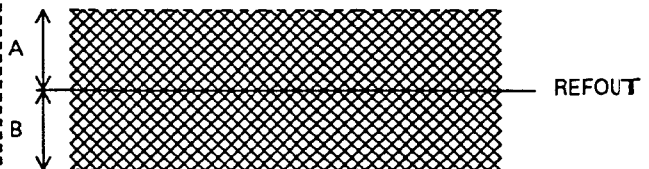


Fig.24

Adjustment Procedure

1. Play tune TNO 12 in normal mode. (TYPE 3:TNO 14)
2. Use VR352 to adjust the RFO waveform so that REFOUT appears at the center. (A-B must not exceed 100 mV.)



7.6 TE Offset Adjustment-1

- Purpose: To adjust the electrical offset of the tracking servo to zero.
- Maladjustment symptoms: Search times too long, carriage run-away.

- | | |
|---|---|
| <ul style="list-style-type: none"> • Measuring equipment / jigs • Measuring point • Test disc and setting • Adjustment position | <ul style="list-style-type: none"> • DC voltmeter or oscilloscope, volume adjustment driver • TEY • Empty magazine • Test mode • VR353(TEO) |
|---|---|

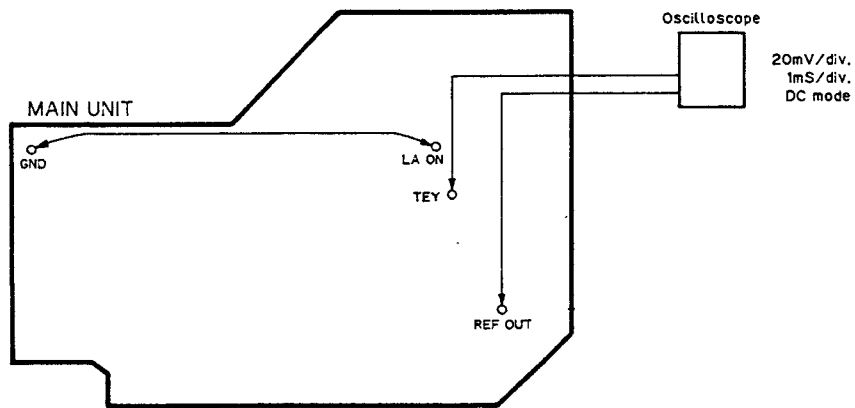


Fig.25

Adjustment Procedure

1. Connect LAON to GND.
2. Switch regulator ON while in test mode.
3. Using VR353(TEO), adjust the TEY output DC voltage in reference to REFOUT to a value of $0 \pm 25\text{mV}$.
4. Switch regulator OFF.
5. Remove LAON to GND.

7.7 Tracking Balance Adjustment-1

- Purpose: To adjust the tracking servo offset to zero.
- Maladjustment symptoms: Search times too long, poor playability, carriage run-away.

- | | |
|---|--|
| <ul style="list-style-type: none"> • Measuring equipment / jigs • Measuring point • Test disc and setting • Adjustment position | <ul style="list-style-type: none"> • Oscilloscope, volume adjustment driver • TEY (Tracking error signal) • SONY TYPE 4 (or TYPE 3) • Test mode • VR351(T.BAL) |
|---|--|

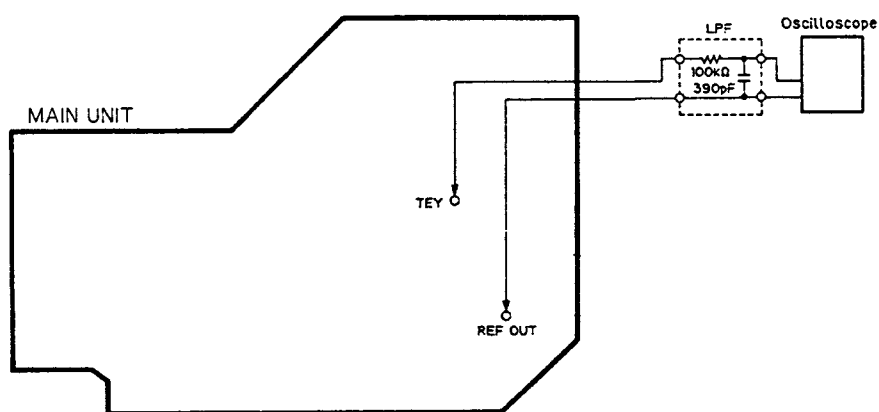


Fig.26

Adjustment Procedure

1. After checking that regulator is OFF, connect the low-pass filter as shown in the diagram.
2. Set the test disc (SONY TYPE 4). Switch regulator ON.
3. Using the ►► or ◄◄ key, move the pick-up to about the center of the signal surface.
4. Press the F-2 key to close focus.
5. Using an oscilloscope, observe the TEY signal in respect to REFOUT. Then adjust VR351(T.BAL) to set the positive and negative amplitudes to the same levels. (See Fig.27-29)
6. Switch the power OFF.

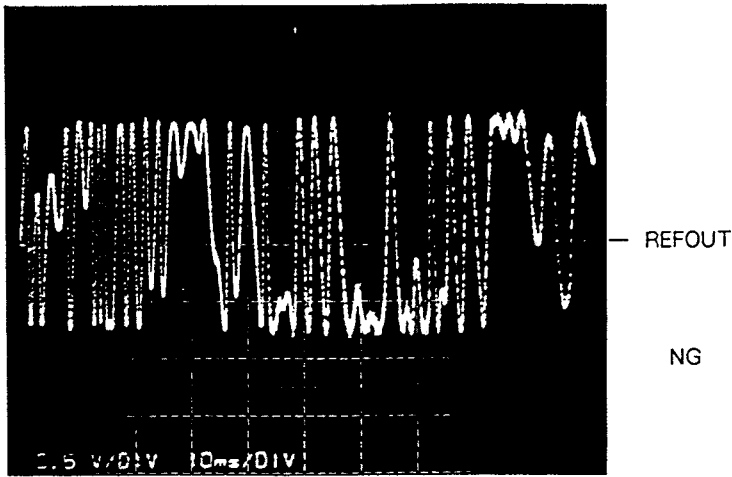


Fig. 27

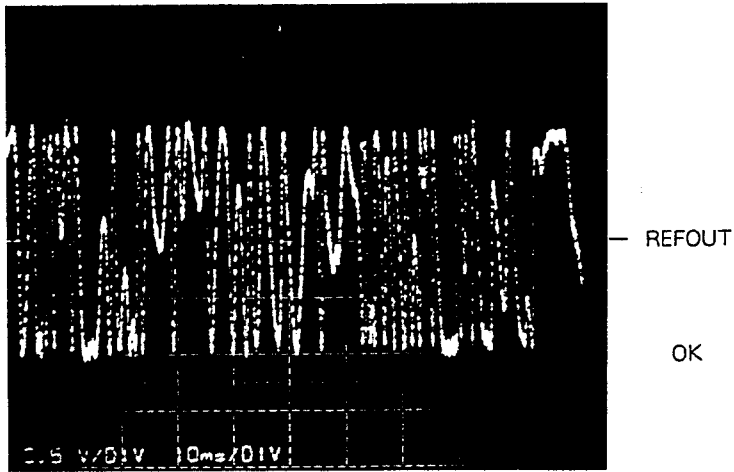


Fig. 28

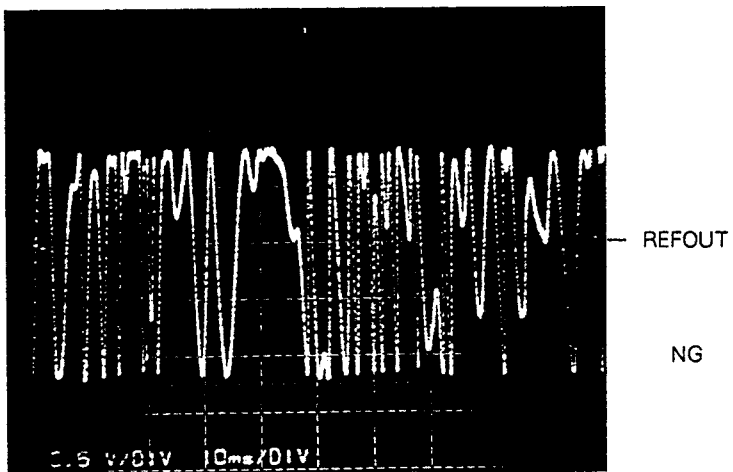


Fig. 29

7.8 Focus Servo Loop Gain Adjustment

- Purpose: To adjust the focus servo loop gain to an optimum value.
- Maladjustment symptoms: Poor playability, reduced resistance to vibration, focus closure fails readily.

- | | |
|---|--|
| <ul style="list-style-type: none"> • Measuring equipment / jigs • Measuring point • Test disc and setting • Adjustment position | <ul style="list-style-type: none"> • Oscillator, gain adjustment filter (GGF-065), dual meter milli-voltmeter, oscilloscope, volume adjustment driver • FEX, FEY • SONY TYPE 4 (or TYPE 3) • Normal mode • VR356(FG) |
|---|--|

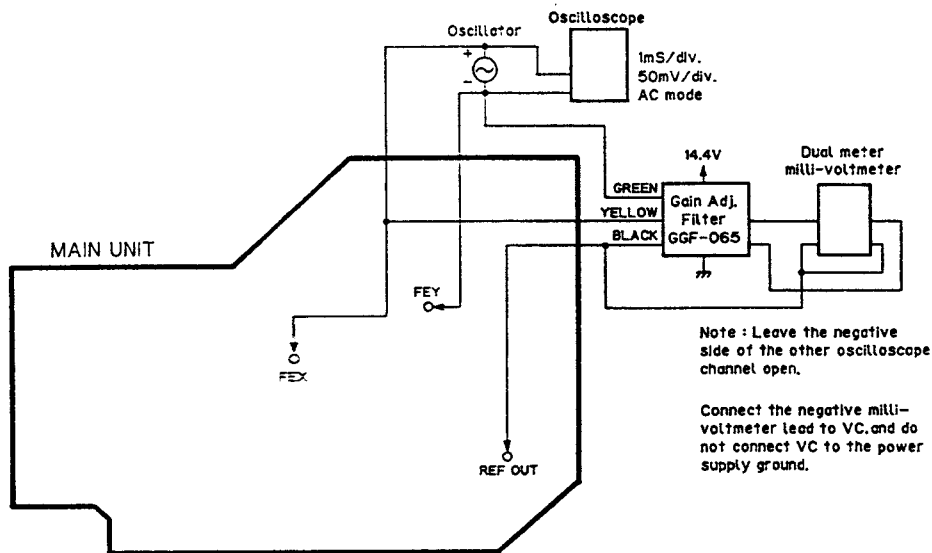


Fig.30

Adjustment Procedure

1. After checking that the power is OFF, connect the gain adjustment filter and measuring equipment as shown in the above diagram.
2. Play tune TNO 12 in normal mode. (TYPE 3:TNO 14)
3. Set the oscillator to 1kHz, and observe the FEX/FEY output in the oscilloscope. Adjust the oscillator output to obtain a FEX/FEY output of 100mVp-p.
4. Adjust VR356(FG) to obtain a milli-voltmeter difference of 0 ± 0.5 dB.

7.9 Tracking Servo Loop Gain Adjustment

- Purpose: To adjust the tracking servo loop gain to an optimum value.
- Maladjustment symptoms: Poor playability, reduced resistance to vibration.

- | | |
|---|--|
| <ul style="list-style-type: none"> • Measuring equipment / jigs • Measuring point • Test disc and setting • Adjustment position | <ul style="list-style-type: none"> • Oscillator, gain adjustment filter (GGF-065), dual meter milli-voltmeter, oscilloscope, volume adjustment driver • TEX, TEY • SONY TYPE 4 (or TYPE 3) • Normal mode • VR354(TG) |
|---|--|

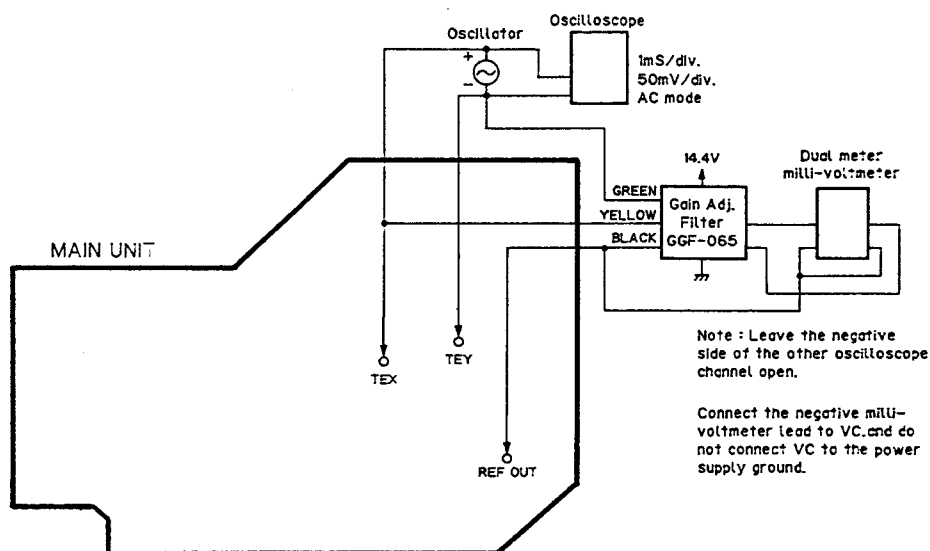


Fig.31

Adjustment Procedure

1. After checking that the power is OFF, connect the gain adjustment filter and measuring equipment as shown in the above diagram.
2. Play tune TNO 12 in normal mode. (TYPE 3:TNO 14)
3. Set the oscillator to 1.4kHz, and observe the TEX/TEY output in the oscilloscope. Adjust the oscillator output to obtain a TEX/TEY output of 300mVp-p.
4. Adjust VR354(TG) to obtain a milli-voltmeter difference of 0 ± 0.5 dB.

7.10 TE Offset Adjustment-2

<ul style="list-style-type: none"> • Purpose: To adjust the electrical offset of the tracking servo to zero. • Maladjustment symptoms: Search times too long, carriage run-away. 	
<ul style="list-style-type: none"> • Measuring equipment / jigs • Measuring point • Test disc and setting • Adjustment position 	<ul style="list-style-type: none"> • DC voltmeter, volume adjustment driver • TEY • No Disc • Test mode • VR353
<p>Adjustment Procedure</p> <p>Same as for TE offset adjustment-1, but with the DC voltage of the TEY output adjusted to $0 \pm 50\text{mV}$. The purpose of this additional adjustment is to correct any deviations generated when carrying out the tracking balance and tracking servo loop gain adjustments after completing TE offset adjustment-1.</p>	

7.11 Tracking Balance Adjustment-2

- Purpose: To adjust the tracking servo offset to zero.
- Maladjustment symptoms: Search times too long, poor playability, carriage run-away.

- | | |
|---|---|
| <ul style="list-style-type: none"> • Measuring equipment / jigs • Measuring point • Test disc and setting • Adjustment position | <ul style="list-style-type: none"> • Oscilloscope, volume adjustment driver • TEY • SONY TYPE 4 (or TYPE 3) • Test mode • VR351 |
|---|---|

Adjustment Procedure

Steps 1 thru 5 same as tracking balance adjustment-1.

6. Check that the level difference between the positive and negative amplitudes of the TEY signal is within 5% (See Fig.27-29). If greater than 5%, adjust with VR351.

7. If further adjustment was necessary in step 6, repeat TE offset adjustment-2.

• ICs

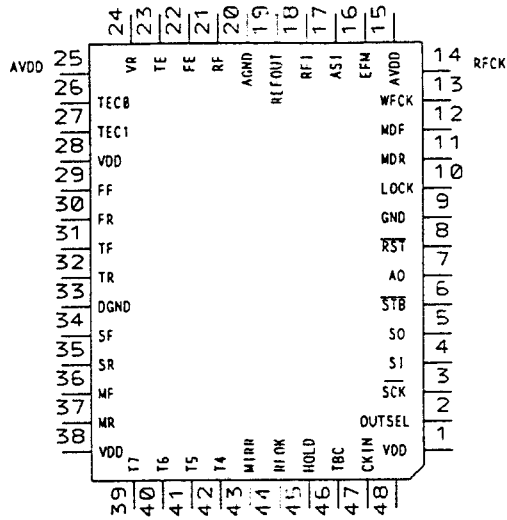
IC351 : UPC1347GS

VCC	1	36	FE20
BP	2	35	FE2-
BPO	3	34	FE10
WC+	4	33	FE1+
WC-	5	31	FE2+
GND	6	32	VREF2
QDH	7	30	TE20
QDO	8	29	TE2-
A	9	28	TE10
C	10	27	APCO
B	11	26	TE2+
D	12	25	APC-
E	13	24	RFO
F	14	23	NC
PIN	15	22	RF-
LA	16	21	RFS
LAON	17	20	RF+
VREF1	18	19	GND2

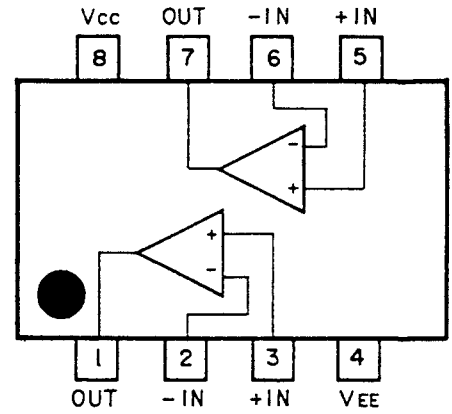
• Pin Functions (UPC1347GS)

Pin No	Pin Name	I/O	Function and Operation
1	VCC		
2	BP-	Input	Vibration detect amplifier 1 inverter input
3	BPO	Output	Vibration detect amplifier 1 output
4	WC+	Input	Window comparator non-inverting input
5	WC-	Input	Window comparator inverter input
6	GND		GND
7	QDH	Input	Vibration detect amplifier 3 non-inverting input
8	QDO	Output	Vibration detect amplifier 3 output
9	A	Input	A signal input
10	C	Input	C signal input
11	B	Input	B signal input
12	D	Input	D signal input
13	E	Input	E signal input
14	F	Input	F signal input
15	PIN	Input	APC circuit PD amplifier input
16	LA	Output	APC circuit LD amplifier output
17	LAON		Laser diode ON/OFF switching
18	VREF1		Reference voltage
19	GND2		GND
20	RF+	Input	RF amplifier non-inverting input
21	RFS	Output	RF summing virtual output
22	RF-	Input	RF amplifier inverter input
23	NC		
24	RFO	Output	RF amplifier output
25	APC-	Input	APC circuit PD amplifier inverter input
26	TE2+	Input	Tracking error amplifier 2 non-inverting input
27	APCO	Output	APC circuit PD amplifier output
28	TE10	Output	Tracking error amplifier 1 output
29	TE2-	Input	Tracking error amplifier 2 inverter input
30	TE20	Output	Tracking error amplifier 2 output
31	VREF2		Reference voltage
32	FE2+	Input	Focus error amplifier 2 non-inverting input
33	FE1+	Input	Focus error amplifier 1 non-inverting input
34	FE10	Output	Focus error amplifier 1 output
35	FE2-	Input	Focus error amplifier 2 inverter input
36	FE20	Output	Focus error amplifier 2 output

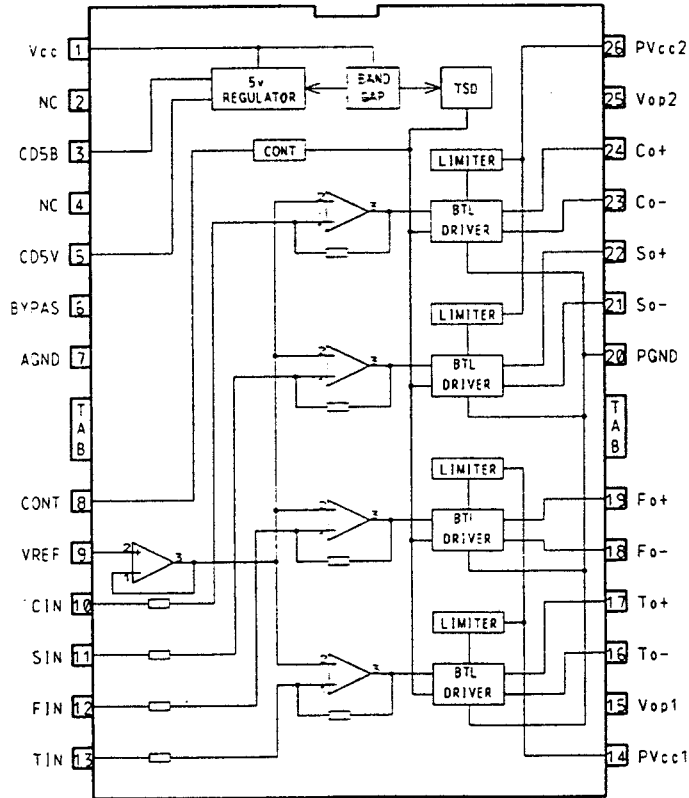
IC601 : GGF9001



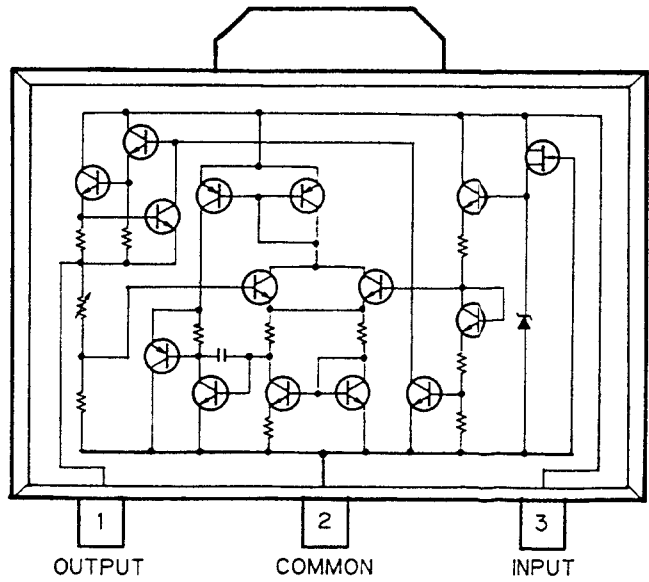
IC602, 652 : RC4558M



IC651 : PA3026



IC661 : TA78L05F

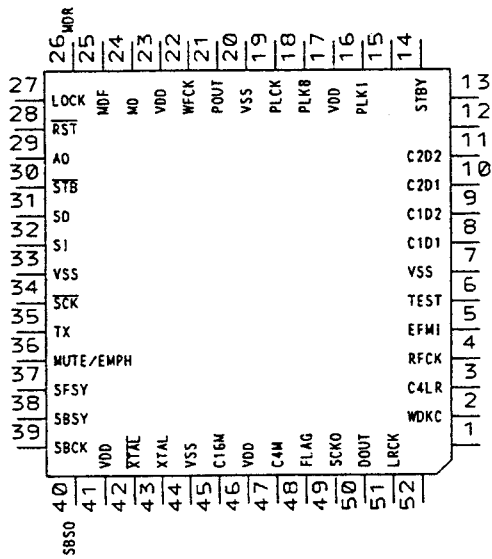


• Pin Functions (UPD6375GC)

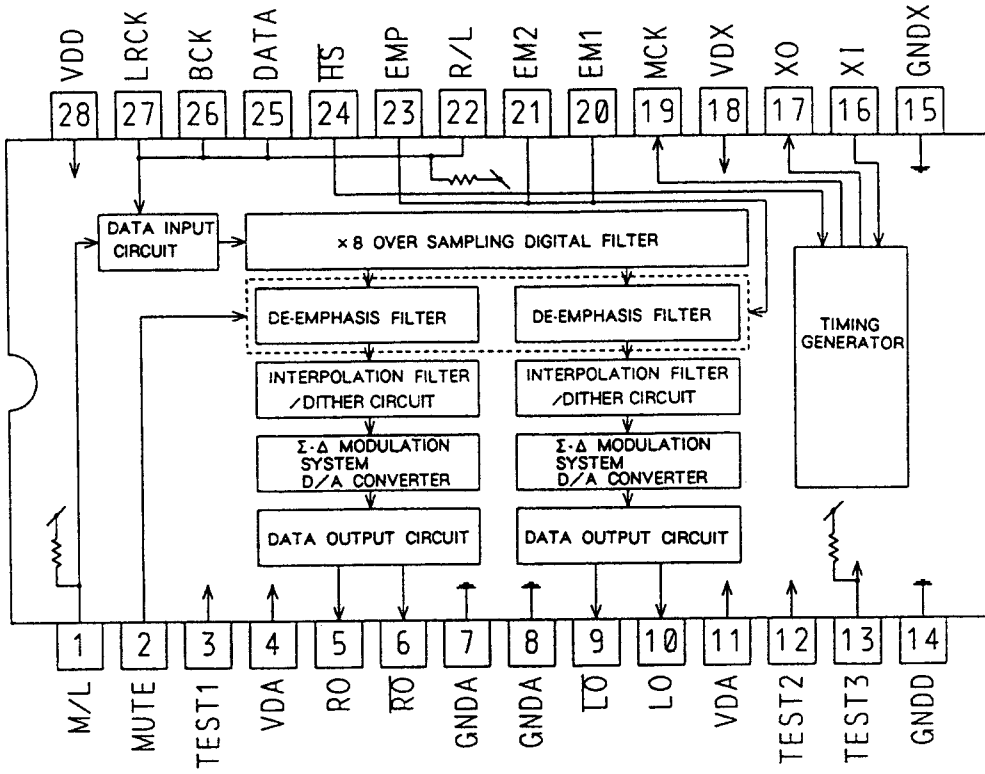
Pin No	Pin Name	I/O	Function and Operation
1	NC		
2	WDCK	Output	Output terminal for signal having double the frequency of LRCK
3	C4LR	Output	Output terminal for signal having four the frequency of LRCK
4	RFCK	Output	Oscillation clock divider signal, output terminal for signal giving one-frame synchronization
5	EFMI	Input	EFM signal input terminal
6	TEST		TEST
7	VSS		GND
8	C1D1	Output	Output terminal indicating C1 error correction status
9	C1D2	Output	
10	C2D1	Output	Output terminal indicating C2 error correction status
11	C2D2	Output	
12,13	NC		
14	STBY	Input	Standby input terminal. STBY=H stops clock oscillation
15	NC		
16	PLK1	Output	VCO output terminal for use in analog PLL selection
17	VDD		VDD
18	PLK8	Input	VCO clock input terminal for use in analog PLL selection
19	PLCK	Output	Bit clock monitor terminal
20	VSS		GND
21	POUT	Output	Output terminal for phase comparison between EFM signal and bit clock
22	WFCK	Output	Signal issuing one-frame period (approximately 7.35kHz) by bit clock dividing signal
23	VDD		5 V
24	MD	Output	Signal indicating spindle motor CLV servo control output status
25	MDF	Output	Spindle motor CLV servo control positive direction output terminal
26	MDR	Output	Spindle motor CLV servo control negative direction output terminal
27	LOCK	Output	Becomes "H" when the synchronization signal and frame counter output coincide at EFM demodulator
28	RST	Input	Reset signal input terminal
29	AO	Input	Control signal distinguishing data from microcomputer
30	STB	Input	Signal latching within this LSI the serial data fetched from SI terminal
31	SO		Serial data input terminal
32	SI	Input	Input terminal fro data from microcomputer
33	VSS		GND
34	SCK	Input	Clock input terminal for serial data input
35	TX	Output	Digital audio interface data output terminal
36	MUTE/EMPH	Output	Output terminal for mute command decoding signal or sub-Q command pre-emphasis data
37	SFSY	Output	Signal indicating subcode one-frame synchronization
38	SBSY	Output	Signal indicating head of subcode block
39	SBCK	Input	Subcode data read clock input terminal
40	SBSO	Output	Subcode data output terminal
41	VDD		5 V
42	XTAL	Output	Oscillation continuation terminal
43	XTAL	Input	Oscillation continuation terminal

Pin No	Pin Name	I/O	Function and Operation
44	VSS		GND
45	C16M	Output	Oscillation clock output terminal
46	VDD		5 V
47	C4M	Output	1/4 cycle output terminal for oscillation clock signals
48	FLAG	Output	Flag signal indicating that the current audio data output consists of incorrectable data
49	SCKO	Output	Clock output terminal for audio serial data
50	DOUT	Output	Serial audio data output terminal
51	LRCK	Output	Signal distinguishing between left and right channel DOUT terminal output
52	NC		

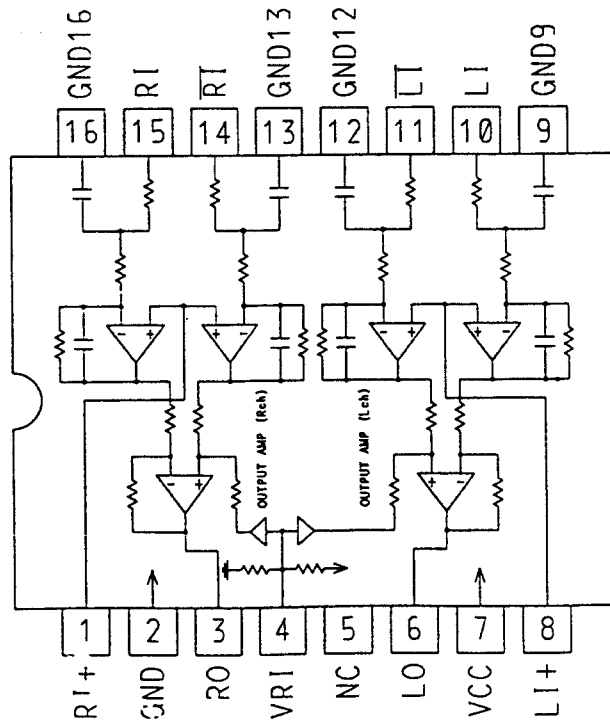
IC701 : UPD6375GC



IC702 : TC9237F



IC703 : TA2009F



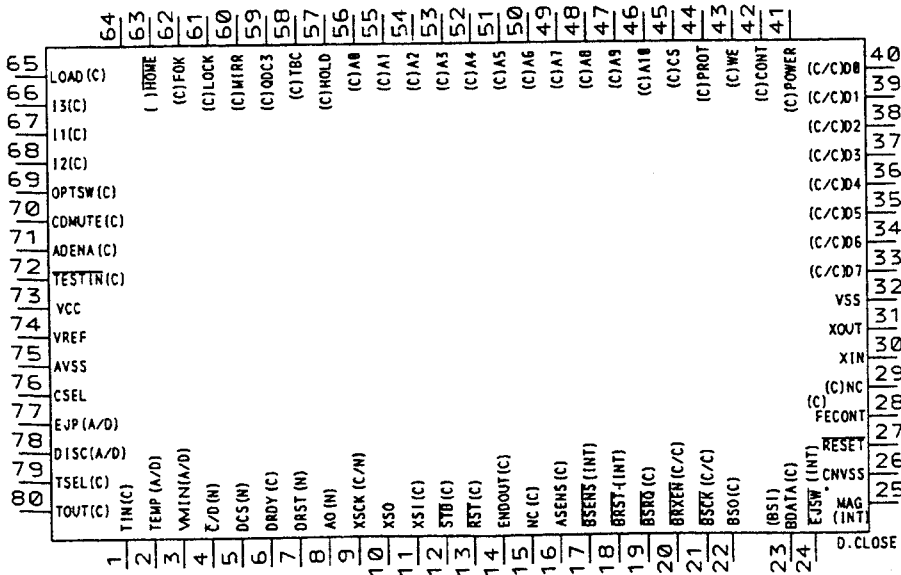
● Pin Functions (PD5180A)

Pin No.	Pin Name	I/O	I/O Format	Function and Operation
1	TIN	Input		Disc position detector switch
2	TEMP			Temperature detector
3	VMIN			Mechanism power supply detector input
4	C/D	Output	NM	Command/data appointment output
5	DCS	Output	NM	Chip select output
6	DRDY	Input		Ready input
7	DRST	Output	NM	Reset output
8	AO	Output	NM	LSI data control signal
9	XSCK	Input/ Output		LSI clock input/output
10	XSO	Output	NM	LSI data output
11	XSI	Input	NM	LSI data input
12	STB	Output	C	LSI strobe output
13	RST	Output	C	Reset output pin
14	ENDOUT	Output	C	Digital output enable signal
15, 16	NC			
17	BSENS	Input		Back up power sense input pin
18	BRST	Input		Bus communication reset input pin
19	BSRQ	Output	C	Bus communication service request output pin
20	BRXEN	Input/ Output	C	Bus communication reception enable input pin
21	BCK	Input/ Output	C	Bus serial clock input/output
22	BSO	Output	C	Serial data output pin
23	BSI	Input		Bus serial data input
24	EJSW	Input		Eject signal input
25	MAG	Input		Magazine lock switch
26	CNVSS			GND
27	RESET	Input		Reset input
28	FECNT	Output	C	DEFECT port
29	NC			Not used
30	XIN	Input		Crystal oscillating element connection pin
31	XOUT	Output	C	Crystal oscillating element connection pin
32	VSS			GND
33-40	D7-DO	Input/ Output		External RAM data line
41	POWER	Output	C	CD +5V control
42	CONT	Output	C	Servo driver power supply control
43	WE	Output	C	External RAM write enable
44	PROT	Output	C	External RAM output enable
45	CS	Output	C	External RAM chip select
46-56	A10-A0	Output	C	External RAM address line
57	HOLD	Output	C	Hold control output
58	TBC	Output	C	Tracking bank switching output
59	NC			Not used
60	MIRR	Input		Mirror detector input
61	LOCK	Input		Spindle lock detector input
62	FOK	Input		FOK signal input
63	HOME	Input		Home position detector input
64	NC			Not used

Pin No.	Pin Name	I/O	I/O Format	Function and Operation
65	LOAD	Output	C	Mechanism power supply control
66-68	I2-I0	Output	C	Motor driver control
69	OPTSW	Input		Digital output ON/OFF input
70	CDMUTE	Output	C	CD mute output
71	ADENA	Output	C	A/D reference voltage output
72	TESTIN	Input		Test program mode input
73	VCC			Back up 5V
74	VREF	Input		A/D reference voltage input
75	AVSS			A/D GND
76	CSEL			Compression select
77	EJP			Eject position switch
78	DISK	Input		Disc detector input
79	TSEL	Input		Tray position detector photosensor
80	TOUTS	Input		Tray position detector switch

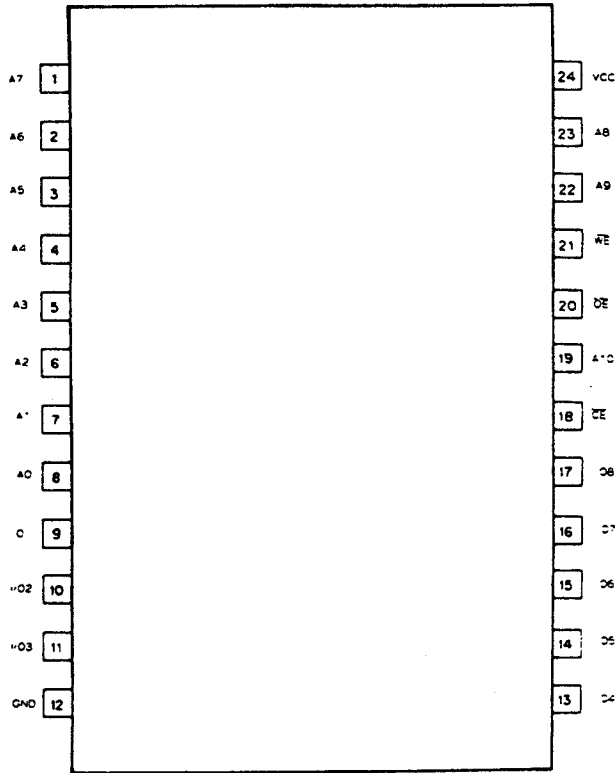
I/O Format	Meaning
C	CMOS output
NM	Middle resistivity N channel open drain

*IC751 : PD5180A

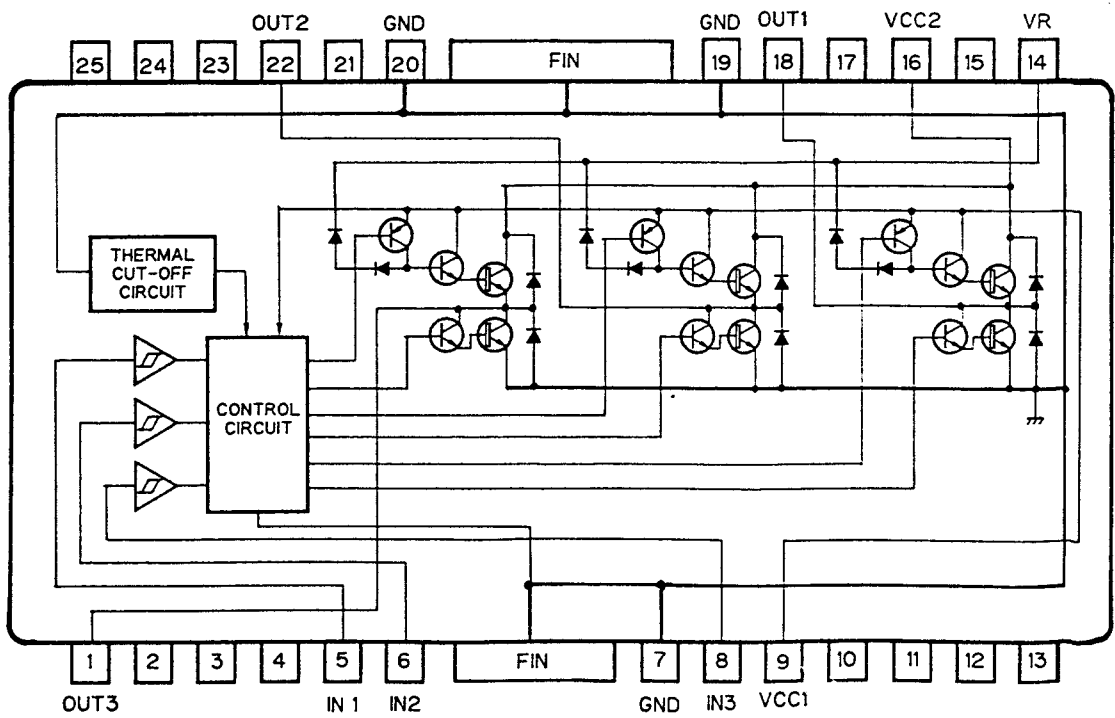


IC's marked by * are MOS type.
Be careful in handling them because they are very liable to be damaged by electrostatic induction.

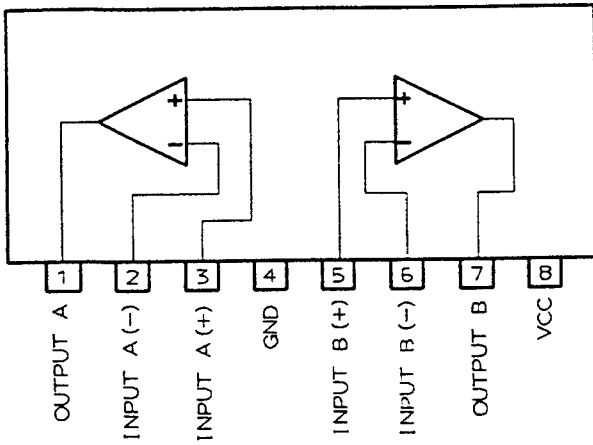
IC755 : LH5116HN-10T



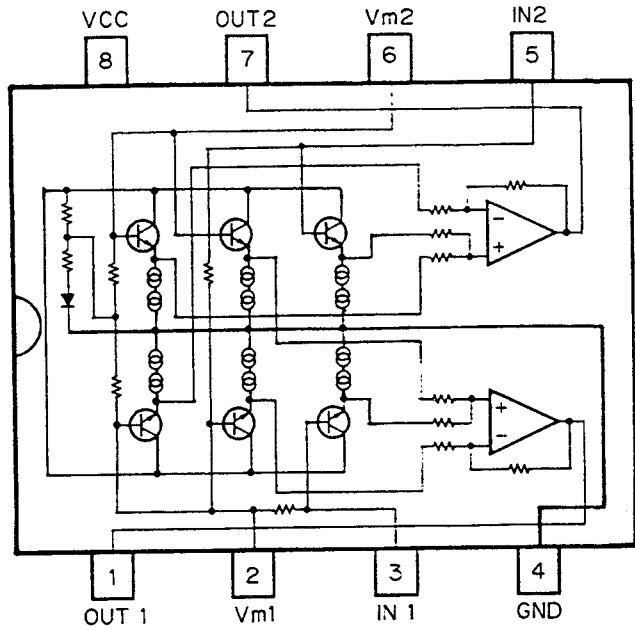
IC801 : XRA6247FP



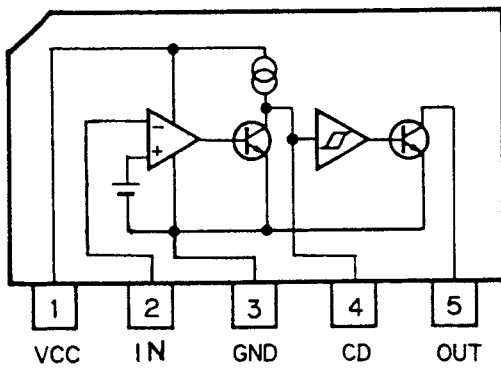
IC971 : M5218AL



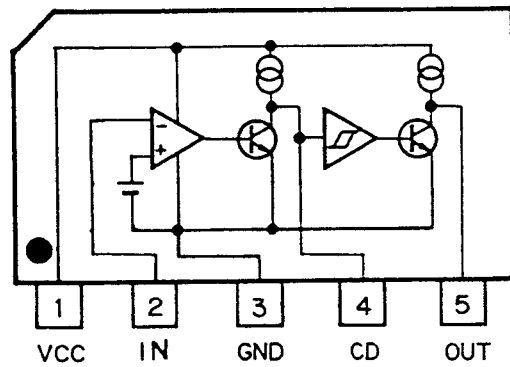
IC972 : BA3121



IC981 : M51957AL

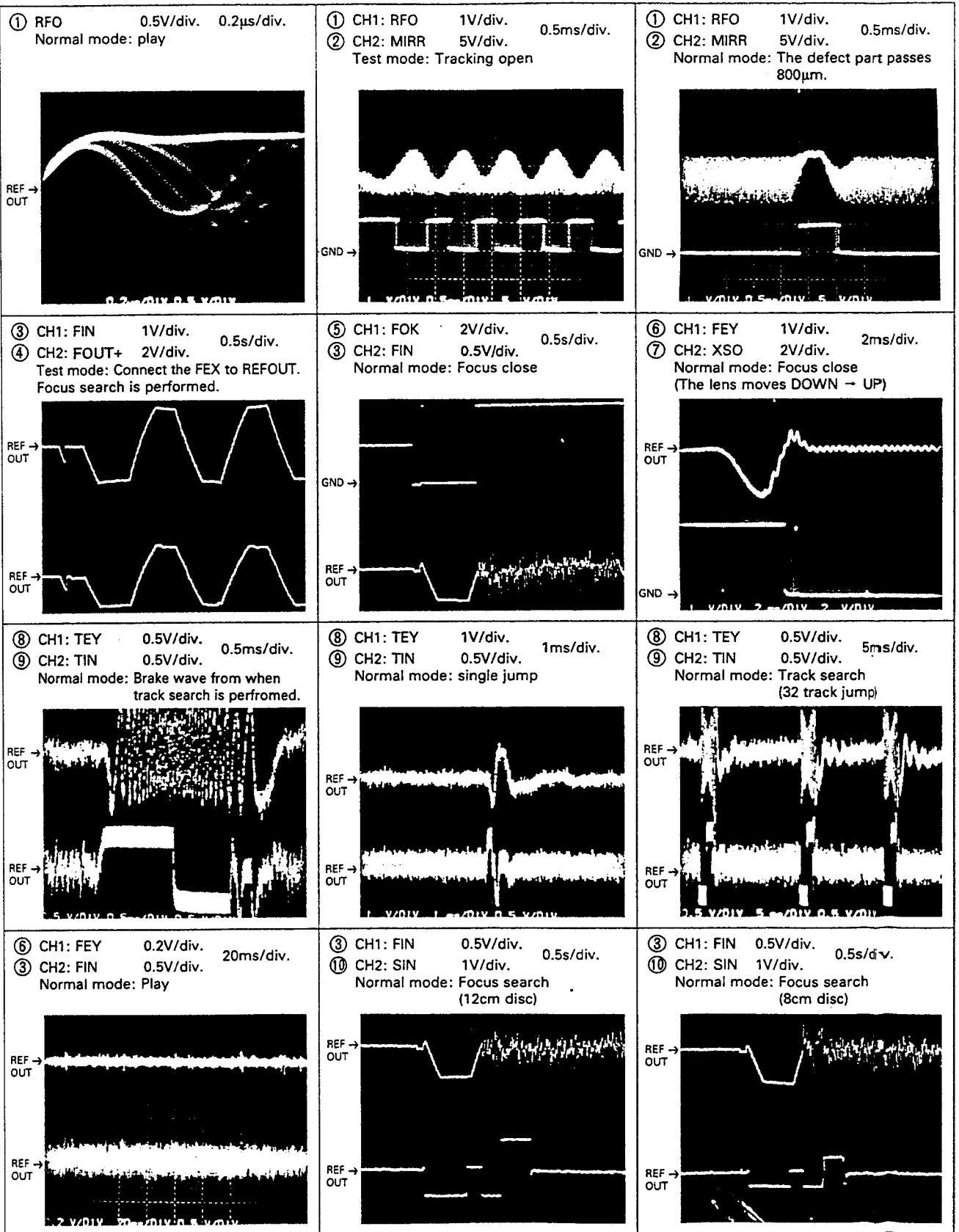


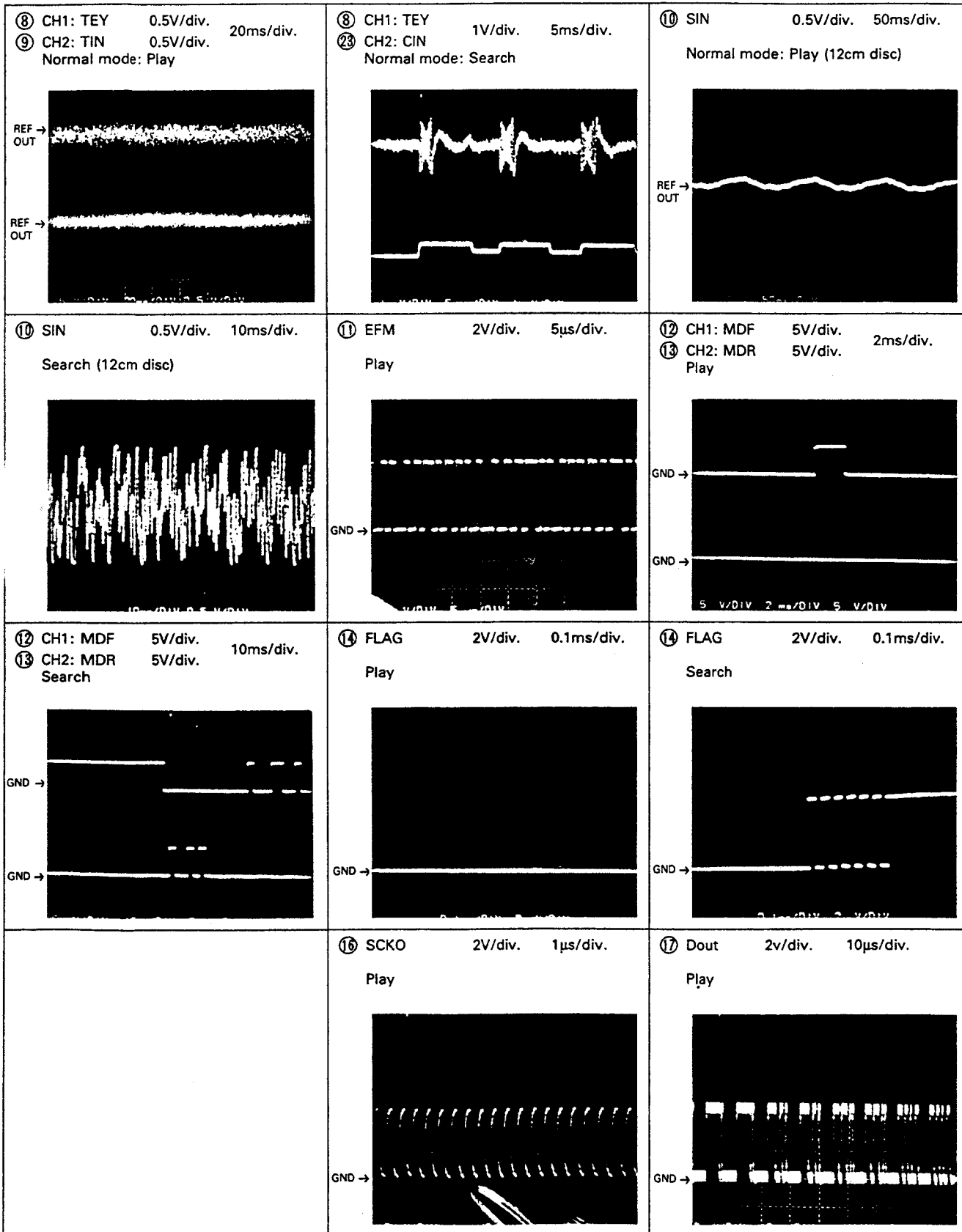
IC982 : M51958AL



Note: 1. The encircled numbers denote measuring points in the circuit diagram.
 2. Reference voltage
 REFOUT: 2.5V

• Wave Forms



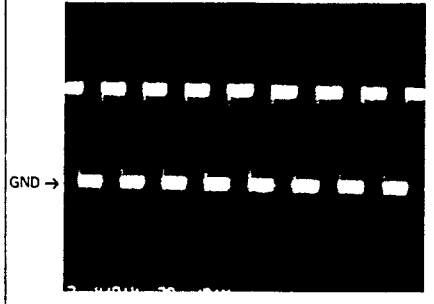
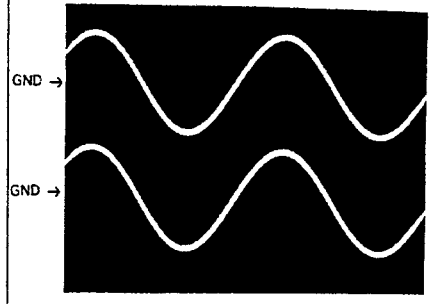
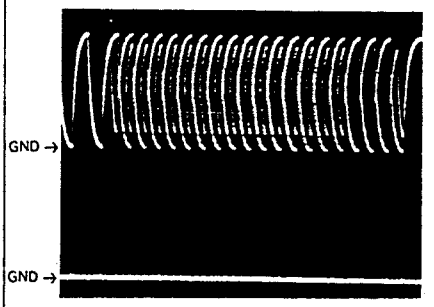
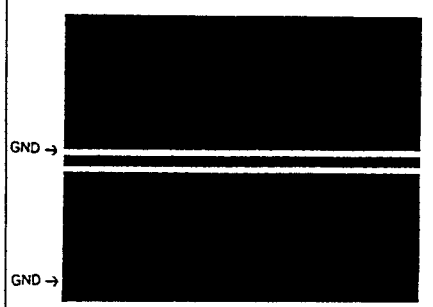
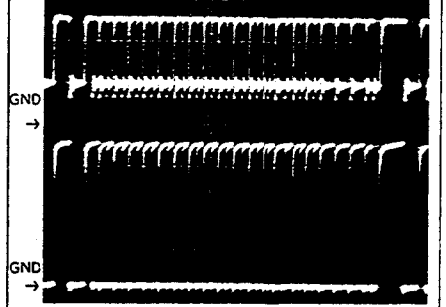
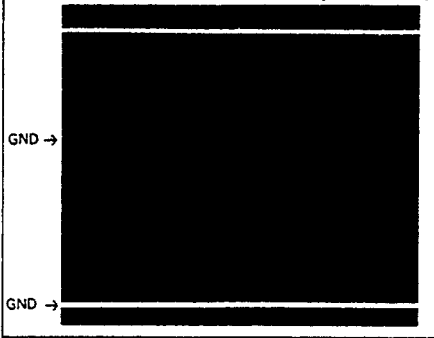


A

B

C

D

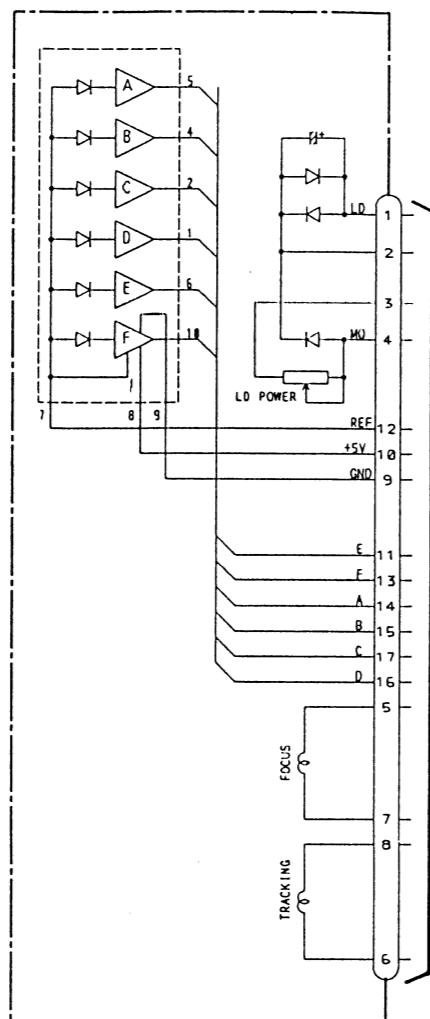
<p>⑮ LRCK 2V/div. 20μs/div.</p> <p>Play</p> 	<p>⑰ CH1: L 1V/div. 0.2ms/div.</p> <p>⑱ CH2: R 1V/div.</p> <p>Play (1kHz)</p> 	
<p>⑲ CH1: DIGOUT 1V/div. 1 μs/div.</p> <p>⑳ CH2: OPTSW 2V/div. 1 μs/div.</p> <p>Play (When connect the optical cable)</p> 	<p>⑲ CH1: DIGOUT 1V/div. 1 μs/div.</p> <p>⑳ CH2: OPTSW 2V/div. 1 μs/div.</p> <p>Play (When non-connect the optical cable)</p> 	<p>㉑ CH1: DOA 2V/div. 1 μs/div.</p> <p>㉒ CH2: DOK 1V/div.</p> <p>Play (When connect the optical cable)</p> 
<p>㉑ CH1: DOA 2V/div. 1 μs/div.</p> <p>㉒ CH2: DOK 1V/div.</p> <p>Play (When non-connect the optical cable)</p> 		

8. CONNECTION DIAGRAM (1)

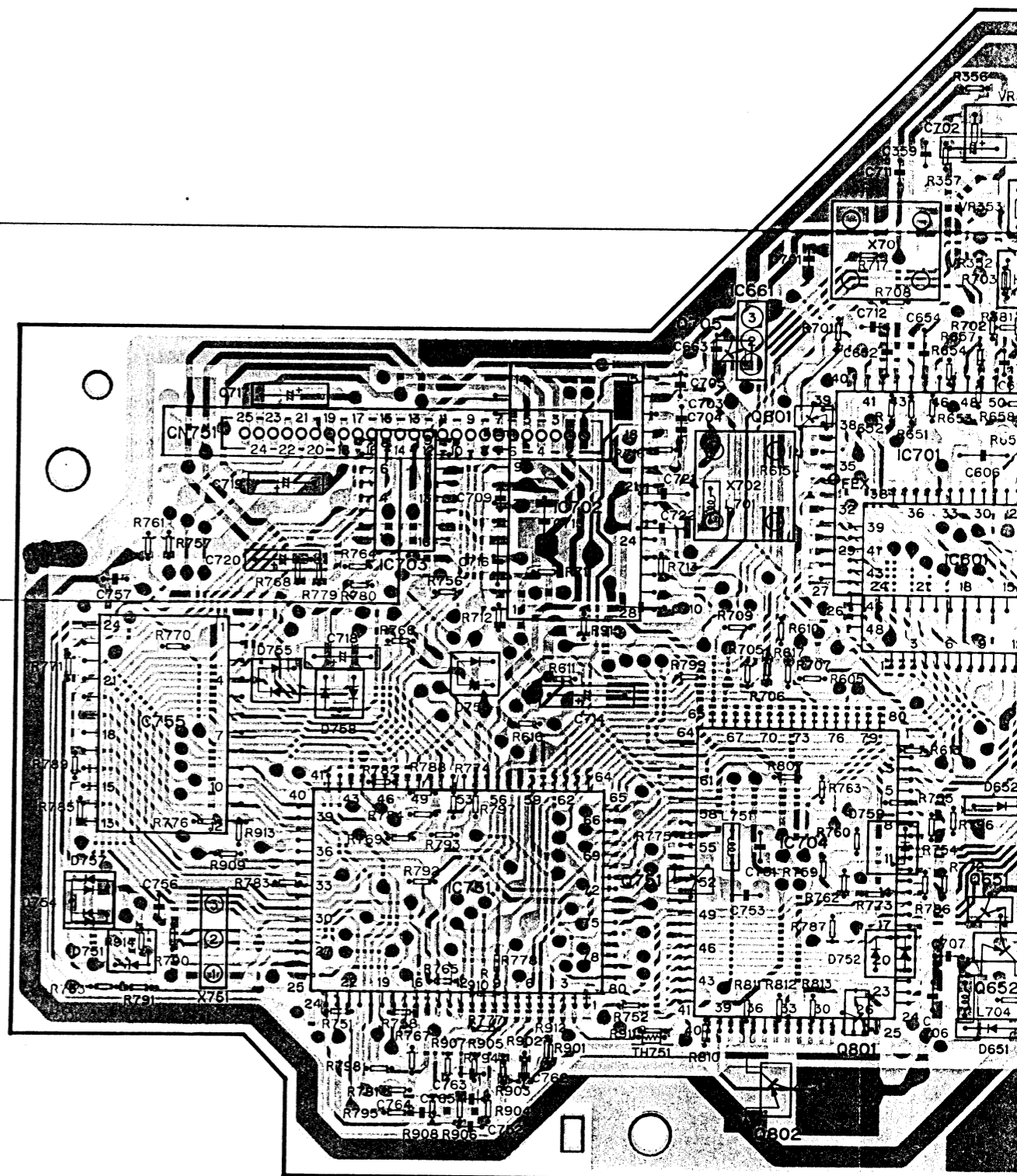
MAIN UNIT

IC, Q	IC755	IC703 IC751	IC702	Q705 Q802 Q601	Q6
ADJ				Q751 IC661 IC704 Q801	IC661 VR355

PU UNIT



TO EXTENSION UNIT



A

B

C

D

601 Q651 IC351
 4 Q801 IC701 IC601 Q652 IC652 Q653 IC602 Q803 IC651 IC801 Q351
 VR355 VR353 VR356 VR351
 VR352 VR354

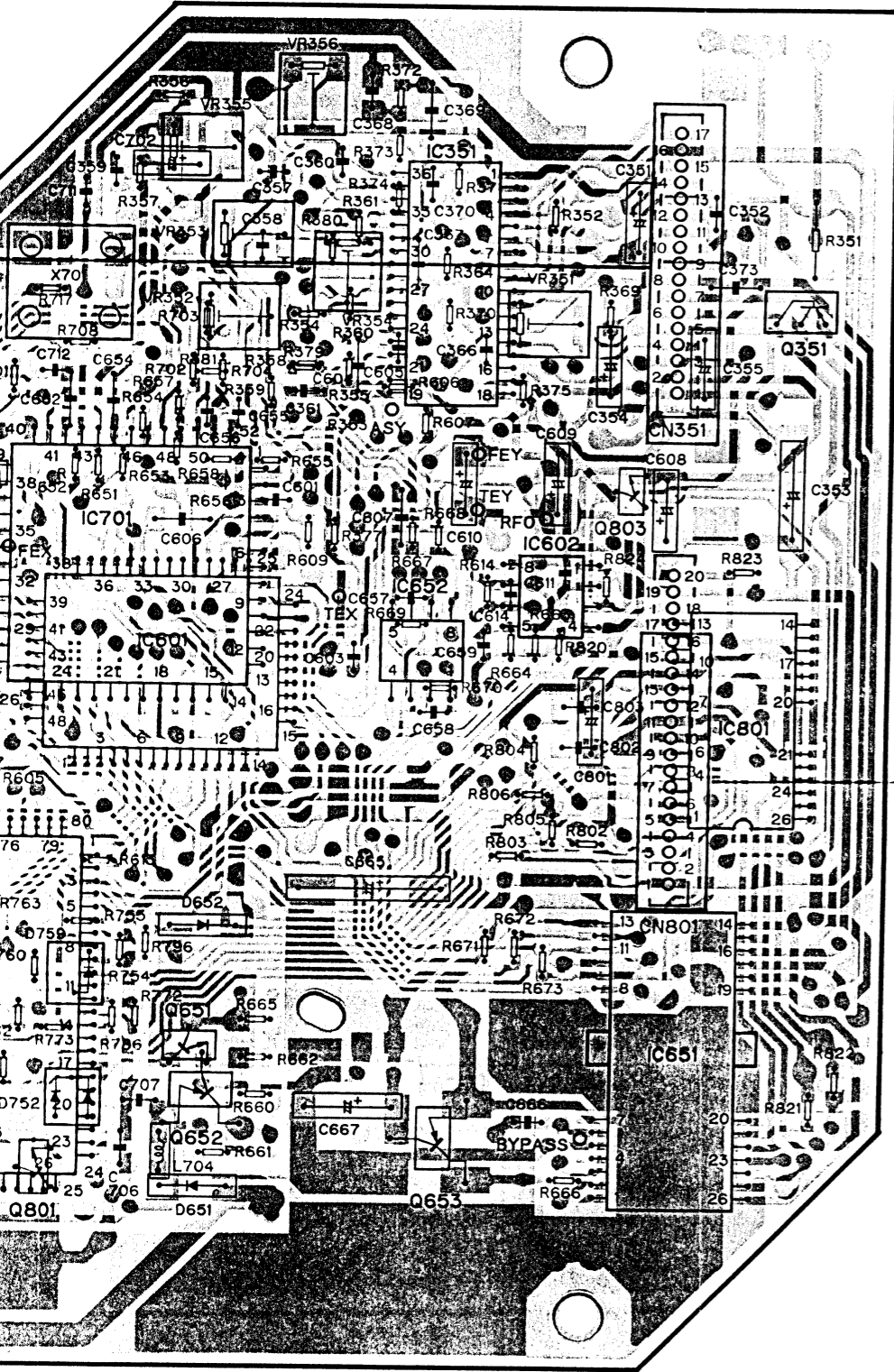
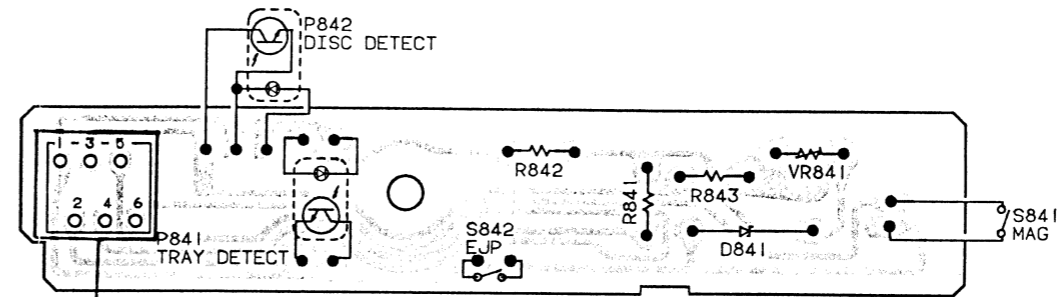
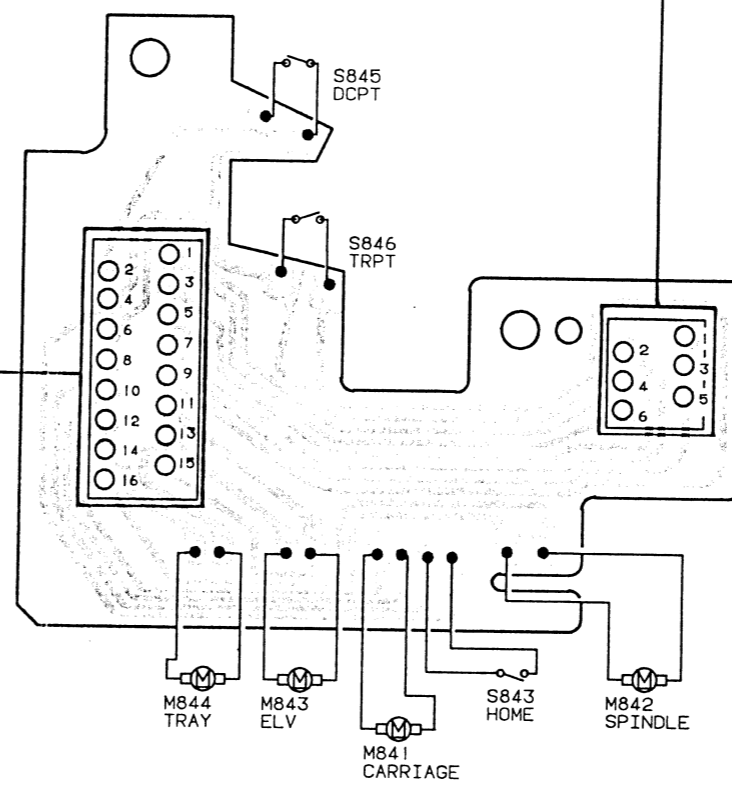


PHOTO P.C. BOARD



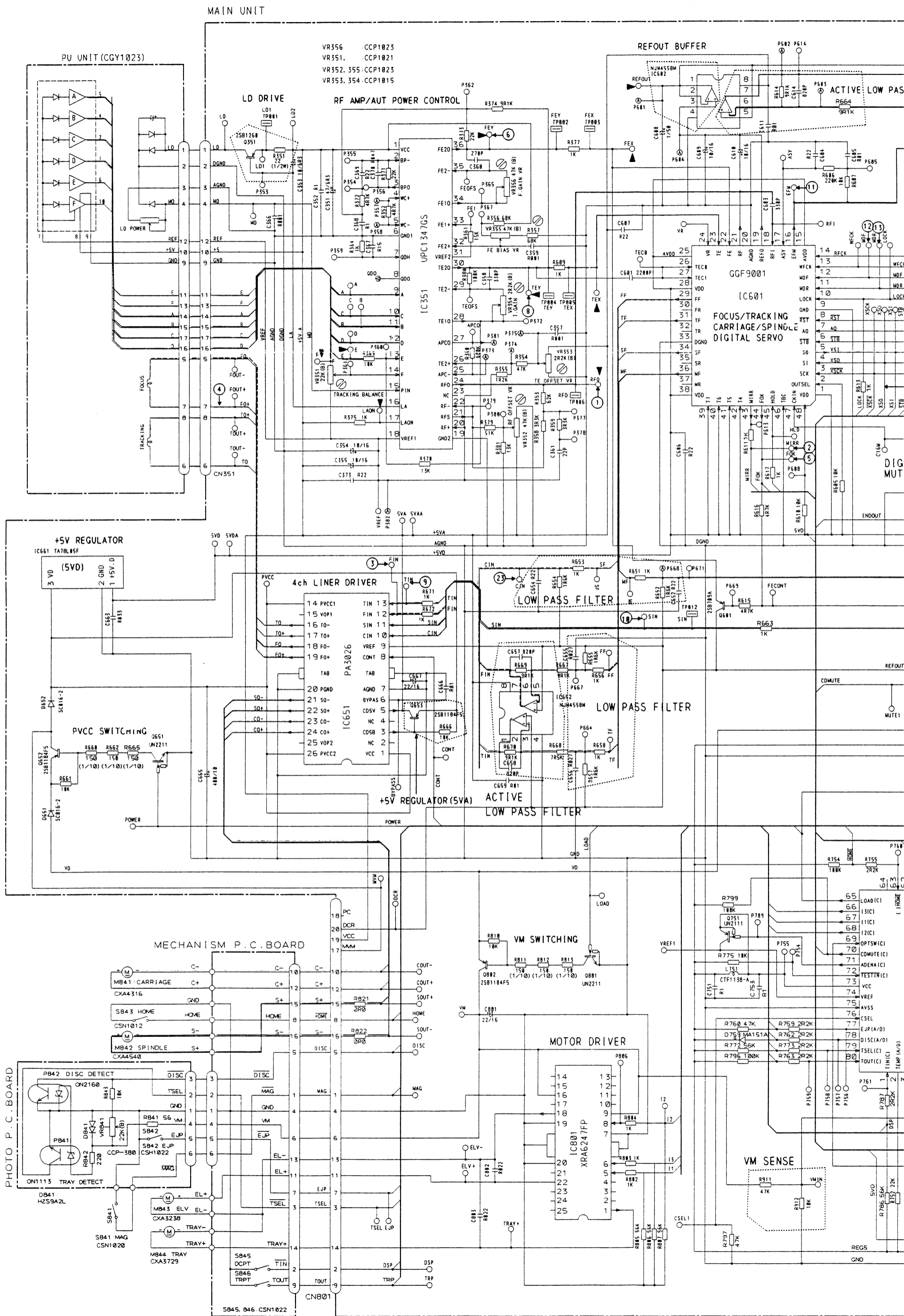
MECHANISM P.C. BOARD



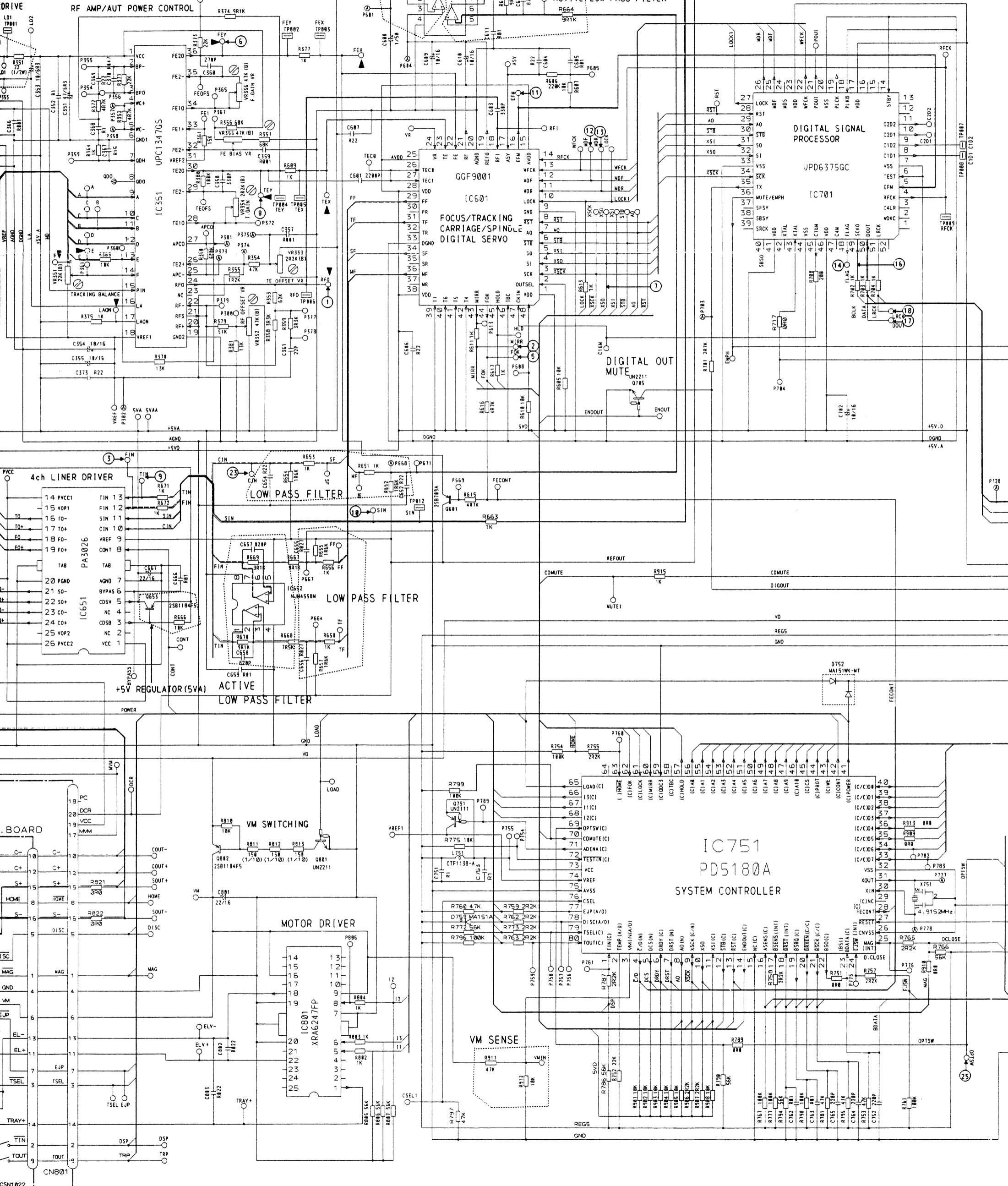
A
 B
 C
 D

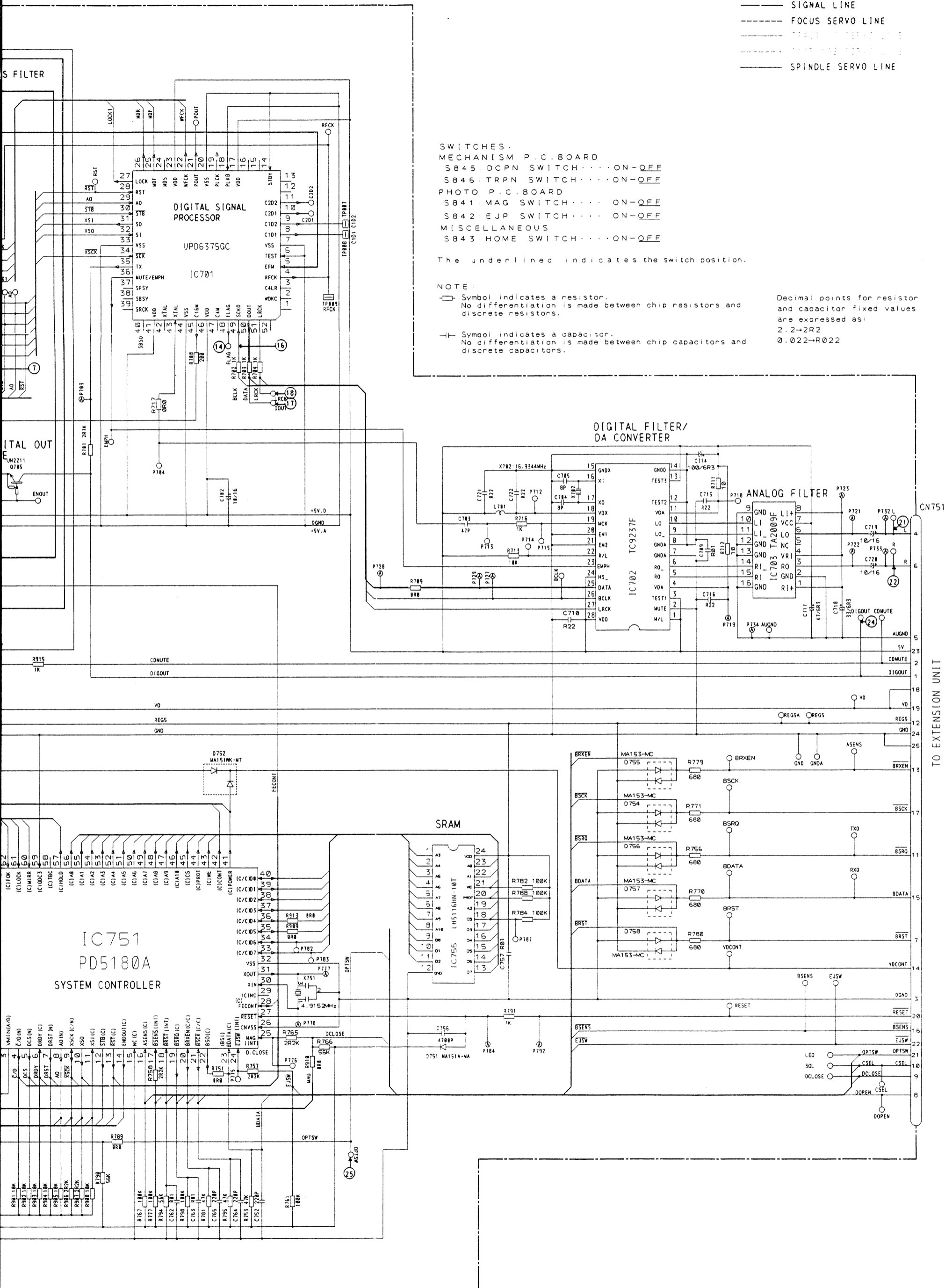
Fig. 32

9. SCHEMATIC CIRCUIT DIAGRAM (1)



VR356 CCP1023
VR351 CCP1021
VR352, 355 CCP1023
VR353, 354 CCP1015





SWITCHES
 MECHANISM P.C. BOARD
 S845 DCPN SWITCH ···· ON-OFF
 S846 TRPN SWITCH ···· ON-OFF
 PHOTO P.C. BOARD
 S841 MAG SWITCH ···· ON-OFF
 S842 EJP SWITCH ···· ON-OFF
 MISCELLANEOUS
 S843 HOME SWITCH ···· ON-OFF

The underlined indicates the switch position.

NOTE:

- Symbol indicates a resistor. No differentiation is made between chip resistors and discrete resistors.
- ⊥ Symbol indicates a capacitor. No differentiation is made between chip capacitors and discrete capacitors.

Decimal points for resistor and capacitor fixed values are expressed as:
 2.2→2R2
 0.022→R022

Fig. 33

10. CONNECTION DIAGRAM (2)

• CDX-M30/UC, EW, ES

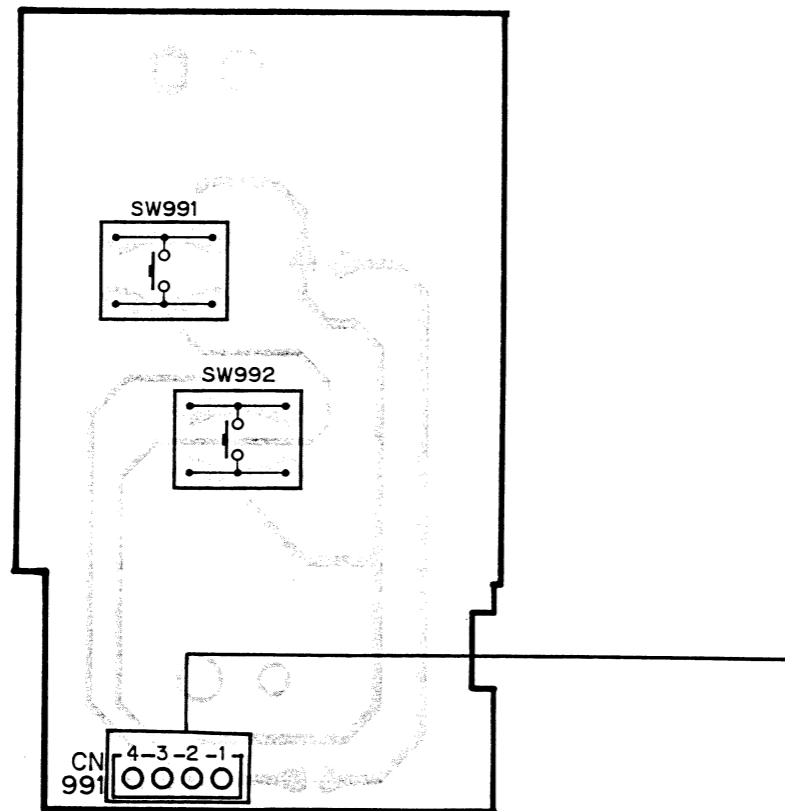
A

B

C

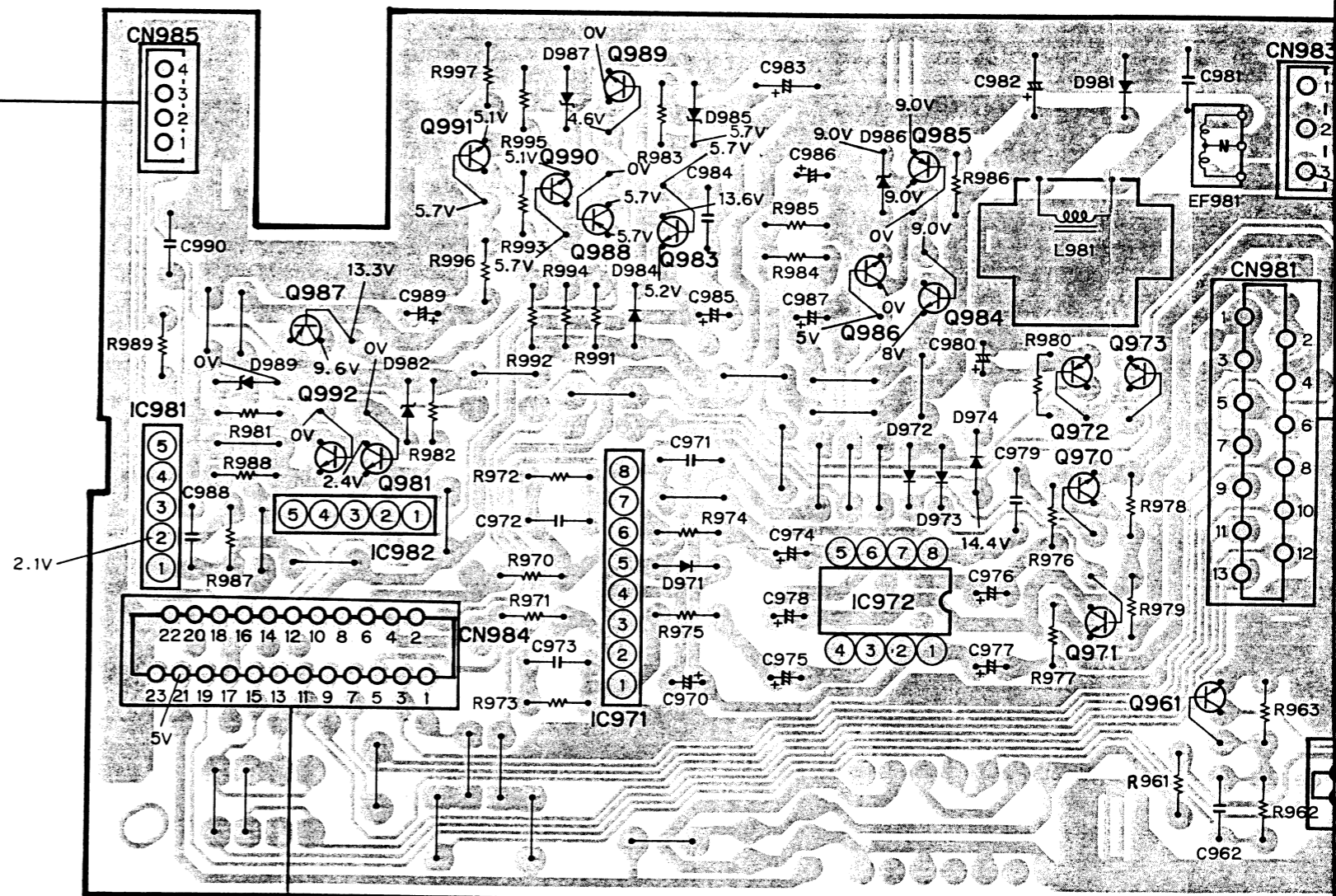
D

KEY UNIT



EXTENSION UNIT

IC, Q IC981	Q992 IC982 Q987 Q981 Q991	IC971 Q989 Q990 Q988 Q983	IC972 Q985 Q986 Q984	Q970 Q971 Q972 Q973 Q961
-------------	------------------------------	------------------------------	-------------------------	-----------------------------



TO MAIN UNIT

EXTENSION UNIT

IC, Q IC981	Q992 IC982 Q987 Q981 Q991	IC971 Q989 Q990 Q988 Q983	IC972 Q985 Q986 Q984	Q970 Q971 Q972 Q973 Q961
-------------	------------------------------	------------------------------	-------------------------	-----------------------------

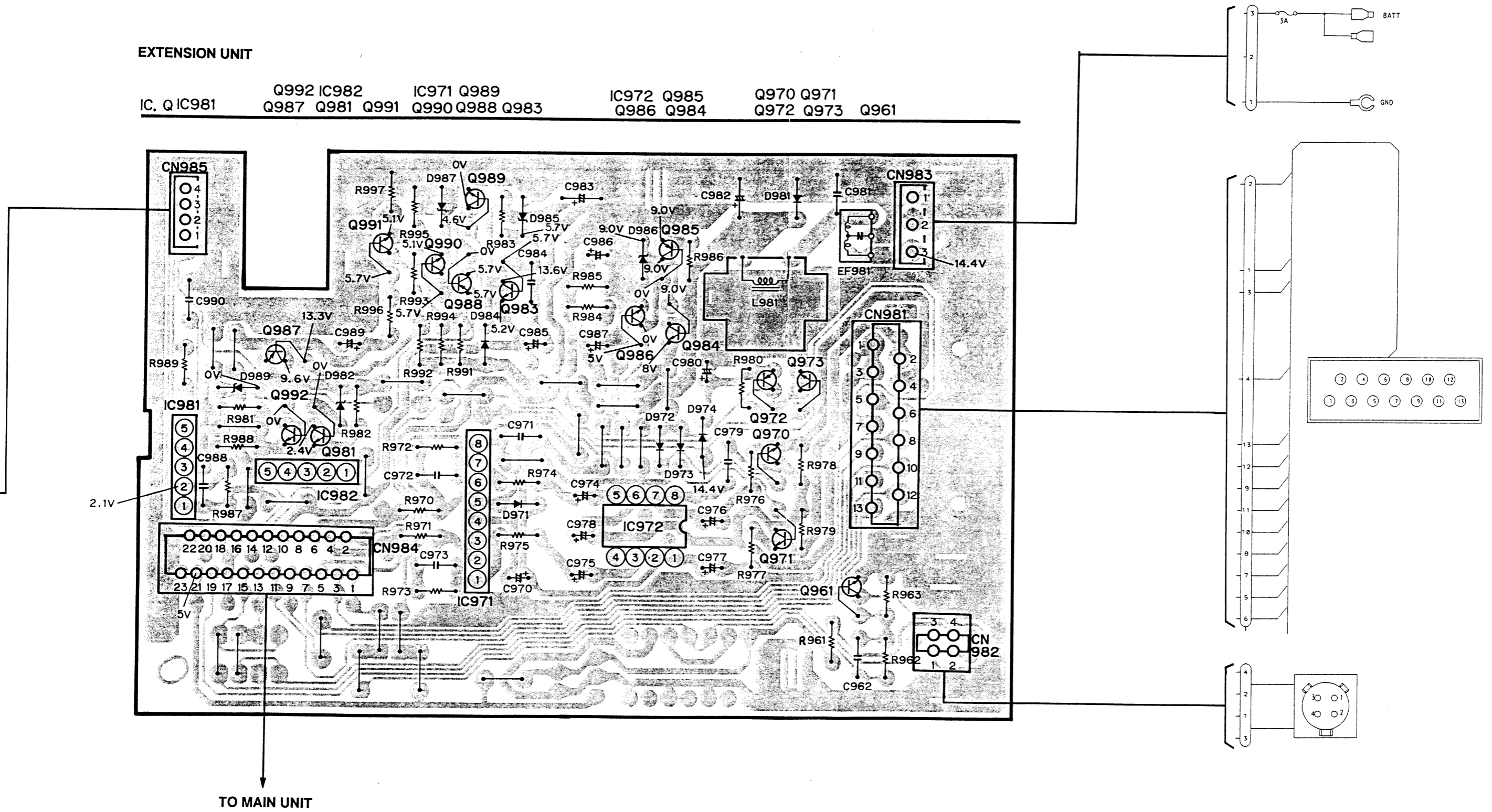


Fig. 34

11. SCHEMATIC CIRCUIT DIAGRAM (2)

• CDX-M30/US, EW, ES

A

B

C

D

A

B

C

D

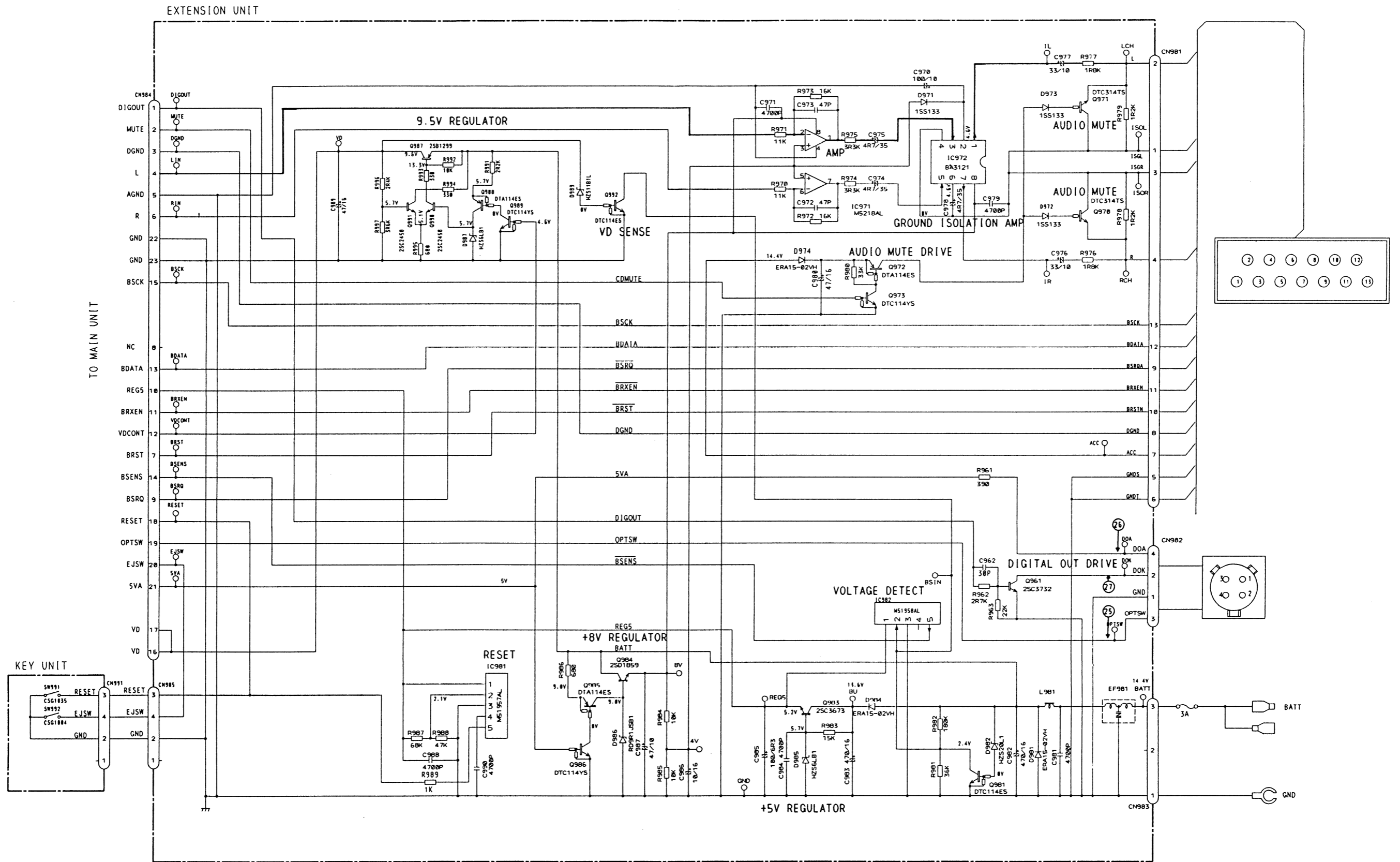


Fig. 35

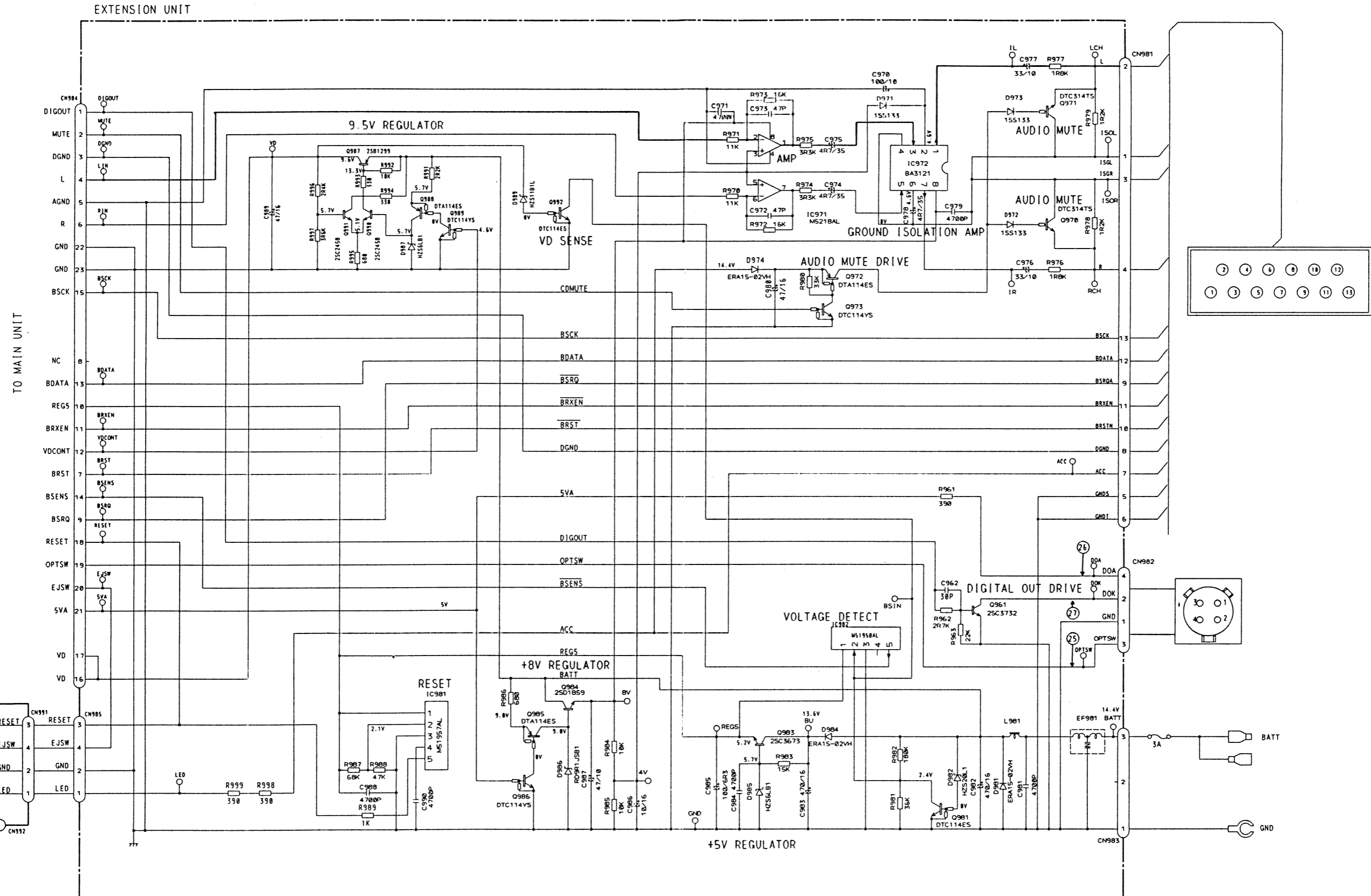


Fig. 36

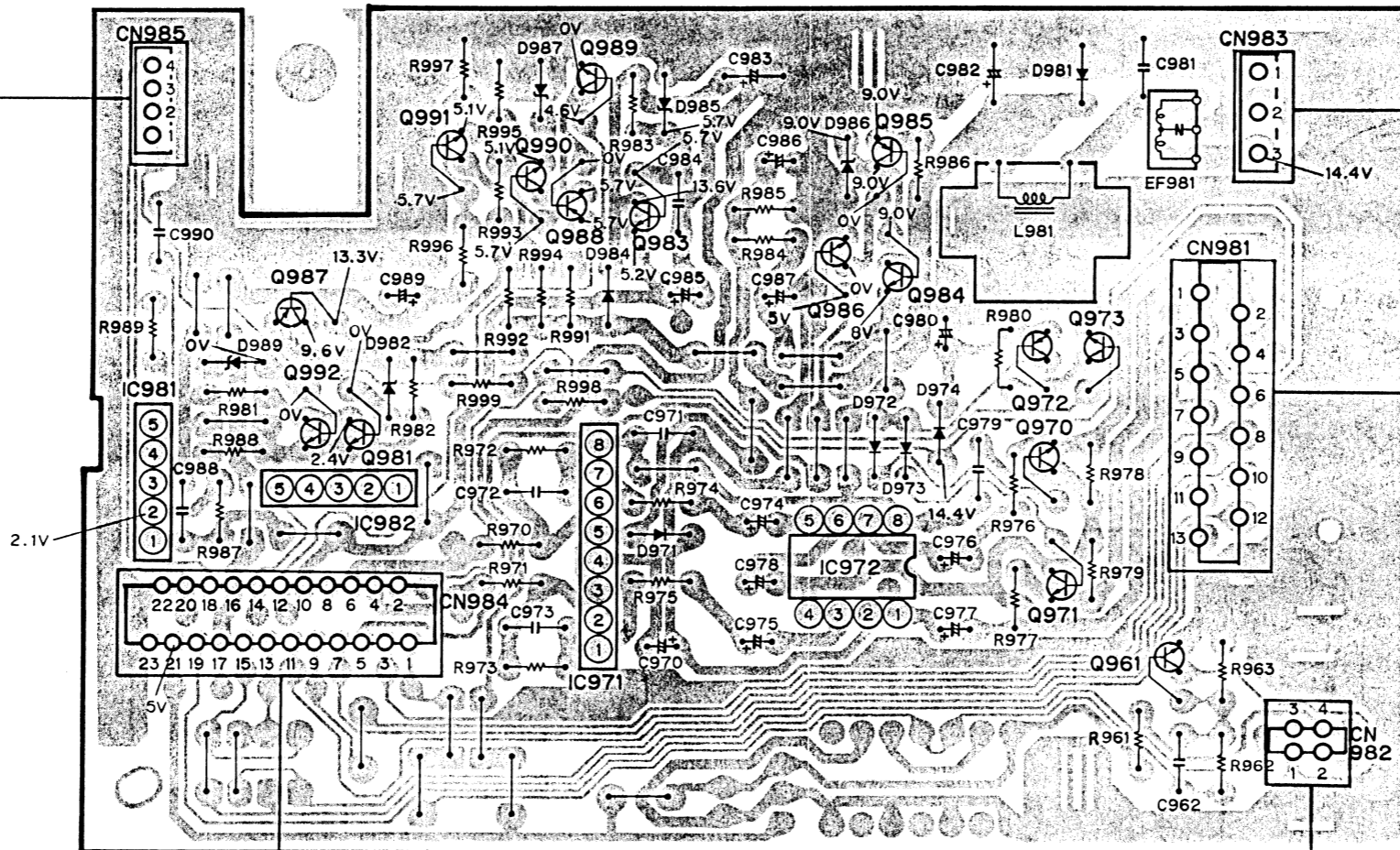
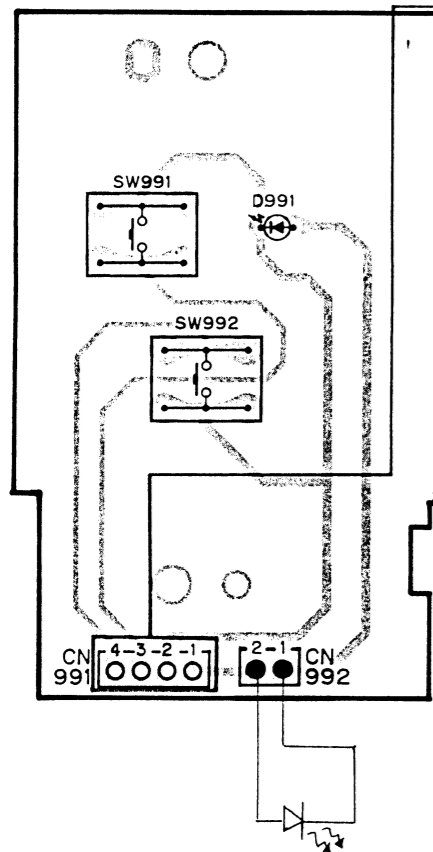
A

A

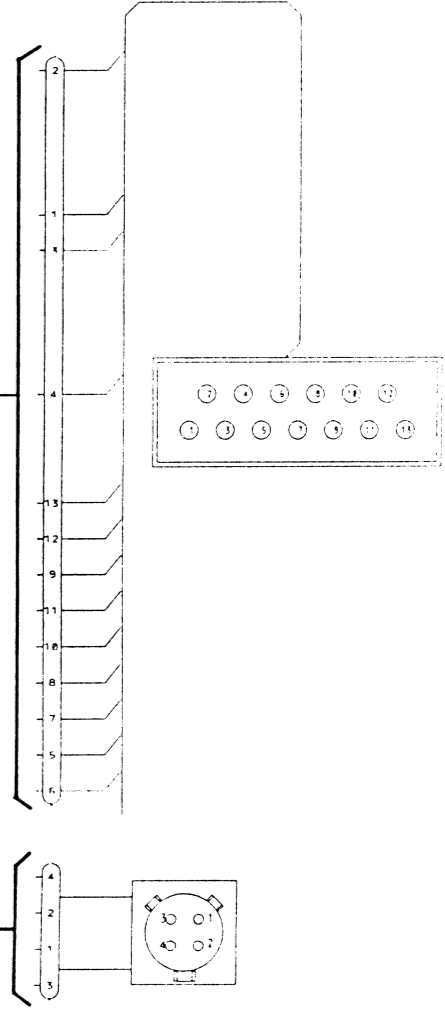
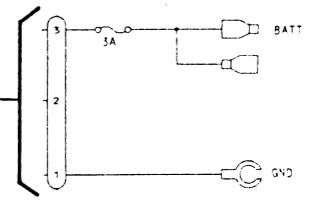
EXTENSION UNIT

IC. Q IC981	Q992 IC982	IC971 Q989	IC972 Q985	Q970 Q971
	Q987 Q981 Q991	Q990 Q988 Q983	Q986 Q984	Q972 Q973 Q961

KEY UNIT



TO MAIN UNIT



B

B

C

C

D

D

Fig. 37

12. CD MECHANISM UNIT EXPLODED VIEW

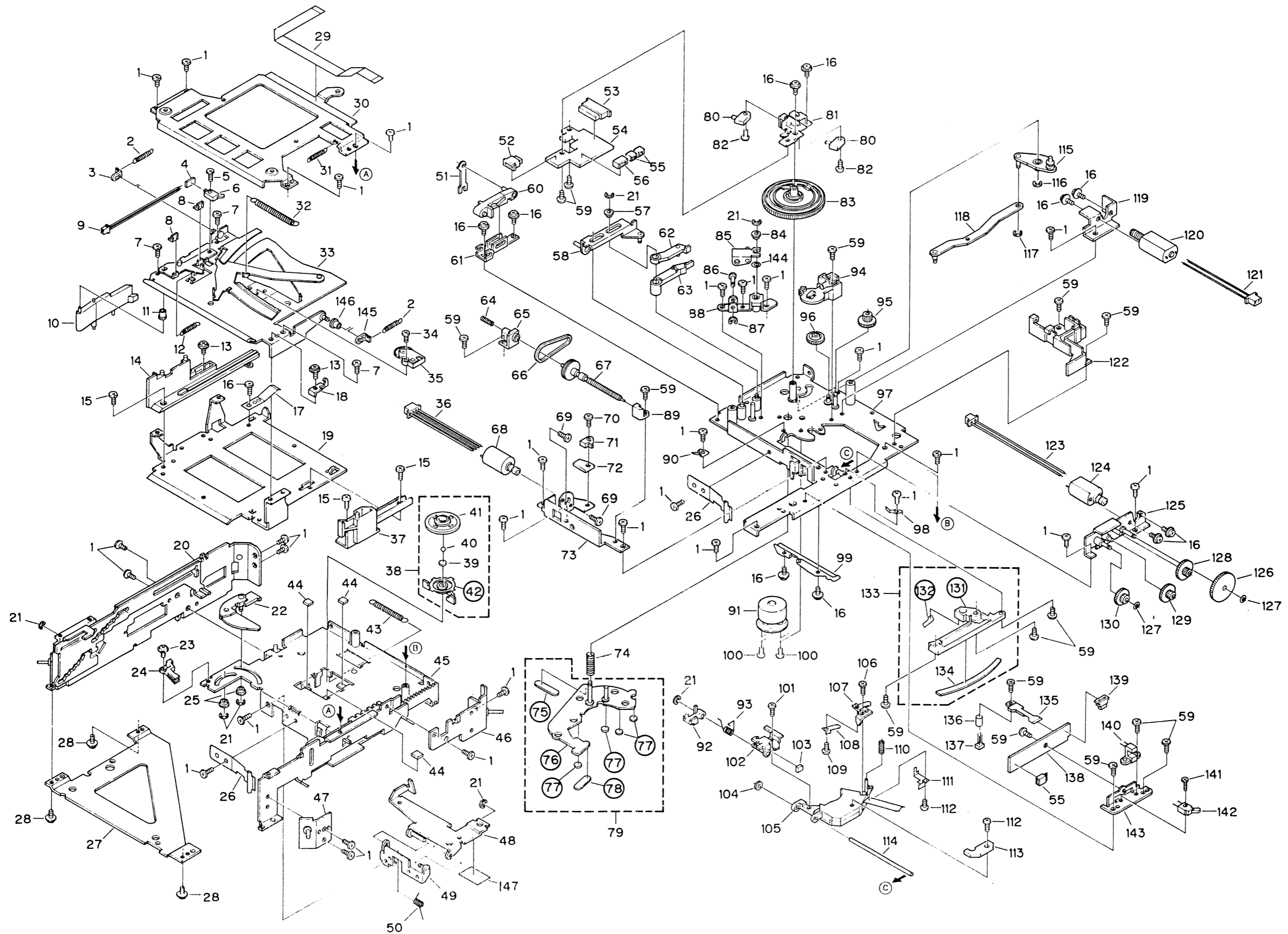


Fig. 38

NOTE:

- The parts marked with "●" may need long time to supply and their supply is subject to refuse as the case may be.
- Because the parts with encircled number shown on the dismantling drawing are not spare parts, we are unable to supply them in principle.

●Parts List

Mark No.	Description	Part No.	Mark No.	Description	Part No.
1	Screw	BMZ26P030FMC	41	Guide	CNV2739
2	Holder Spring	CBH1324	42	Clamper Bracket Unit	CXA3237
3	Spring Holder	CNC3054	43	Spring	CBH1436
4	Gathering P. C. Board	CNX1840	44	Cushion	CNM2555
5	Screw (M1.7×5.5)	CBA1070	45	Lower Chassis Unit	CXA4372
6	Switch (S841)	CSN1020	46	Damper Bracket Unit	CXA4381
7	Spring (M2×3)	CBA1152	47	Damper Bracket Unit	CXA4376
8	Clamper	CNV2722	48	Clamper Arm Unit	CXA4958
9	Connector	CDE2701	49	Clamper Arm Bracket Unit	CXA4378
10	Lock Arm	CNV3215	50	Clamp Spring	CBH1321
11	Roller	CLA2034	51	Lever	CNC3038
12	Lock Spring	CBH1320	52	Plug (6P)	CKS1526
13	Screw	CBA1075	53	Plug	CKS1536
14	Magazine Guide	CNV2369	54	Gathering P. C. Board	CNX1778
15	Screw (M2×3)	CBA1077	55	Plug (2P)	CKS1049
16	Screw	PMS20P025FMC	56	Plug (4P)	CKS1051
17	Spring	CBL1145	57	Collar	CLA1846
18	Spring Bracket	CNC4323	58	Cam Lever Unit	CXA4012
19	Magazine Holder	CNC4287	59	Screw (M2.6×5)	CBA1180
20	Side Frame Unit	CXA4373	60	Cam Arm	CNV2736
21	Washer	YE15FUC	61	Cam Lever Bracket	CNC3682
22	Arm	CNV2352	62	SW Arm	CNV2964
23	Screw (M2×5)	CBA1080	63	SW Arm	CNV2959
24	Arm Guide	CNV2372	64	Spring	CBH1104
25	Roller	CLA1846	65	CRG Holder	CNV2961
26	Spring	CBL1134	66	Belt	CNT1053
27	Lower Frame	CNC3456	67	Screw Unit	CXA2375
28	Screw	PMS20P030FMC	68	Motor Unit (M841)	CXA4316
29	Connector	CDE3464	69	Screw	CBA-098
30	Upper Frame	CNC3960	70	Screw (M2×6)	CBA1004
31	Spring	CBH1466	71	Switch (S843)	CSN1012
32	EJ Spring	CBH1402	72	P. C. Board	CNP2803
33	Magazine Holder Unit	CXA4729	73	CRG Bracket	CNC3961
34	Screw	CBA1070	74	Disc UP Spring	CBH1442
35	Damper Unit	CXA3242	75	Sheet	CNM3241
36	Connector	CDE3466	76	Disc-up Guide Unit	CXA4377
37	Magazine Guide	CNV2734	77	Sheet	CNM3178
38	Clamper Bracket Assy	CXA4039	78	Sheet	CNM3241
39	Spacer	CNM1797	79	Disc-up Guide Assy	CXA4384
40	Ball	CNK1079	80	Switch (S345.846)	CSN1022

Mark No.	Description	Part No.	Mark No.	Description	Part No.
81	Cam Gear Bracket	CNC3964	116	Washer	YE20FUC
82	Screw (M2×5)	CBA1054	117	Washer	YE25FUC
83	Cam Gear	CNV2963	118	Lever Unit	CXA3542
84	Collar	CLA1977	119	TRY Bracket	CNC3963
85	Disc UP Arm Unit	CXA4382	120	TRAY Motor Unit(M844)	CXA3729
86	Shaft	CLA1962	121	Connector	CDE3151
87	Washer	YE20FUC	122	Guide	CNV2958
88	Disc-up Bracket Unit	CXA4375	123	Connector	CDE3150
89	CRG Holder	CNV2965	124	Motor Unit(M843 ELV)	CXA3238
90	Spring	CBL1135	125	ELV Bracket Unit	CXA4380
91	Motor Unit(M842)	CXA4540	126	Gear	CNV2962
92	Rack	CNV2972	127	Washer	CBF1038
93	Spring	CBH1432	128	Gear	CNV2363
94	Guide	CNV2971	129	Gear	CNV2371
95	Wheel	CNV2359	130	Gear	CNV2364
96	Gear	CNV2360	131	Disc Guide	CNV2966
97	Main Chassis Unit	CXA4371	132	Sheet	CNM3179
98	Spring	CBL1133	133	Disc Guide Assy	CXA4383
99	Cover	CNC3968	134	Sheet	CNM2553
100	Screw	HBA-258	135	P. C. Board	CNP2806
101	Screw (M2×3)	CBA1062	136	Spacer	CNV2365
102	CRG Holder Unit	CXA4379	137	Photo-interrupter(P842)	ON2160
103	Spacer	CNT1052	138	Gathering P. C. Board	CNX1780
104	Cushion	CNV1863	139	Plug(4P)	CKS1526
105	PU Unit	CGY1023	140	Photo-interrupter(P841)	ON1113
106	Screw	JGZ20P070FNI	141	Screw (M1.7×6)	CBA1163
107	Holder	CNC4073	142	Switch(S842 EJP)	CSH1022
108	Spring	CBL1138	143	TSEL Bracket	CNC4072
109	Screw	JFZ14P016FNI	144	Washer	CBE1027
110	Spring	CBH1430	145	Spring Holder.	CNC3054
111	Holder Unit	CXA4675	146	Roller	CLA2036
112	Screw	JFZ17P030FNI			
113	Weight	CNC4116			
114	Shaft	CLA1197			
115	Arm Unit	CXA3995			

13. CABINET EXPLODED VIEW

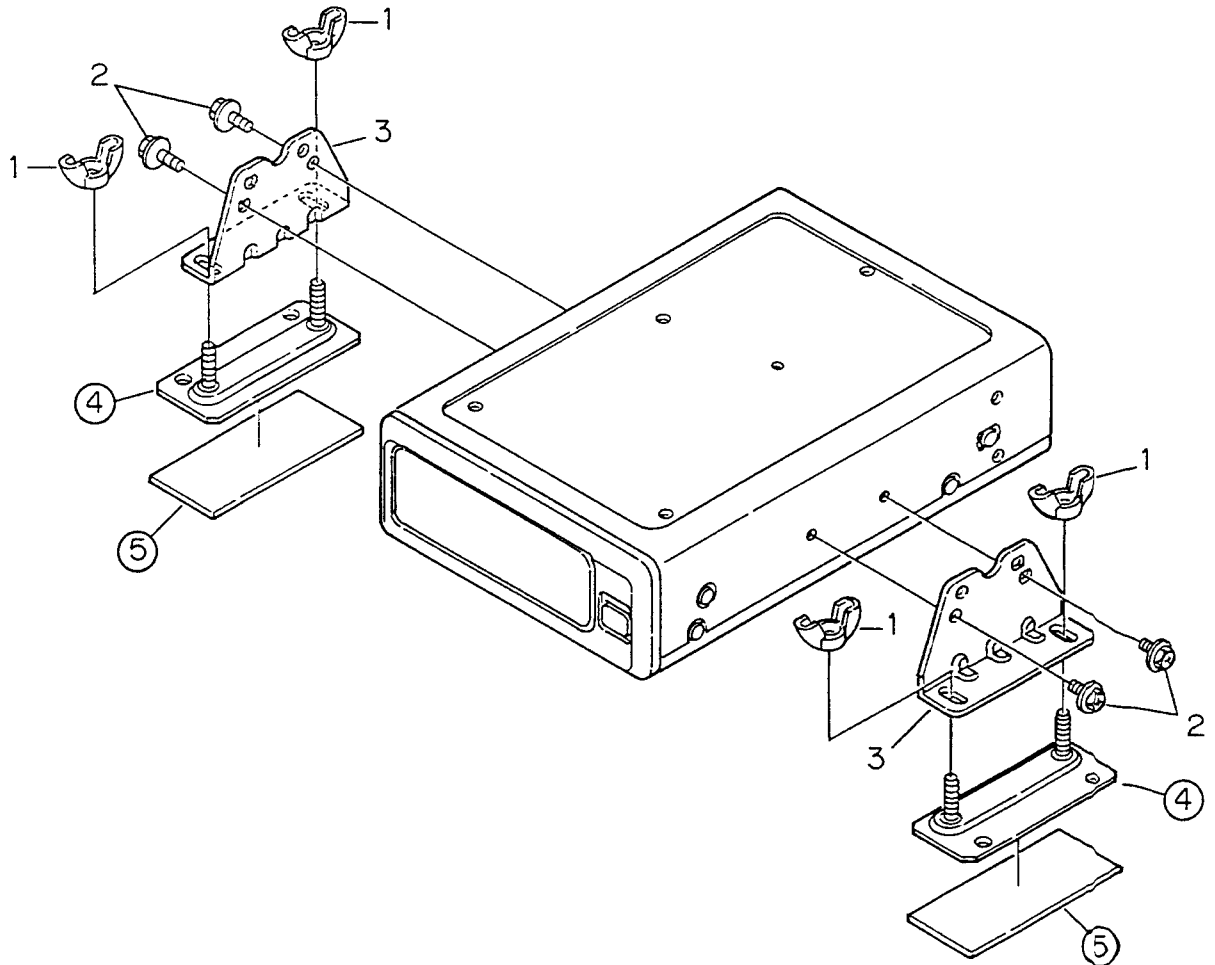


Fig. 39

● Parts List

Mark No.	Description	Part No.
1	Nut	NR60FZK
2	Screw	HMF40P080FZK
3	Angle	CNB1634
4	Base(M30/EW, ES)	CNC4349
5	Cushion(M30/EW, ES)	CNM2647

14. CHASSIS EXPLODED VIEW

●Parts List

Mark No.	Description	Part No.	Mark No.	Description	Part No.
	1 Cushion	CNM2488		33 Connector	CKS1955
	2 Shaft	CLA1949		34 Connector	CKS2271
	3 Shaft	CLA2038		35 Spacer	CNM3339
	4 Door	CAT1435		36 Screw	PMS26P050FMC
	5 Spring	CBH1428	◎	37 Extension Unit	CWX1374
	6 Stopper	CNV2905		38 Plug(4P)	CKS1634
	7 Spring	CBH1426		39 TR Bracket	CNC3993
	8 Chassis L	CNC3846		40 Screw	CBA1181
	9 Damper	CNV3219		41 Chassis R	CNC3845
	10 Damper Holder	CNV2894		42 Clamper	HEF-102
	11 Spring	CBH1379		43 Connector(4P)	CDE3671
◎	12 CD Mechanism Unit	CXK2600		44 P. C. Board	CNP2717
	13 Screw (M2.6×8)	CBA1161		45 Lower Case	CNB1568
	14 Spring Holder	CNC3972		46 Sub Chassis	CNC3995
	15 Spacer	CNM3211		47 Screw	BMZ30P040FMC
	16 Button(OPEN, EJECT)	CAC3153		48 Holder	CNC3994
	17 Lever	CNV2903		49 Connector	CKS2104
	18 Spring	CBH1427		50 Connector(23P)	CKS2226
	19			51 Plug(4P)	CKS1051
	20 Transistor(Q987)	2SB1299		52 DIN Cord	CDE3485
21-23			53 Cord	CDE3741
	24 Screw	PMS30P040FZK		54 Screw	BMZ30P040FZK
	25 Screw(Transportation)	BMZ40P080FRD		55 Connector Bracket	CNC3847
	26 Pin(Transportation)	CLA1969		56 Connector	CKS2101
	27 Upper Case	CNB1567		57 Plug	CKS2372
	28 P. C. Board	CNP3042		58 Screw(M2.6×8)	CBA1186
	29 Connector	CDE2949		59	
	30 Screw	BMZ26P040FMC		60 Grille	CNS2380
◎	31 Main Unit	CWX1373		61 Grille Assy	CXA4679
	32 Connector	CKS1958		62 Spacer	CNM3452
				63 Cushion	CNM3328
				64 Spacer	CNM3208

●Chassis

A

B

C

D

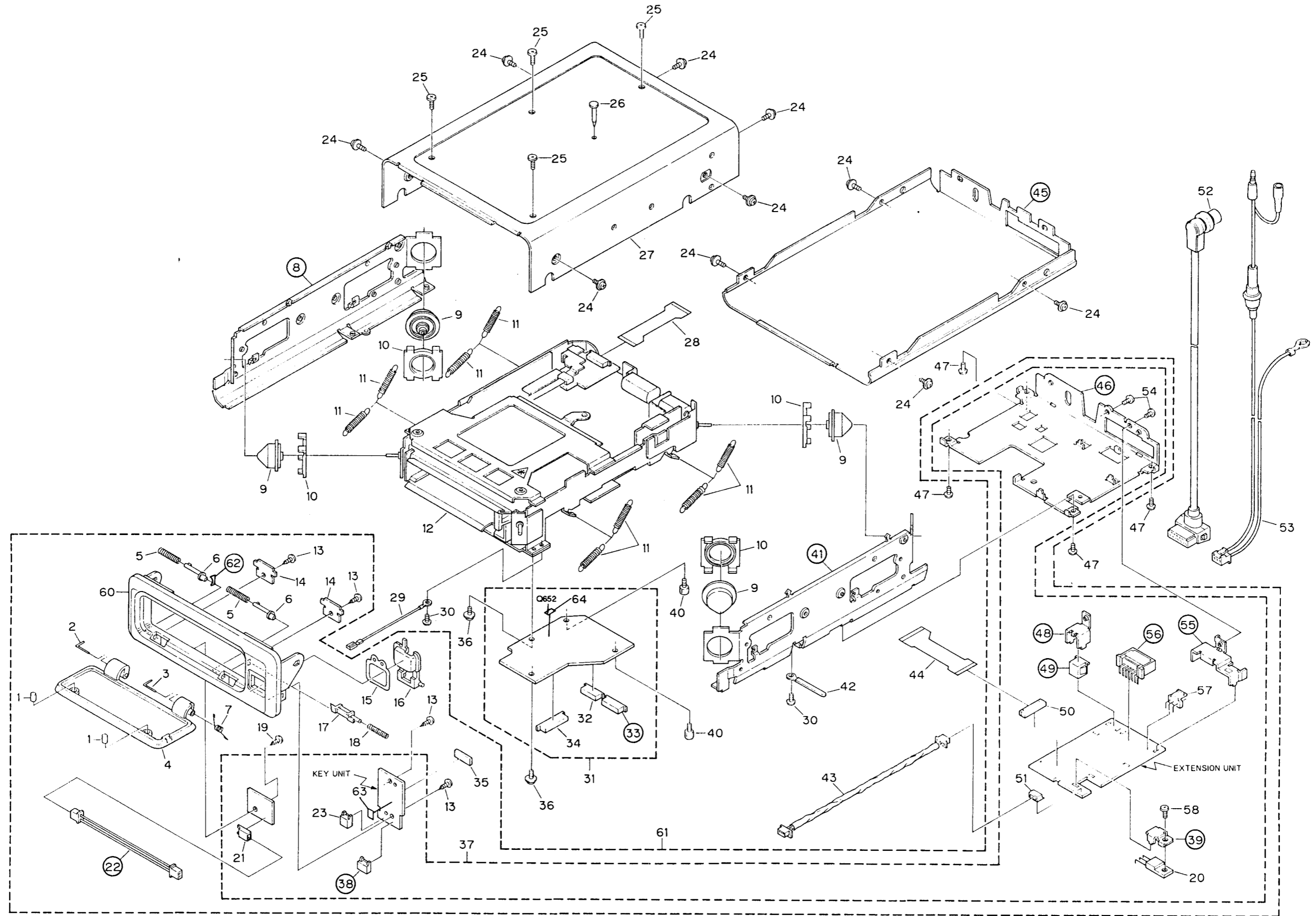


Fig. 40

17. ELECTRICAL PARTS LIST

NOTE:

- Parts whose parts numbers are omitted are subject to being not supplied.
- The part numbers shown below indicate chip components.

Chip Resistor

RS1/□□□□□□□□,RS1/□□□□□□□□

Chip Capacitor (except for CQS.....)

CKS....., CCS....., CSZS.....

Unit Number :	====Circuit Symbol & No. Part							Name=====	Part No.
Unit Name :Main Unit	R	375	377	609	611	613	651	653 656 658 663	RS1/16S102J
	R	379							RS1/16S513J
	R	380							RS1/16S104J
	R	381							RS1/16S133J
	R	606							RS1/16S224J
MISCELLANEOUS									
====Circuit Symbol & No. Part									
IC 351									UPC1347GS
IC 601									GGF9001
IC 602 652									(UPD6374GH-501) RC4558M
IC 651									PA3026
IC 661									TA78L05F
IC 701									UPD6375GC
IC 702									TC9237F
IC 703									TA2009F
IC 751									PD5180A
IC 755									LH5116HN-10T
IC 801									XRA6247FP
Q 351									2SB1260
Q 601									2SB709A
Q 651 705 801									UN2211
Q 652									2SB1184F5
Q 653 802									2SB1184F5
Q 751									UN2111
D 651									SC016-2
D 652									SC016-2
D 751									MA151A-MA
D 752									MA151WK-MT
D 754 755 756 758									MA153-MC
D 757									MA153-MC
D 759									MA151A-MA
L 701 751									Inductor CTF1138
X 702									Crystal Resonator CSS1067
X 751									CSS1084
VR 351									Semi-fixed 22kΩ(B) CCP1021
VR 352 355 356									Semi-fixed 47kΩ(B) CCP1023
VR 353 354									Semi-fixed 2.2kΩ(B) CCP1015
RESISTORS									
R 351									RS1/2S220J
R 352									RS1/16S472J
R 353									RS1/16S623J
R 354 781 795									RS1/16S473J
R 355									RS1/16S122J
R 356 357									RS1/16S683J
R 358 359									RS1/16S332J
R 360									RS1/16S684J
R 361									RS1/16S153J
R 364									RS1/16S102J
R 369 605 607 661 666 713 775 810									RS1/16S103J
R 370									RS1/16S133J
R 371 373									RS1/16S223J
R 372 615 616									RS1/16S472J
R 374 614 664 667 669 670									RS1/16S912J
	R	610	901	902	903	904	905		RS1/16S103J
	R	617	915						RS1/16S102J
	R	652	654	655	657				RS1/16S162J
	R	660	662	665					RS1/10S151J
	R	668							RS1/16S752J
	R	671	672	702	703	704	791	802 803	RS1/16S102J
	R	701							RS1/16S272J
	R	708							RS1/16S201J
	R	709	909						RS1/16S0R0J
	R	711	712						RS1/16S100J
	R	716	804						RS1/16S102J
	R	717	751	789	821	822	910	913	RS1/16S0R0J
	R	752							RS1/16S223J
	R	753	760	797	911				RS1/16S473J
	R	754	777	782	784	788	796		RS1/16S104J
	R	755	758	759	762	763	765	773 787	RS1/16S222J
	R	756							RS1/16S681J
	R	757							RS1/16S222J
	R	761	767	798	799				RS1/16S104J
	R	766	772	786	790	794	807		RS1/16S563J
	R	770	771	779	780				RS1/16S681J
	R	792							RS1/16S101J
	R	805	806						RS1/16S563J
	R	811	812	813					RS1/10S151J
	R	906	907						RS1/16S222J
	R	908							RS1/16S103J
	R	912							RS1/16S103J
									CAPACITORS
	C	351	717						CEV470M6R3
	C	352							CKSQYB104K25
	C	353	714						CEV101M6R3
	C	354	355	609	610	702			CEV100M16
	C	357	359	366					CKSQYB102K50
	C	358							CCSRCH331J50
	C	360							CCSRCH271J50
	C	361							CCSRCH220J50
	C	367							CKSQYB154K25
	C	368	751	753					CKSQYB104K25
	C	369	604	606	652	654	710	715	716 721 722
	C	370							CKSQYB473K25
	C	373	607						CKSQYB224K25
	C	601							CKSQYB222K50
	C	603							CCSRCH331J50
	C	605	611	659	666	709	762	763	CKSQYB103K25
	C	608							CEV010M50
	C	614	657	658					CKSQYB821K50
	C	655	656						CKSQYB273K25
	C	663							CKSQYB333K25

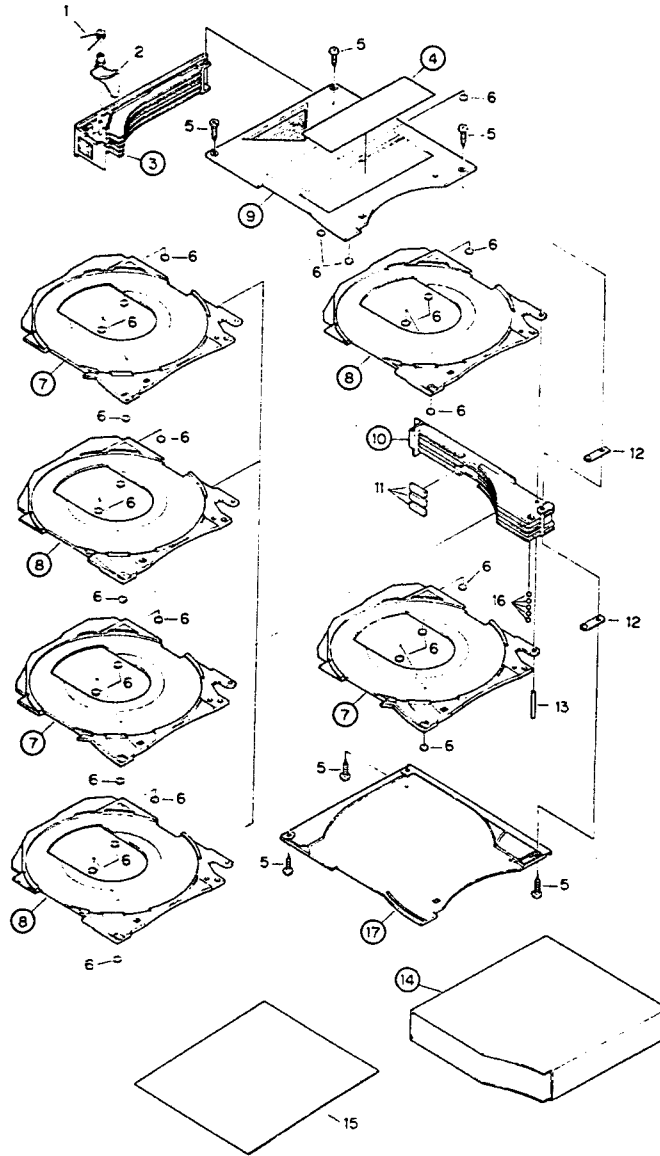
====Circuit Symbol & No. Part	Name=====	Part No.	====Circuit Symbol & No. Part	Name=====	Part No.
C 665	400 μ F/10V	CCH1120	C 987		CEA470M10LL
C 667		CSZST220M16	C 990		CKCYB472K50
C 703		CCSRCH470J50		Unit Number :	
C 704 705		CCSRCH080D50		Unit Name :Key Unit	
C 718		CEV330M6R3			
C 719 720		CEV100M16	D991(CDX-M33/US)		AA3822K-R
C 752 764 765		CCSRCH221J50	SW991	Switch(Reset)	CSG1035
C 756		CKSRYP472K50	SW992	Switch(Eject)	CSG1004
C 757		CKSRYP103K25			
C 801		CEV220M16		Unit Number:	
C 802 803		CKSQYB223K25		Unit Name :Mechanism P.C.Board	
	Unit Number :		S 843	Switch(Home)	CSN1012
	Unit Name :Extension Unit		S 845 846	Switch(DCPT,TRPT)	CSN1022
			M 841	Motor Unit(Carriage)	CXA4316
			M 842	Motor Unit(Spindle)	CXA4540
			M 843	Motor Unit(ELV)	CXA3238
	MISCELLANEOUS		M 844	TRAY Motor Unit	CXA3729
IC 971		M5218AL		Unit Number:	
IC 972		BA3121		Unit Name :Photo P.C.Board	
IC 981		M51957AL	D 841		HZS9A2L
IC 982		M51958AL	VR 841	Semi-fixed 22k Ω (B)	CCP-380
Q 970 971		DTC314TS	S 841	Switch(MAG)	CSN1020
Q 972 985 988		DTA114ES	S 842	Switch(EJP)	CSH1022
Q 973 986 989		DTC114YS	P 841	Photo-Interrupter	ON1113
Q 981 992		DTC114ES			
Q 983		2SC3673	P 842	Photo-Interrupter	ON2160
Q 984		2SD1859	R 841		RD1/4PS560JL
Q 987		2SB1299	R 842		RD1/4PS221JL
Q 990 991		2SC2458	R 843		RD1/4PS103JL
D 971 972 973		1SS133		Miscellaneous Parts List	
D 974 981 984		ERA15-02VH	PU Unit		CGY1023
D 982		HZS20L1	D992(CDX-M33/US)		MAA4565S-R
D 985 987		HZS6LB1			
D 986		RD9R1JSB1			
D 989		HZS11B1L			
L 981	Choke Coil	CTH1047			
EF 981	EMI Filter	CCG1006			
	RESISTORS				
R 970 971		RD1/4PS113JL			
R 972 973		RD1/4PS163JL			
R 974 975		RD1/4PS332JL			
R 976 977		RD1/4PS182JL			
R 978 979		RD1/4PS122JL			
R 980		RD1/4PS333JL			
R 981		RD1/4PS363JL			
R 982		RD1/4PS184JL			
R 983		RD1/4PS153JL			
R 984 985 992		RD1/4PS103JL			
R 986 995		RD1/4PS681JL			
R 987		RD1/4PS683JL			
R 988		RD1/4PS473JL			
R 989		RD1/4PS102JL			
R 991		RD1/4PS222JL			
R 993 994		RD1/4PS331JL			
R 996		RD1/4PS242JL			
R 997		RD1/4PS362JL			
R 998 999(CDX-M33/US)		RD1/4PS391JL			
	CAPACITORS				
C 970		CEA101M10LL			
C 971 979 981 984 988		CKCYB472K50			
C 972 973		CCCCH470J50			
C 974 975		CEA4R7M35LL			
C 976 977		CEA330M10LL			
C 978		CEA4R7M35LL			
C 980 989		CEA470M16LL			
C 982 983	470 μ F/16V	CCH1080			
C 985		CEA101M6R3LL			
C 986		CEA100M16LL			

Note:

- The CDX-M33/US, CDX-M30/EW and CDX-M30/ES Parts Lists enumerate the parts which differ from those enumerated in the CDX-M30/UC Parts List only. The parts other than those enumerated in the former are identical with those in the latter, to which you are requested to refer, accordingly. The CDX-M30/UC Parts List is given on page 62.

	M30/UC	M33/US	M30/EW	M30/ES
Mark No. Description	Part No.	Part No.	Part No.	Part No.
4 Door	CAT1435	CAT1437	CAT1435	CAT1435
16 Button	CAC3153	CAC3022	CAC3153	CAC3153
19 Screw	CBA1161
21 Plug	CKS1049
22 Connector	CDE3746
23 Plug	CKS1632
27 Upper Case	CNB1567	CNB1570	CNB1569	CNB1567
● 37 Extension Unit	CWX1374	CWX1444	CWX1374	CWX1374
45 Lower Case	CNB1568	CNB1571	CNB1568	CNB1568
53 Cord	CDE3741	CDE3741	CDE3742	CDE3741
60 Grille	CNS2380	CXA4431 (Grille Unit)	CNS2380	CNS2380
61 Grille Assy	CXA4679	CXA4680	CXA4679	CXA4679

15. MAGAZINE (PXA1356) EXPLODED VIEW



● Parts List

Fig. 41

Mark No.	Description	Part No.	Mark No.	Description	Part No.
1	Spring M	PBH1067	11	Cushion Rubber	PNM1011
2	Lever	PNW1386	12	Spring	PBK-085
3	Case F	PNW1799	13	Shaft	PLB-281
4	Caution Label	PRW1139	14	PP Case	PHN1031
5	Screw	BPZ20P080FZK	15	Label	PRW1197
6	Cushion	PED-049	16	Ball	PBP-005
7	Tray A	PNW1935	17	Case B	PNW1596
8	Tray B	PNW1936			
9	Case T	PNW1126			
10	Case L	PNW1800			

16. PACKING METHOD

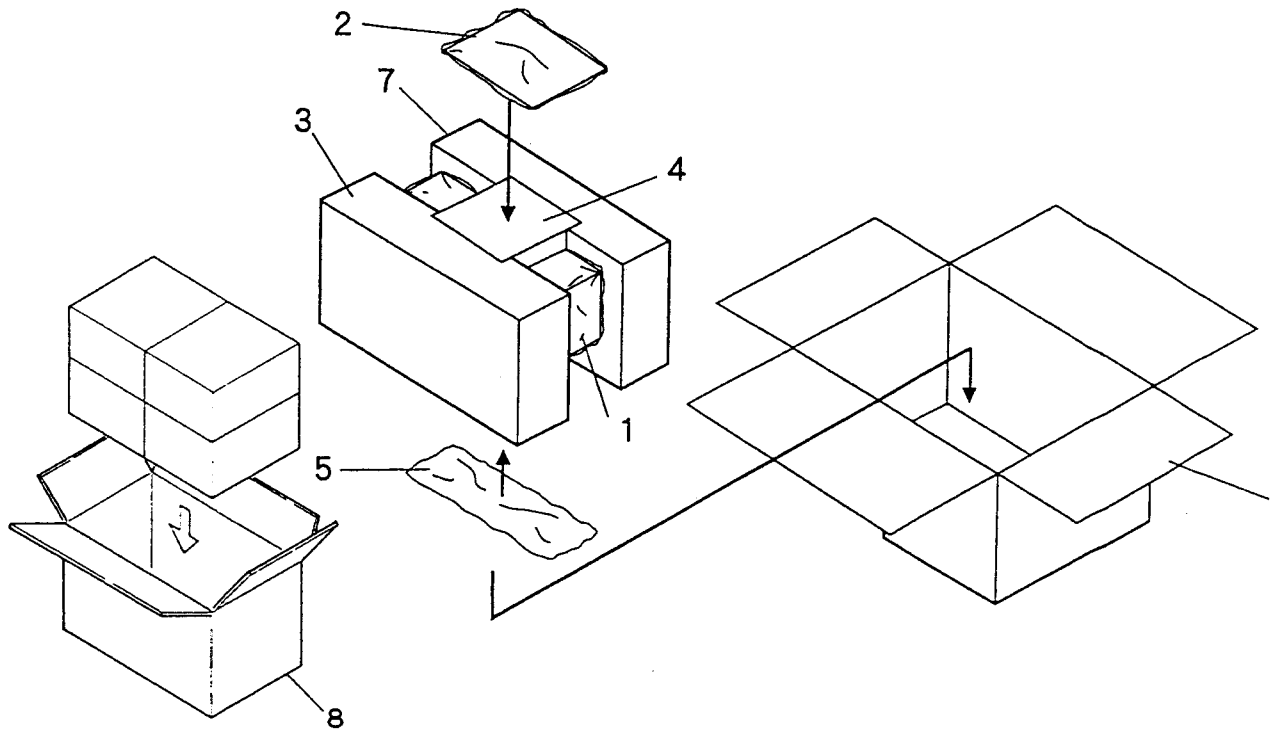


Fig. 42

● Parts List (CDX-M30/UC)

Mark No.	Description	Part No.	Mark No.	Description	Part No.
	1 Cover	CEG1091		5-3-6 Screw(×1)	PMB50Y160FMC
	Caution Card	CRP1098		5-3-7 Nut(×1)	NF40FMC
	Sheet	CNM2887		5-3-8 Nut(×1)	NF50FMC
*	Caution Card(Screw)	CRP1090		5-3-9 Nut(×4)	NR60FZK
*	Polyethylene Bag	CEG1099		5-3-10 Washer(×1)	WS40FMC
	2 Polyethylene Bag	E36-618		5-4 Cord	CDE3741
	2-1 Owner's Manual	CRD1554		5-5 Angle(×2)	CNB1634
	2-2			5-6	
*	2-3 Card	ARY1048		5-7 Polyethylene Bag	E36-622
	3 Styrofoam	CHP1313	*	5-8 Clamper	CEF1010
	4 Magazine	PXA1356		6 Carton	CHG2157
	5 Accessory Assy	CEA1713		7 Styrofoam	CHP1312
	5-1 DIN Cord	CDE3485		8 Contain Box	CHL2157
	5-2 Strap	CNF-111			
*	5-3 Screw Assy	CEA1563			
	5-3-1 Screw for Strap(×1)	CBA-028			
	5-3-2 Screw(×4)	CBA1069			
*	5-3-3 Polyethylene Bag	E36-615			
	5-3-4 Screw(×4)	HMB60P500FZK			
	5-3-5 Screw(×4)	HMF40P080FZK			

Note:

- The CDX-M33/US, CDX-M30/EW and CDX-M30/ES Parts Lists enumerate the parts which differ from those enumerated in the CDX-M30/UC Parts List only. The parts other than those enumerated in the former are identical with those in the latter, to which you are requested to refer, accordingly. The CDX-M30/UC Parts List is given on page 67.

	M30/UC	M33/US	M30/EW	M30/ES
Mark No. Description	Part No.	Part No.	Part No.	Part No.
1 Sheel	CNM2887	CNM2916	CNM2887	CNM2887
2-1 Owner's Manual	CRD1554	CRB1235	CRD1555	CRD1557
Owner's Manual	CRD1556
2-2 Cushion(×2)	CNM2647	CNM2647
* 2-3 Card	ARY1048	ARY1048	CRY-062
5 Accessory Assy	CEA1713	CEA1713	CEA1715	CEA1714
5-4 Cord	CDE3741	CDE3741	CDE3742	CDE3741
5-6 Base	CNC4349	CNC4349
6 Carton	CHG2157	CHG2156	CHG2158	CHG2159
8 Contain Box	CHL2157	CHL2156	*CHL2158	*CHL2159

2-1 Owner's Manual

Part No.	Model	Language
CRB1235	CDX-M33/US	English
CRD1554	CDX-M30/UC	English, French
CRD1555	CDX-M30/EW	English, French, German, Spanish, Portuguese
CRD1556	CDX-M30/EW	Swedish, Norwegian, Dutch, Italian, Finnish
CRD1557	CDX-M30/ES	English, French, Spanish, Arabic

18. CIRCUIT DESCRIPTION

1. Preamplifier Stage

This unit processes a pickup output signal to make signals for subsequent stages, i.e. servo unit, modulator unit and control unit. The signal from the pickup is converted on an I-V basis in a photodetector-builtin preamplifier inside the pickup.

Besides, an addition is made to the signal in an RF amplifier (IC351) to obtain RF, FE and TE signals.

The preamplifier unit has a configuration with one-chip IC UPD1347GS mainly employed. It is described in detail below.

The present system, which is of single power (+5 V) type, has 2.5 volts available for both RF Amplifier Reference Voltage Vref and other signal circuit reference voltage REFOUT. Voltages referred to below are to be expressed in Unit [REFOUT]. (A voltage based on a reference value of 0 (V) is to be expressed in Unit [V] .) The IC is a 36-pin flat package, which has an internal configuration as shown in Fig. 43.

This IC is described below concerning its internal component parts.

(NOTE) Pin 19 on IC351 has Vref (2.5 V), which in turn serves as the reference voltage in the RF amplifier. For measurements, adjustments, etc., apply REFOUT obtained by passing REFO of Pin 29 on IC601 through a buffer.

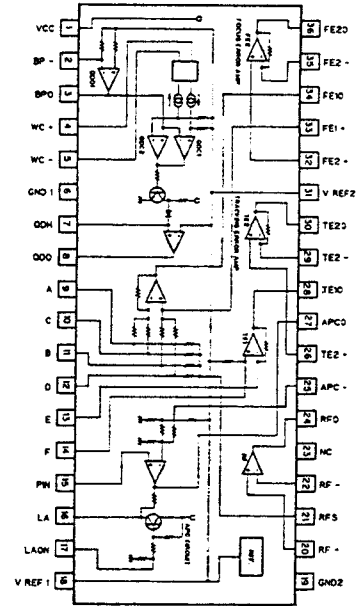


Fig. 43 Block diagram

(1) RF amplifier

Photodetector Outputs A, B, C and D are added in amplifier (1) so that (A + B + C + D) will be outputted to RFO. (This terminal permits an eye pattern to be checked.) RFO output voltage VRFO has lowfrequency components as follows:

$$VRFO [REFOUT] = -[(R358 + R353)/10 k] \times (A + B + C + D)$$

For RFO output (Pin 24, an RF output at a level of VRFO = 1.9 Vp-p, AC., is available, with REFOUT at the center.

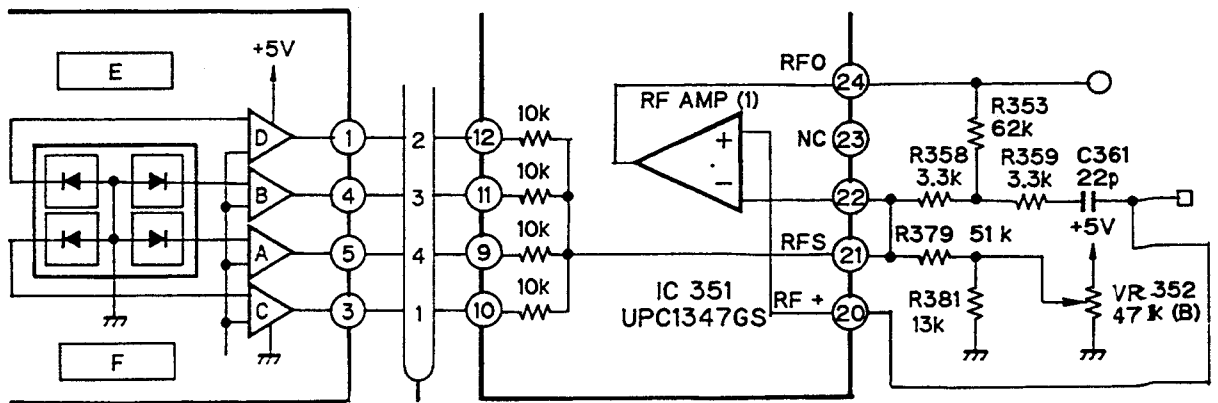


Fig. 44 Block diagram

(2) Focus error amplifier

Photodetector outputs A, B, C and D are inputted to both differential and focus-error amplifiers so that $A + C - B - D$ will be outputted.

An FE output voltage (low frequency) will be :

$$V_{FE} = 5 \times 25 \text{ k} / R_A \times (A + C - B - D) / [R_{FOUT}]$$

An FE output (Pin 26) of about 2.5 (V) is available as an S-shaped curve.

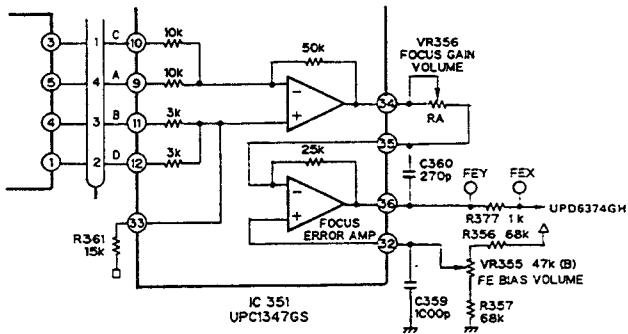


Fig. 45 Focus error amplifier

(4) APC circuit

A laser diode, if driven at a constant current, will have a negative temperature curve with a large optical output. It is necessary, therefore, to control the current with a monitor photodiode so that a constant output will be available. This is an APC circuit. The present system has LDI set to approximately 50 thru 60 mA.

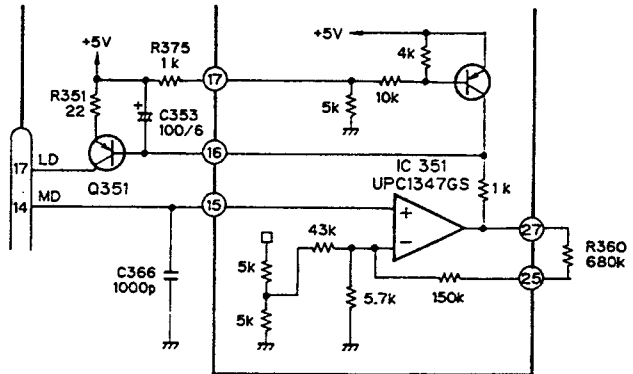


Fig. 47 APC circuit

(3) Tracking error amplifier

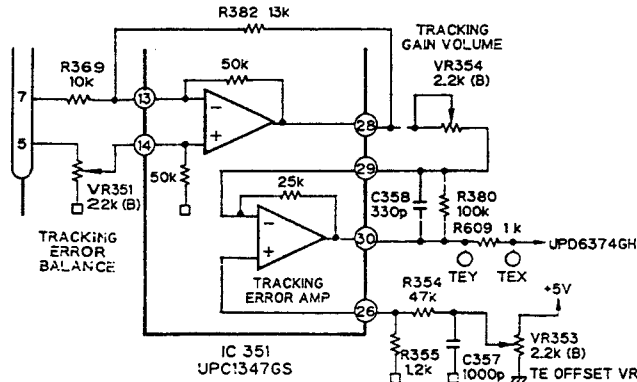


Fig. 46 Tracking error amplifier

The side-spot voltages inputted to E and F are amplified in differential and tracking-error amplifiers so that an output (E-F) can be obtained.

$$V_{TE} = 50 \text{ k} / 13 \text{ k} / 10 \text{ k} \times 100 \text{ k} / 25 \text{ k} / R_B \times (E-F) [R_{FOUT}]$$

The TE offset VR, moreover, is to cancel a DC offset from the preamplifier to the servo amplifier while the TE balance VR is to adjust the tracking signal symmetry. These are the prerequisites to mainly perform an operation of tracking normally. A tracking error of approximately 2 (v) p-p is available as an output of pin 20.

2. Servo Stage

This unit has FE, TE and RF outputs received as its inputs from the RF amplifier. And the analog signals are converted to the digital ones, which are in turn used to execute the servo operations of focus tracking, carriage and spindle and the servo control of in-focus track jump, etc. subject to an instruction from the system microcomputer. IC UPD6374GH (48 pins, flat package) is mainly employed, with the block diagram given in Fig. 48. In addition, this IC has an automatic sequencer built in to perform track jumps, etc; based on the serial data transferred from the system microcomputer. The servo unit is described below on a component by component basis.

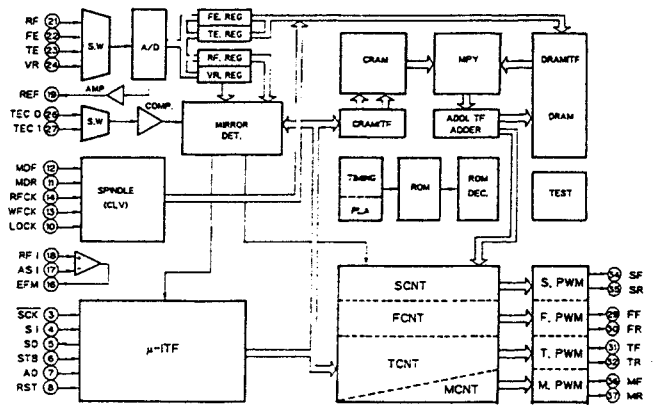
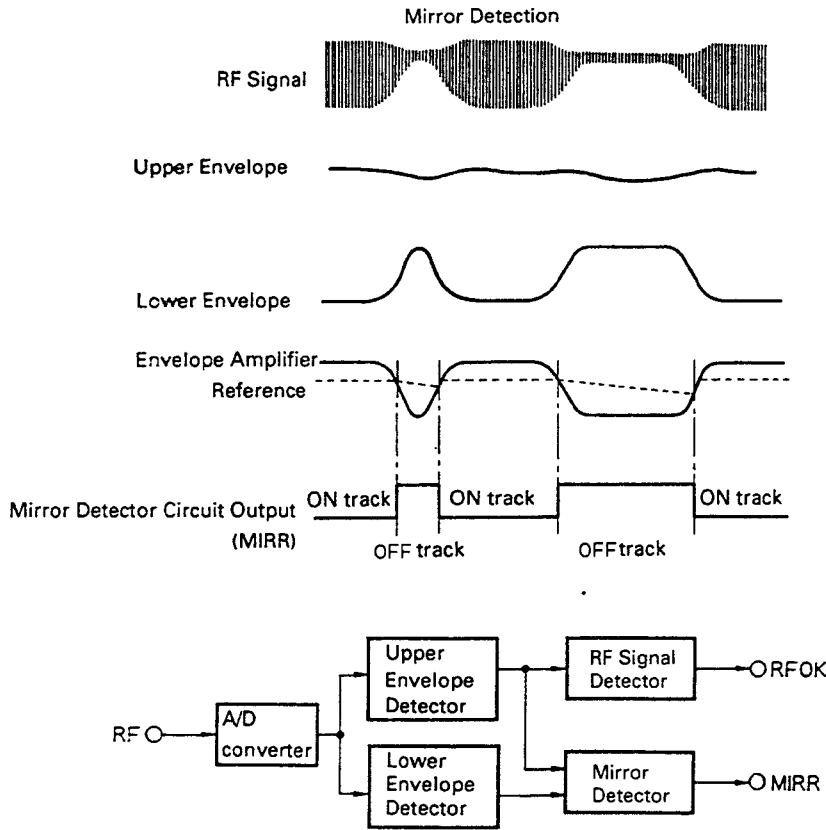


Fig. 48 UPD6374GH Block diagram

(1) Mirror circuit

The mirror detector circuit is to determine an on-track or off-track status by detecting a mirror status, with an envelope amplitude extracted from an RF signal. For the reference to detect a lack of amplitude, the envelope amplitude is held at the peak with a sufficient

large time constant and multiplied by two-thirds to obtain the reference value. Should an RF signal have no amplitude available (with the focus servo removed), the mirror detector circuit has an output (MIRR) go "H."



RF detector / mirror detector circuit block diagram

Fig. 49 Mirror circuit

(2) Focus OK circuit

The FOK circuit compares the upper envelope of an RF signal with the value set by the microcomputer and outputs a result of such comparison at the FOK terminal. ("H" is outputted, with [RF signal's upper envelope] > [set value].)

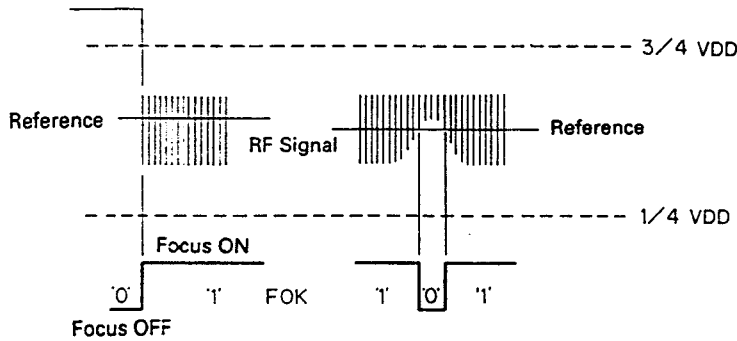


Fig. 50

(3) EFM comparator

The EFM comparator is to digitize an RF signal. Since its error rate increases under the influence of an asymmetry generated, the EFM output signal is made to pass through a low-pass filter by making use of the fact that a bit is generated at a probability of 50%. And the signal so filtrated is taken for a comparison level. The present system has a low-pass filter cut off $f_c = 3.3$ (Hz) for C604 and R606 and $f_c = 1.6$ (kHz) for C605 and R607.

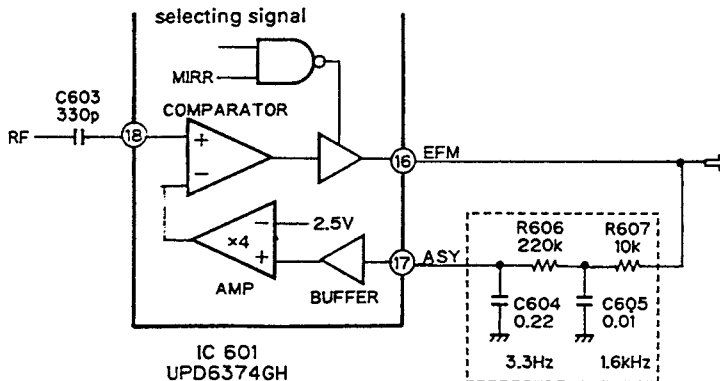


Fig. 51 EFM comparator

(4) Command code

A list of the commands used in the present system is given below.

10H	SK	TM	TEH	FR	TK	TB	T CNT	BRK
11H	FON	TON	SON	MON	FST	DFCT	JSK	TAB
12H	SLED NON-SENSITIVE AREA				HSL	SCV	RFP	TFP
13H	FOK LEVEL				FSPV 1	FSPV 0	T1	T0
14H	00 (h)							
15H	0	0	0	0	0	TCS	CV2	E3EN
16H	0	0	0	0	FPW	TPW	SPW	MPW

20H	TRACK KICK LEVEL a	
21H	TRACK KICK LEVEL b	
22H	TRACK KICK TIME A	
23H	TRACK KICK TIME B / TRAVERSE COUNTER N (H)	
24H	TRAVERSE COUNTER N (L)	
25H	SLED KICK LEVEL	SL1 SL0 0 0

<Description of Functions>

- SK:** sled kick control; the sled is kicked at a value set in 25 H, when SK is set to "1."
- TM:** tracking mute control
With TM = "1," the tracking output is put by TEH into either PRECEDING VALUE HOLD or REFERENCE HOLD (Data 00 value) mode.
With TM "0," a result of tracking and filtration is outputted (in the normal mode).
- TEH:** error hold control upon track jump
With SK = TM = "1," the tracking output has PRECEDING VALUE HOLD or REFERENCE HOLD mode selected.
REFERENCE HOLD, with TEH = "0" and PRECEDING VALUE HOLD, with TEH = "1"
- FR:** output level polarity control upon tracking and upon sled kicking
With FR = "0," a value available at output level registers (20,21 and 25 H) is multiplied by -1 and outputted.
With FR = "1," an output level register is outputted unchangedly.
- TK:** controlling both track jump trigger and traverse counter load; it has two meanings according to the T. CNT bit.
With T.CNT = "0," set the TK bit to "1" and the track jump sequencer will start.
With T.CNT = "1," set the TK bit to "1" and the traverse counter will be loaded with Values 23 H and 24 H.
- BRK:** half-wave brake circuit control
With BRC = "1," the half-wave brake is ON.
- TB:** selecting a tracking filter coefficient bank:
With TB = "0," the tracking filter bank goes 0.
With TB = "1," the tracking filter bank goes 1.
FON, TON, SON and MON: servo output (PWM output) on/off control
With any = "1," the PWM output is on.
With any = "0," the PWM output has stopped.
With PWM output stopped, a high impedance is outputted with the PWM in the single-phase 3-value output mode.

- FST:** focus search control
With FST = "1," a focus search will be started if FON = 1.
- DFCT:** tracking output hold control with flaw detected
With DFCT = "1," the tracking hold is outputted upon detection of flaw.
- JSK:** sled kick control upon jump
With JSK = "1," the sled is kicked at a level set in 25 H for a duration of the track jump.
- TAB:** track jump sequencer operation abort control
With TAB = "1," the track jump sequencer stops operating.
SLED NON-SENSITIVE AREA: A sled dead zone is controlled at an absolute value of 4 bits. selecting the tracking output hold control
- HSL:** selecting the tracking output hold control
With HSL = "0," the tracking output hold is controlled by a missing FOK signal.
With HSL = "1," the tracking output hold is controlled by means of an external hold.
- SCV:** selecting a sled servo control with CLV lock
With SCV = "0," the sled servo is turned off (with PWM output stopped) to unlock CLV.
With SCV = "1," the sled servo is normally on, irrespective of whether or not CLV is locked.
- RFP:** selecting the polarity of data to an RF processor system (circuits to generate FOK, MIRR, etc.)
- TFP:** selecting the polarity of a tracking error zero cross (TEC) signal
- FOK LEVEL:** setting a reference value in the RF detector circuit
- FSPW1, FSPW0:** selecting a PWM output carrier
FSPW0: changing a motor system PWM carrier 88.2 kHz with FSPW0 = "0" and 22.05 kHz with FSPW0 = "1."
FSPW1: changing an actuator system PWM carrier 88.2 kHz with FSPW1 = "0" and 176.4 kHz with FSPW1 = "1."

T1, T0: square wave cycle upon focus search

SETTING		CYCLE
T0	T1	
0	0	approx. 0.74 sec. ($2^{16}/Fs$)
0	1	approx. 1.49 sec. ($2^{17}/Fs$)
1	0	approx. 2.97 sec. ($2^{18}/Fs$)
1	1	approx. 5.94 sec. ($2^{19}/Fs$)

20 H, 21 H:

register to set a kick level upon track jump

22 H, 23 H:

register to set a kick time upon track jump

Kick Time = (set value + 1) × 1/Fs (11.3 μs)

23H, 24H:

traverse counter setting register

25H: sled kick setting register

SLED KIK LEVEL:

sled kick level setting register

SL1, SL0:

selecting SLED FULL KICK or SHORT mode

SL1	SL0	MODE
0	1	short
1	0	full kick
0	0	normal kick

TCS: selecting the tracking zero cross comparator
TECO input, with TCS = "0" and
TEC1 input, with TCS = "1"

CV2: selecting the sensitivity of CLV error detector
with speed doubled
Normal speed selected, with CV2 = "0" and
Double speed selected, with CV2 = "1"

E3EN: controlling the function of protecting EFM ≤
3T upon high-speed access
protector off, with E3EN = "0" and Protector
on, with E3EN = "1."

(5) Focus servo system

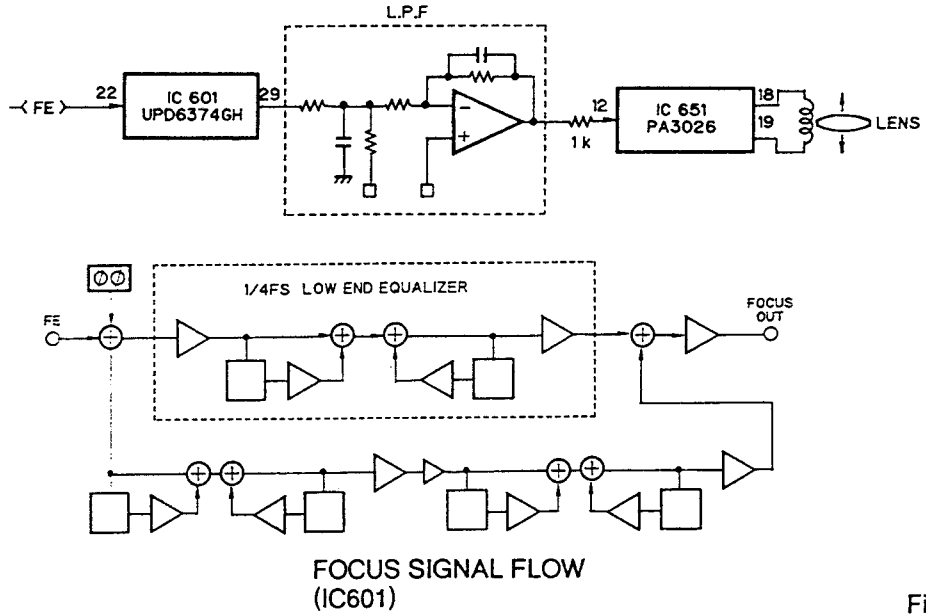


Fig. 52

The digital loop filter is built in the interior of the IC. Sending a coefficient from the microcomputer will allow you to obtain a desired equalizer curve. The present system has an equalizer curve shown in Fig. 56.

a) In-focus

In the in-focus sequence, the lens is driven into a focus S-curve (approx. 10 μm) to close the servo loop on an in-focus basis. A flow of signals in focus is shown in Fig. 53.

The search voltage is designed to fall within a range of the lens drive distance ± 1.0 mm, being entirely dependent upon the sensitivity of a focus actuator. In the present system, both gain (voltage) and time constant are determined according to a coefficient from the microcomputer, based on the pulse in a specified cycle, which has been set in a register. The timing in which a focus is to be closed, moreover, is generated, based on the value which has been set as referred to in a signal flow shown in Fig. 54.

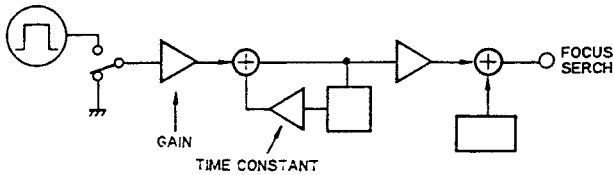


Fig. 53

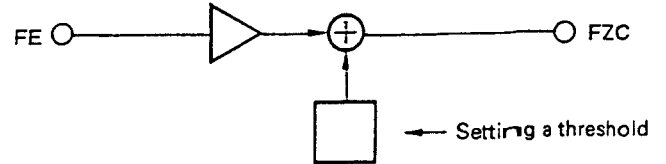


Fig. 54

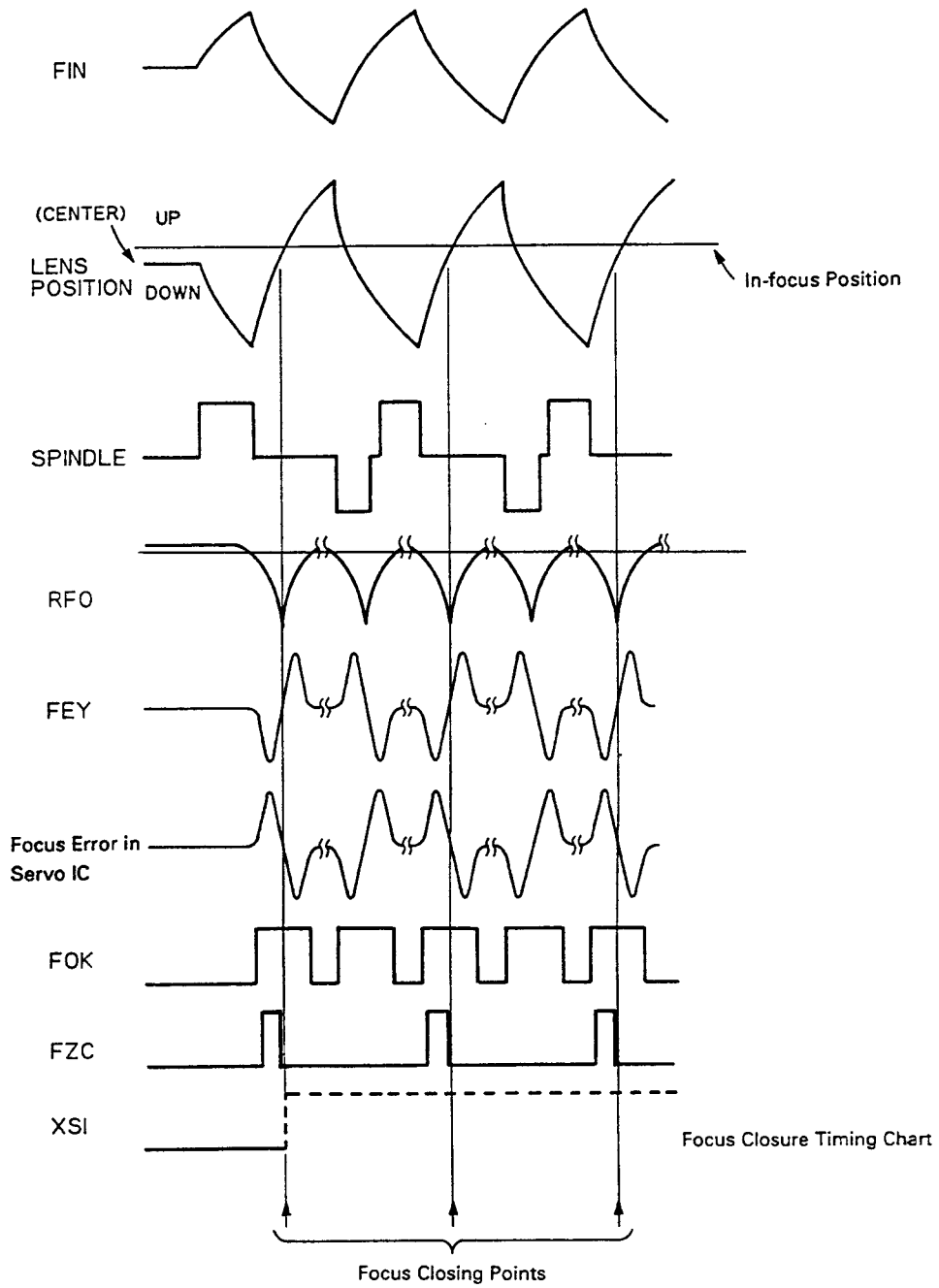


Fig. 55

(6) Focus equalizer

The present system permits a specific equalizer curve to be obtained according to the coefficient sent from the microcomputer. A digital filter built in IC UPD6374GH and an active filter mounted in the exterior are used to obtain a specified equalizer curve.

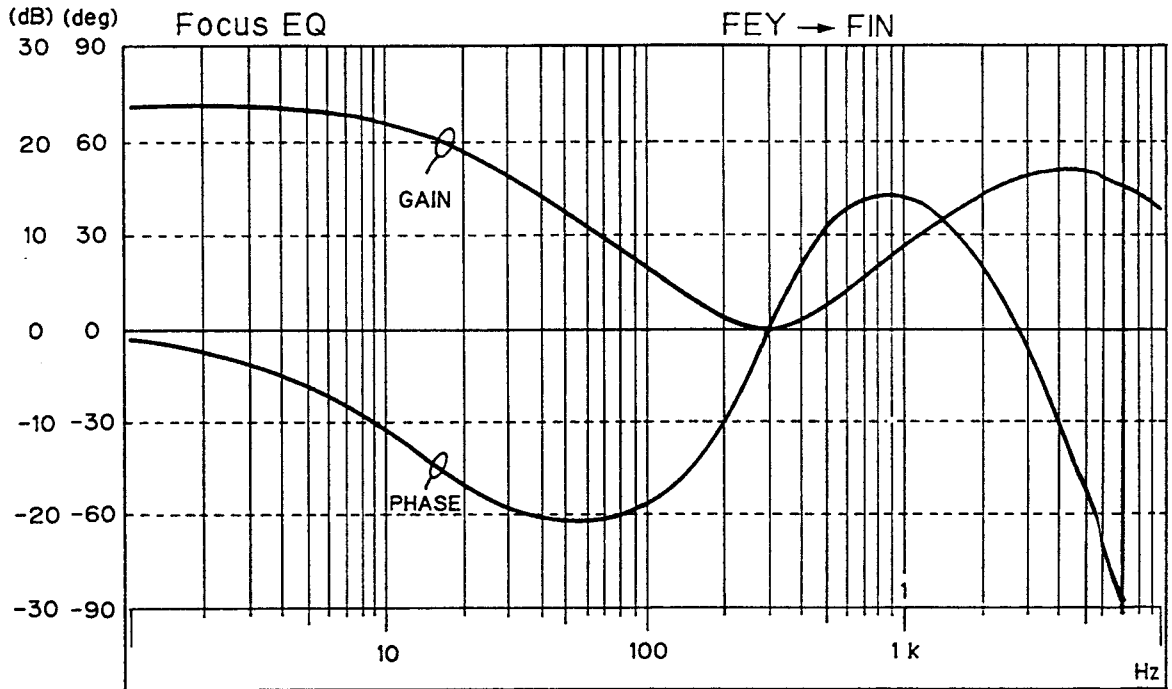


Fig. 56 Focus equalizer (Example)

(7) Tracking carriage servo system

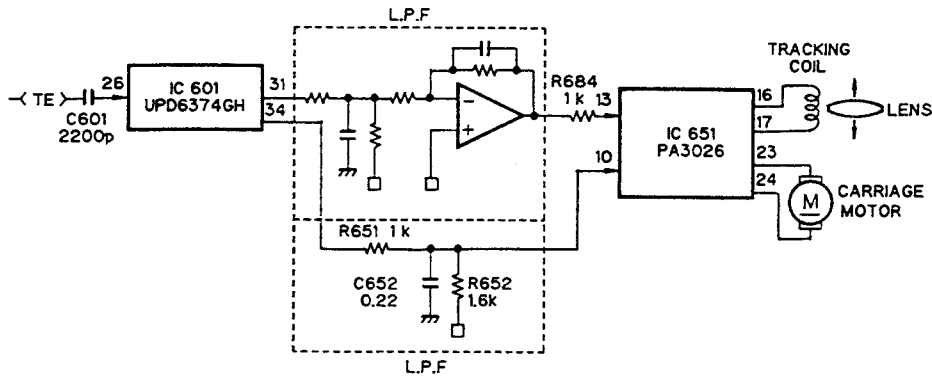


Fig. 57 Tracking carriage servo block diagram

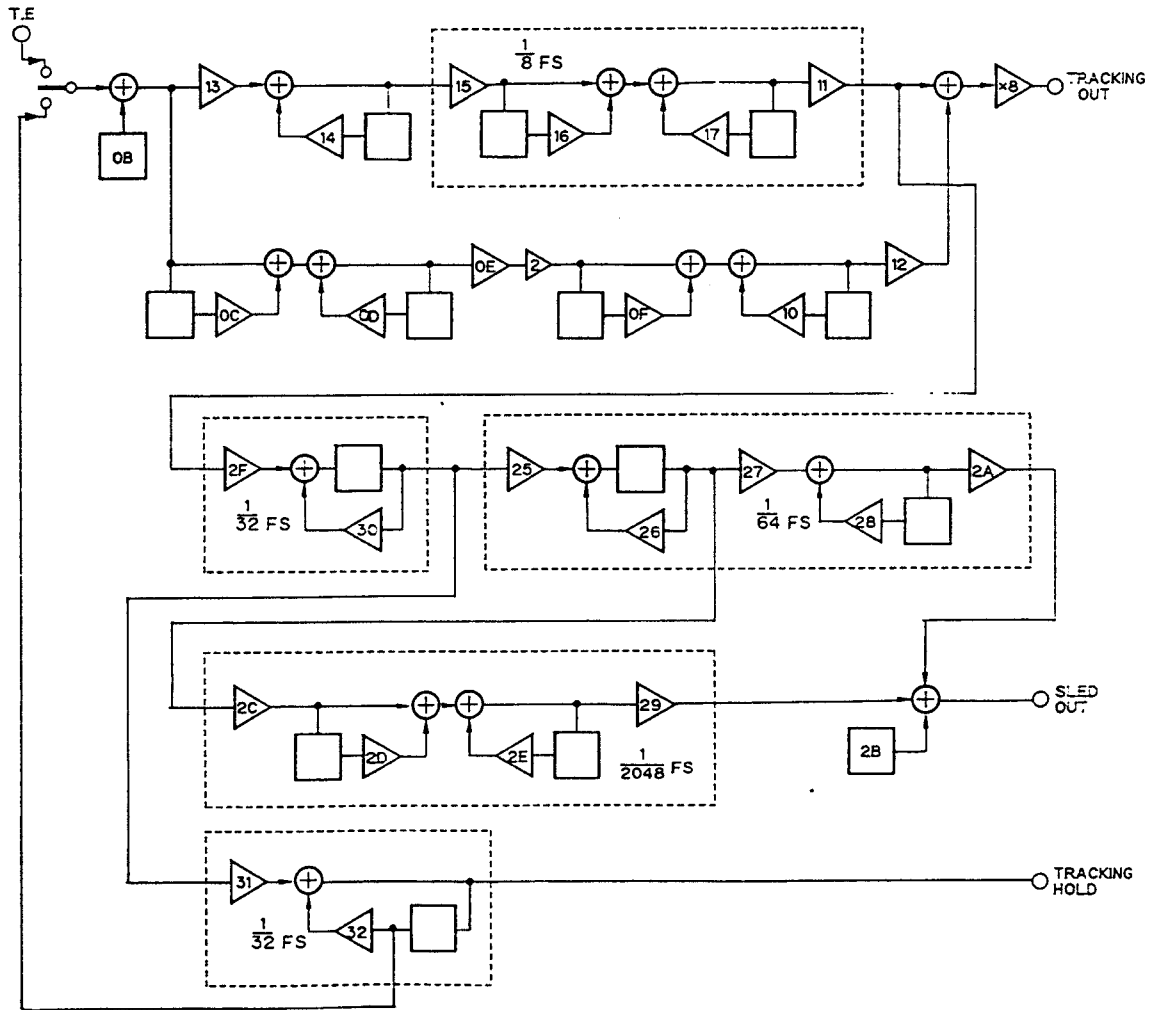


Fig. 58 Tracking carriage signal flow chart (IC601)

Shown in Fig. 57, 58 are a block diagram of the tracking carriage servo system and a flow of signals in IC UPD6374GH. To make a track jump either forward or reverse, tracking kick and brake voltages and carriage kick and brake voltages are set in related registers beforehand. A jump forward or reverse is made at the voltage which has been set in an instruction from the micro-computer.

a) Tracking equalizer

In the present system, a digital filter is built in IC UPD6374HG, allowing a specific equalizer curve to be obtained according to the coefficient sent from the microcomputer. And a passive filter is externally mounted. These two filters are used to obtain a specified equalizer curve. To allow a stable pull-in throughout

the search, moreover, the equalizer curve applied is so set as to obtain a higher level of gain than that during the play.

Fig. 59 shows the tracking equalizer curves observed during both play and search.

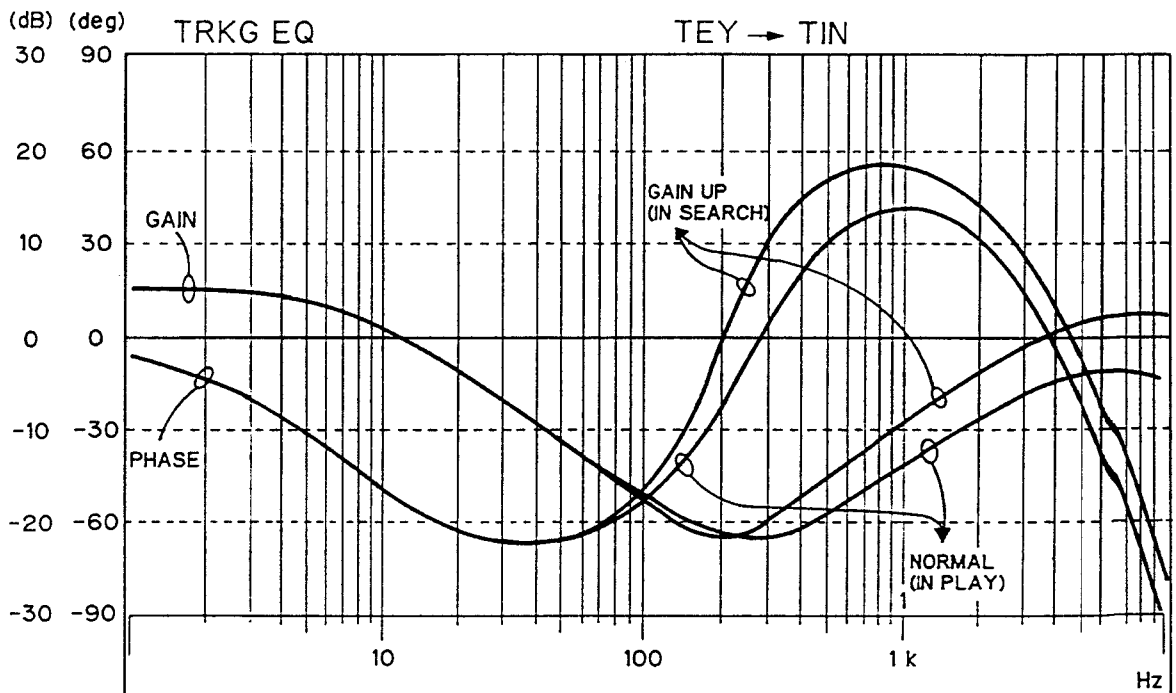


Fig. 59 Tracking equalizer (Example)

b) Brake Circuit (Fig. 60)

Since the actuator is put into a non-linear status in the in-focus mode or in the track-jump mode, the pull in the servo loop turns out very poor after completion of a jump. While both pickup and disc are relatively moving, the brake circuit permits tracking to be closed smoothly. The direction in which both pickup and disc are moving is detected, based on a phase relation between MIRR

and tracking error signals. With an accelerating component only cut off the tracking error, the decelerating component only is used while repeating the ON/OFF operations of servo on a chopper basis.

Thus, a stable pull in the servo loop is performed. This circuit's ON/OFF operations are controlled by the microcomputer.

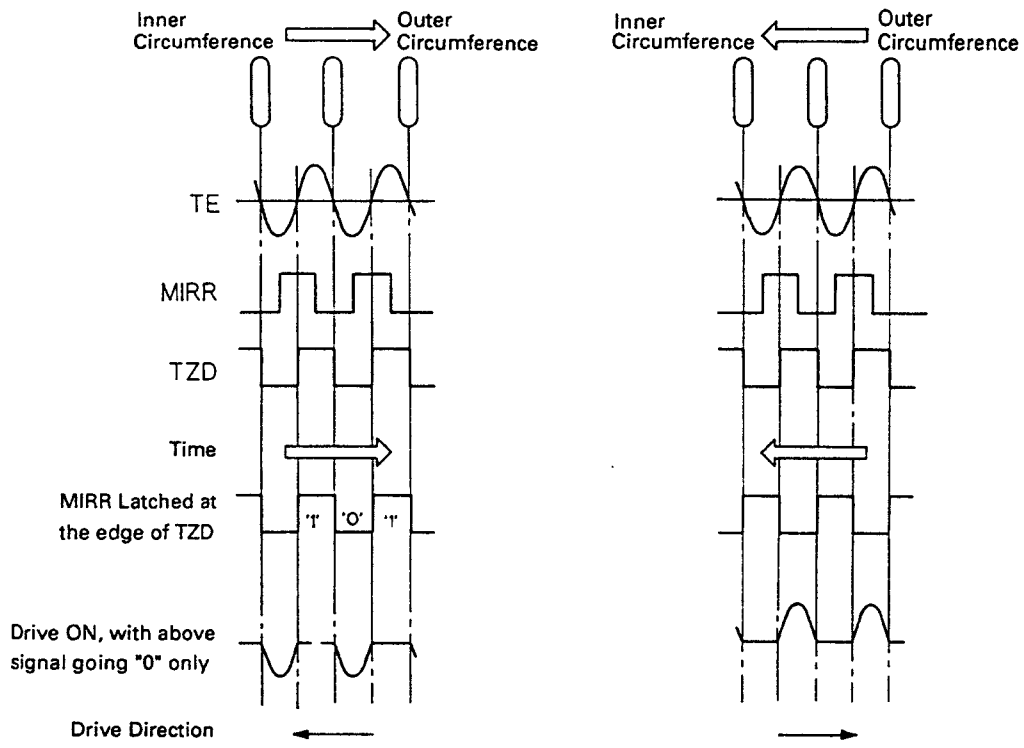


Fig. 60 Brake circuit operation

c) Carriage equalizer

As shown in the signal flow, the carriage servo system takes for an input the voltage at which the tracking actuator is driven. Based on the equalizer curves shown in Fig. 61, moreover, the system obtains those components which are required to feed the carriage. In the

present system, a threshold voltage is set beforehand so as to turn on the carriage servo when the tracking actuator has a lens deflection fall outside the range of approximately ± 30 tracks in relation to the low-pass filter output at the tracking drive voltage.

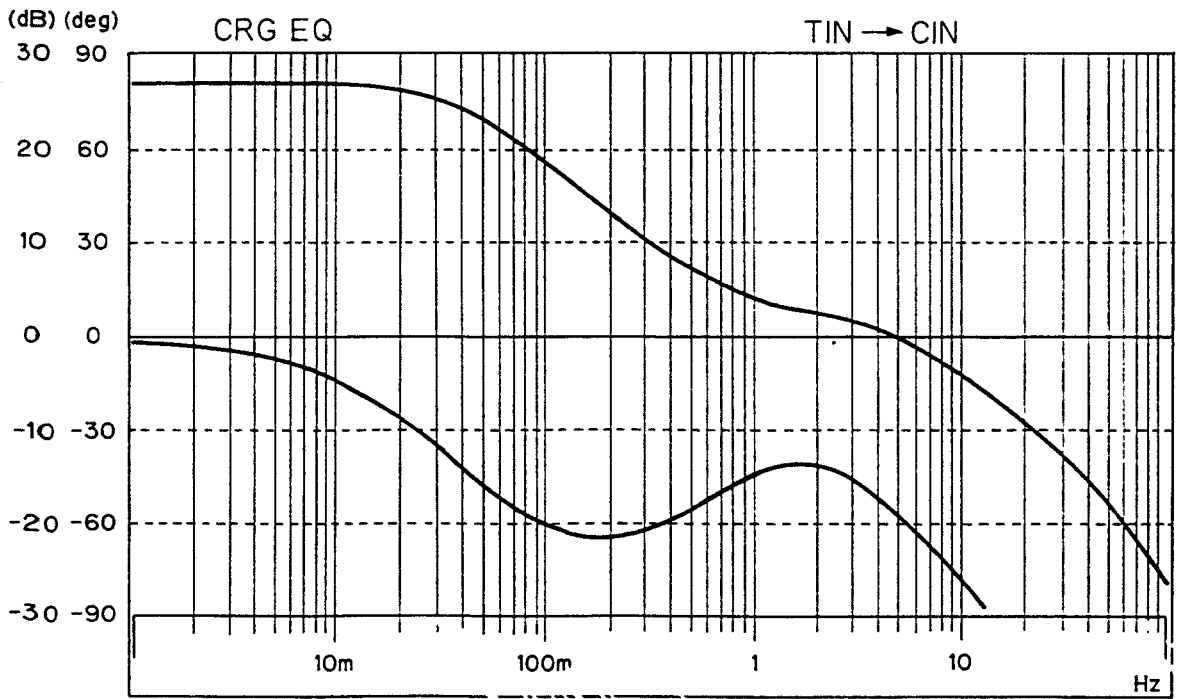


Fig. 61 Carriage equalizer (Example)

(8) Track Jump

The present system is jumping tracks 1, 10 and 32 subject to an automatic sequence of the UPD6374GH. The 64, 80 track jumps conventionally available have been substituted for 32TRK × 2 and 32TRK × 3, accordingly. Fig.62, 63 shows a timing chart of the 1, 10 and 32 track jumps.

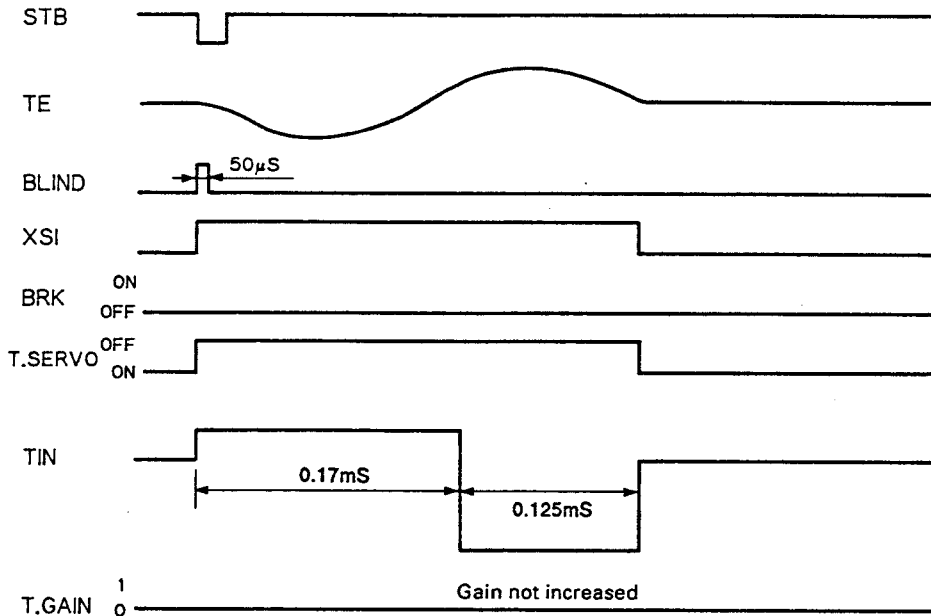


Fig. 62 Single jump

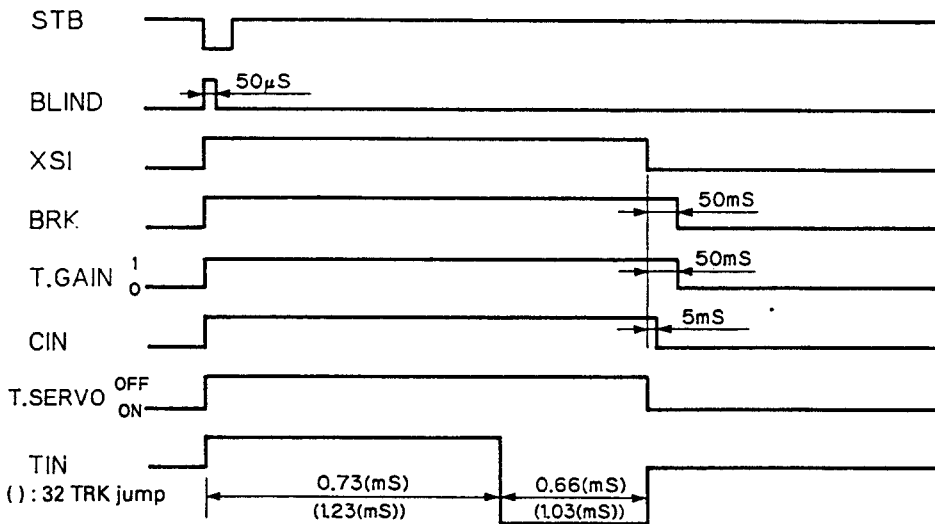


Fig. 63 10/32 Track jump

a) Track jump counter

When tracks are consecutively crossed, a tracking error signal will not fail to cross the DC offset point in both on- and off-track modes as shown in Fig. 64. This point, therefore, is used to determine either on- or off-track so as to count the number of cycles in which the on-track is switched over to the off-track. A count value is set by the microcomputer. And this count value is given priority to the kick-setting time.

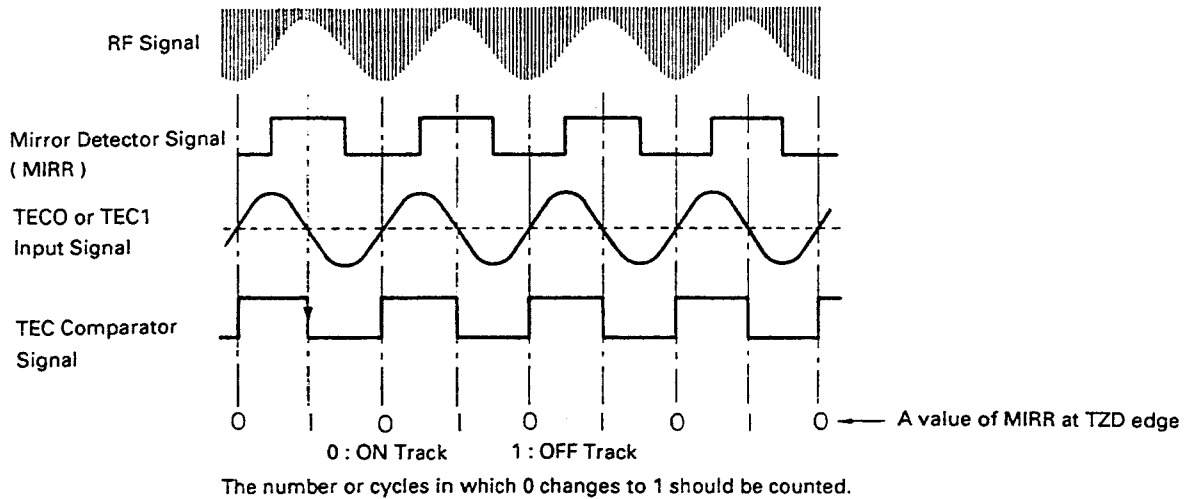
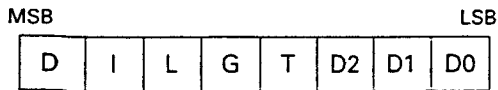


Fig. 64 Track count jump

3. CLV Control Stage

(1) CLV control command and CLV mode command



D	0	RFCK/4 and WFCK/4	Select a steady servo phase comparison signal.
	1	RFCK/8 and WFCK/8	
I	0	RFCK/16	Select a bottom hold cycle of pull-in and rough servos.
	1	RFCK/32	
L	0	MDF, MDR (H, Z) outputs	Select an MDF/MDR output terminal selecting method.
	1	MDF, MDR (H, L) outputs	
G	0	-12 dB	Select the gain of pull-in and rough servos.
	1	0 dB	
T	0	RFCK/2	Select a peak hold cycle of pull-in servo.
	1	RFCK/4	

D2	D1	D0	MDF	MDR	Control Status
0	0	0	L	L	stop
0	0	1	H	L	kick
0	1	0	L	H	brake
0	1	1	L	L	stop
1	0	0	L/H	L/H	pull-in servo
1	0	1	L/H	L/H	rough servo
1	1	0	L/H	L/H	steady servo
1	1	1	L/H	L/H	applied servo

• Pull-in Servo

This servo is used to pull the spindle motor speed into a specified number of revolutions. With a cycle of 8.6436 MHz reckoned as T, we can get "22T" (synchronous signal) as the maximum inversion interval of an EFM signal at the specified number of revolutions. Therefore, determine the EFM signal's maximum inversion interval and compare it with "22T" so that we can detect whether the motor speed is higher or lower than the specified number of revolution.

EFM SIGNAL MAX. INVERSION INTERVAL	MDF TERMINAL	MDR TERMINAL	MOTOR SPEED
"21T" and below	L(Z)	H	high
"22T"	L(Z)	L(Z)	
"23T" and above	H	L(Z)	low

Z: High impedance

• Rough Servo

This servo is used for the high-speed access in which the carriage is moved at a high speed, with focus servo ON and tracking servo OFF.

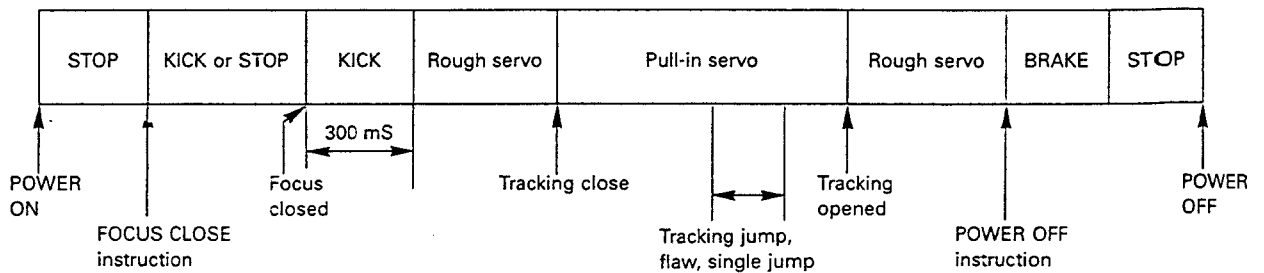
• Steady Servo

This servo is used to maintain the spindle motor speed at a specified number of revolutions. It is outputted as a result of comparing the phase between WFCK/4 and RFCK/4 or between WFCK/8 and RFCK/8.

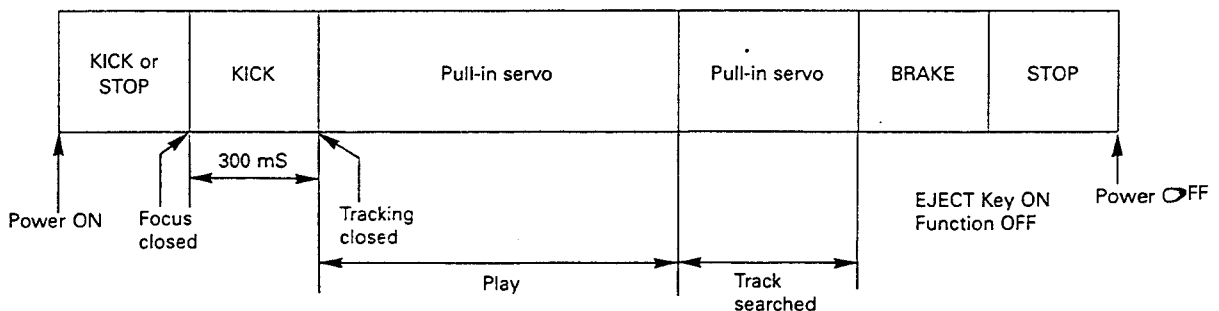
• Application Servo

This is the CLV servo mode available during the normal operation. In the EFM demodulator block, every WFCK/16 is sampled to determine whether or not the frame synchronizing signal coincides with an output of the internal frame counter. As a result, a signal is generated to show whether or not they are coincident. Once this signal has been found not incident in eight consecutive cycles, the status is first determined asynchronous. Under any other conditions, the status is deemed synchronous. The CLV application servo mode automatically selects the pull-in servo in the asynchronous status and the steady servo in the synchronous status. This feature is not employed in the present system.

• Test Mode



• Normal Mode



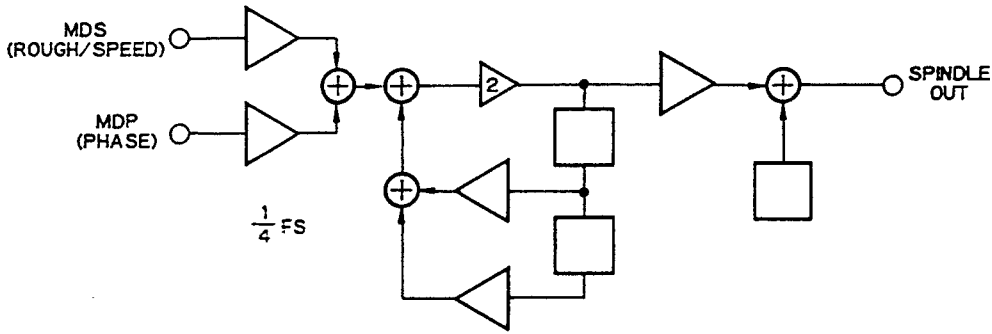


Fig. 65 Spindle signal flow chart (IC601)

(2) PLL stage

The present system employs a digital PLL circuit illustrated below. This PLL circuit operates so as to lock the rising edge of a PLCK and the edge of an EFM signal. And it has a resolution of as high as approximately eight times T ($T = \text{EFM signal's bit rate} = 1/4.3218 \text{ MHz}$). Both frequency divider output frequency and EFM bit rate have their errors automatically regulated to adjust the mean free-run frequency to the bit rate.

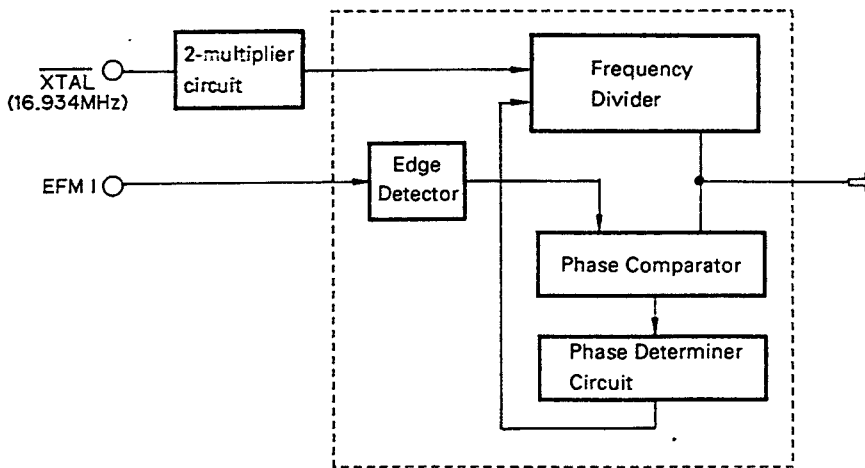


Fig. 66 Digital PLL block diagram (IC701)

4. Power Supply Stage

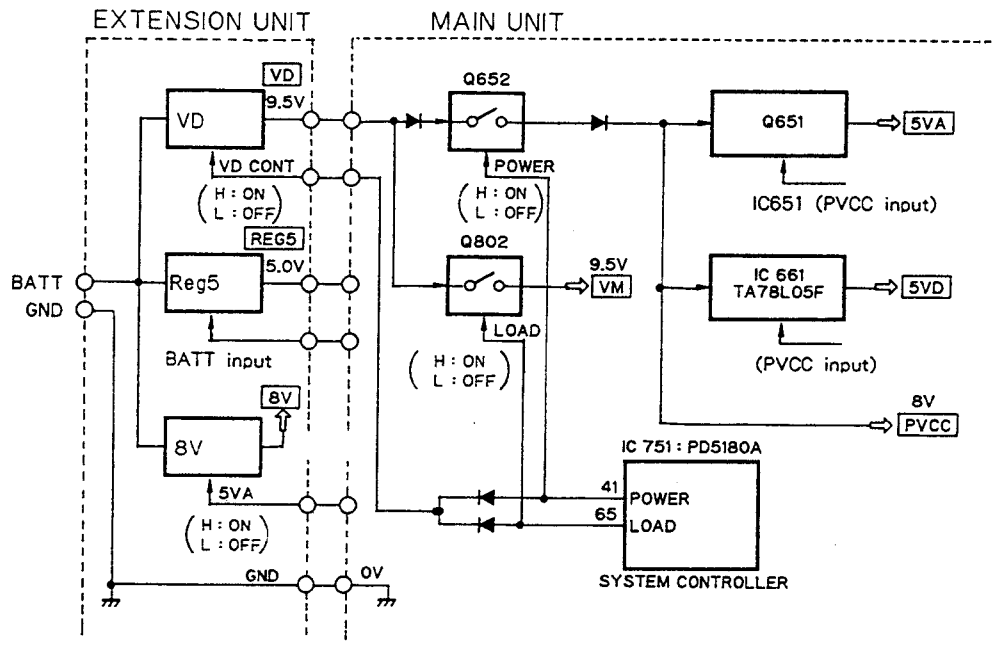


Fig. 67

The -5V power is available in two types; 5VA and 5VD. The 5VA is used to supply power to the pickup LD and to the preamplifier system and the 5VD to other LSIs.

The VM is used to supply power to the mechanism-driver IC (IC801). No output is available as long as mechanisms are operating.

The REG5 is used to supply power to the system controller (IC751 and 755) while outputting normally. The 8V is used for the auto system circuit (amplifier and isolator) in the extended unit and not supplied to the main unit.

It should be noted that the Q987 in the VD circuit has a very high temperature.

5. Optical Digital Output Circuit

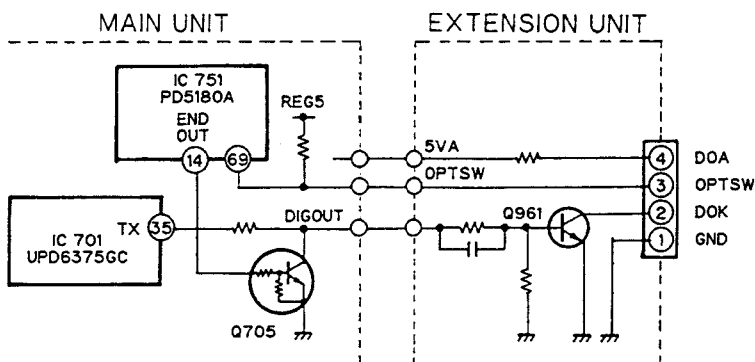


Fig. 68

The optical digital output circuit has a configuration as illustrated. Originally, its output is normally available at the TX terminal on the IC701. With effects of noise, etc. taken into consideration, however, the Q785 is employed to control muting so that the optical digital output circuit will output only when an optical cable is

connected. Once the optical cable has been inserted, the OPT switch will change from H to L. This is detected by the IC751 to turn 14 ENDOUT from H to L, thereby resetting the MUTE mode.

With the optical cable removed, the system will operate reversely to change the DIGOUT over to L.

6. New Test Mode (FH-M70+CDX-M30)

The new test mode performs more or less the same operations as the normal mode PLAY, but is able to carry out a more detailed analysis of error stop causes. During setup, it displays the operation status of the CD control software. After setup, it displays the causes, time of occurrence, and disc number of protection operations, errors, and time-out of FOK, LOCK, sub-code readability and un-readability, sound dropping, mechanism error, etc. (However, only with the combination of head units manufactured after Autumn 1991.)

The following new test mode keys are examples when combined with FH-M70.

● New Test Mode (aging operation and setup analysis)

The CD, either single or multiple, plays in the normal mode. After being set up, it will display FOK (focus), LOCK (spindle), subcode, sound skip, protection against a mechanical error or the like, occurrence of an error, cause and time of an expiry, if any, (and disc number in the multi-mode).

During the setup, the CD software operation status (internal RAM and C-point) is displayed.

The software on the head unit side does not involve any special problem but runs normally.

Since it is necessary to cope with the error number display function.

(1) How to Put in the NEW TEST Mode

See the test mode flow chart Page 10.

(2) Relations of keys between TEST and NEW TEST Modes.

P-BUS Commands	Keys	Test Mode		New Test Mode	New Test Mode	
		Regulator OFF	Regulator ON		Play in progress	Error Protection } Talking place
B0	BAND/REL	Regulator ON	Regulator OFF	BAND/REL	Time of occurrence } Selected	Cause of error
B1	▶▶	—	FWD-KICK	▶▶	—	—
B2	◀◀	—	REV-KICK	◀◀	—	—
B3	F · 1	—	TRACKING CLOSE	F · 1	—	—
B4	F · 4	—	TRACKING OPEN	F · 4	—	—
B5	F · 2	—	FOCUS CLOSE	F · 2	—	—
B6	—	—	FOCUS OPEN	—	—	—
B7	—	—	Jump-OFF	—	—	—
B8	F · 3	To new Test Mode	Jump-Mode selected	F · 3	Occurrence TNo } Selected	Time of occurrence

Operations, such as EJECT, CD ON/OFF, etc. are to be performed normally

(3) Error Cause (Error Number) Code

Error Code	Classification	Mode	Description	Cause/Detail
40	ELECTRIC	PLAY	FOK – L 100 ms	Put out of focus Spindle unlocked Subcode failes to read Last address memory operated Scar, Stain, Vibration, Servo defect, etc...
41	↑	↑	LOCK – L 100 ms	
42	↑	↑	Subcode unacceptable 500 ms	
43	↑	↑	Sound skipped	

*With CD single, no mechanical error is displayed while aging. The error code is identical with those in the normal mode.

(4) Indicating an Operation Status During Setup

Status No.	Description	Protection operation
01	Carriage home mode started	None
02	Carriage moving on the internal circumference	10-second time out
03	Carriage moving on the external circumference	10-second time out
11	Setup started	None
12	Spindle turn/Focus search started	None
13	Waiting for focus closing	Failure to focus closing
14	Spindle kicked and focus checked	Out of focus
15	Tracking closed and focus checked	Out of focus
17	Carriage closed and focus checked	Out of focus
18	Lock subcode } Waiting	Failure to lock, Subcode failed to read out of focus
19	End	None

(5) Example of 7-segment Display**(a) SET UP in progress**

TRACK	MIN	SEC	
11	11	11	While in the TEST MODE, a status number is indicated in TNO, MIN and SEC.
TRACK			
11			
MIN	SEC		
11	11		

(b) Operation (PLAY, SEARCH, etc.) in progress Perfectly identical with that in the multi mode.**(c) Protection/Error upon occurrence**

ERROR-XX			While in the error mode, an error number is displayed in MIN and SEC.
Err-XX, ERR-XX			
E-XX			

Select the display with the BAND/REL key.

TRACK	MIN	SEC	
10	40	05	While in the PLAY MODE, an absolute time is indicated in TNO, MIN and SEC.
TRACK			
10			
MIN	SEC		
40	05		Select the display with the F · 3 key.