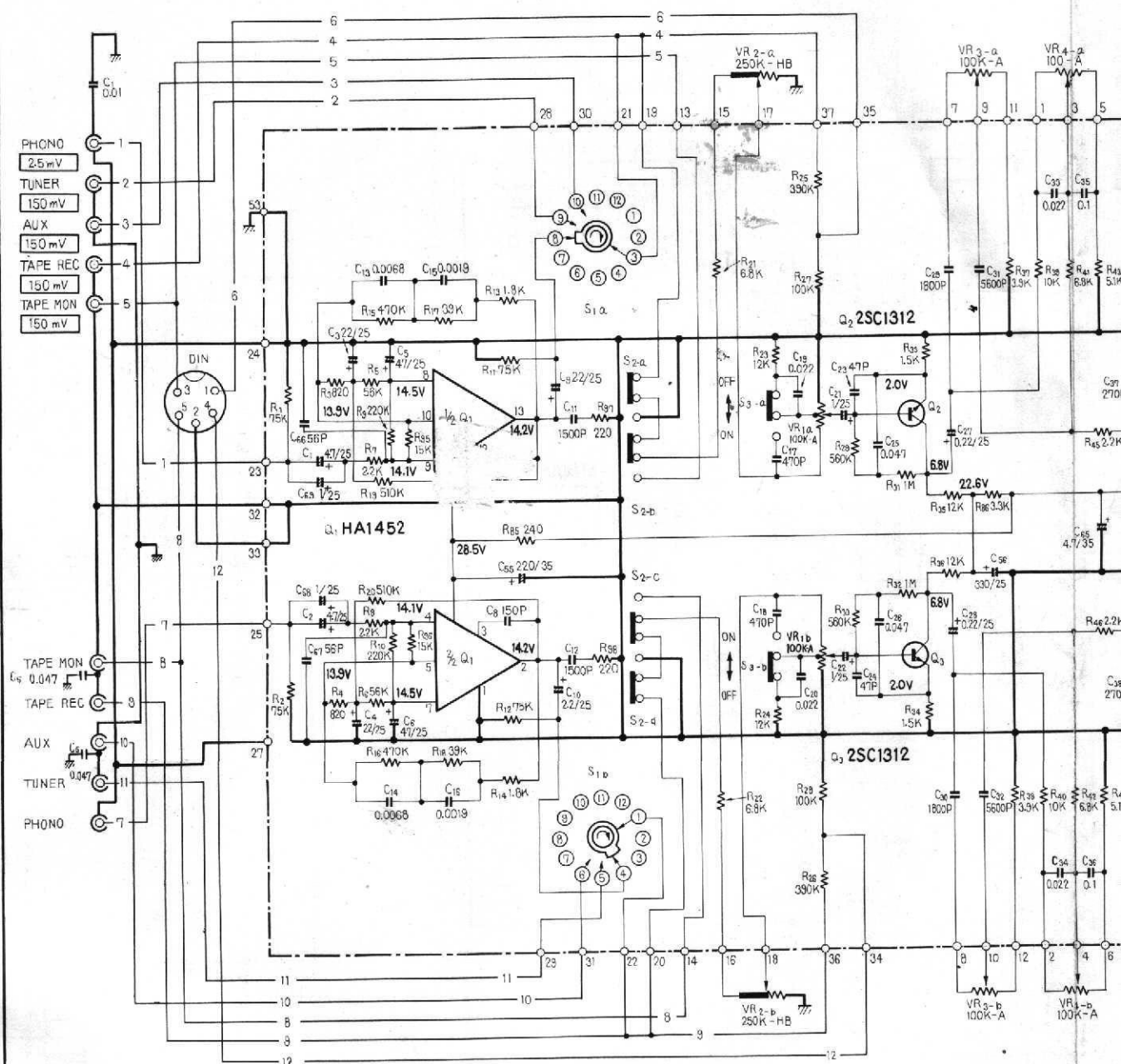


5-Line Voltage model



VR₁ MAIN VOLUME
 VR₂ BALANCE CONTROL
 VR₃ TREBLE CONTROL
 VR₄ BASS CONTROL

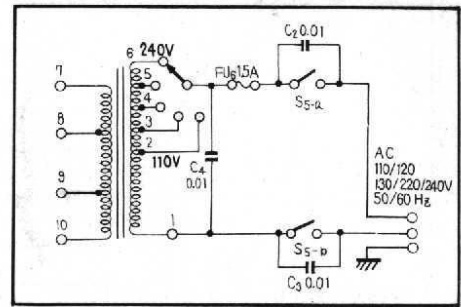
SWITCHES
 S₁ FUNCTION
 1. PHONO
 2. TUNER
 3. AUX
 S₂ TAPE MONITOR
 OFF → ON
 S₃ LOUDNESS
 OFF → ON

S₄ SPEAKER SELECTOR
 1. OFF
 2. A
 3. B
 4. A + B
 S₅ POWER SWITCH
 OFF → ON

RESISTORS
 IN OHM
 OTHER
 CAPACITORS
 IN μF
 P: pF

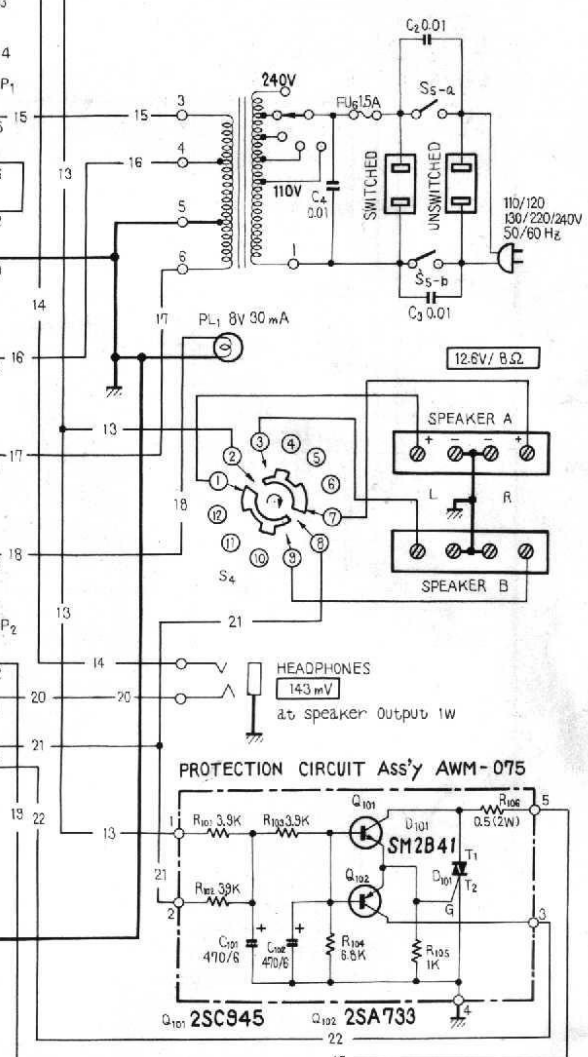
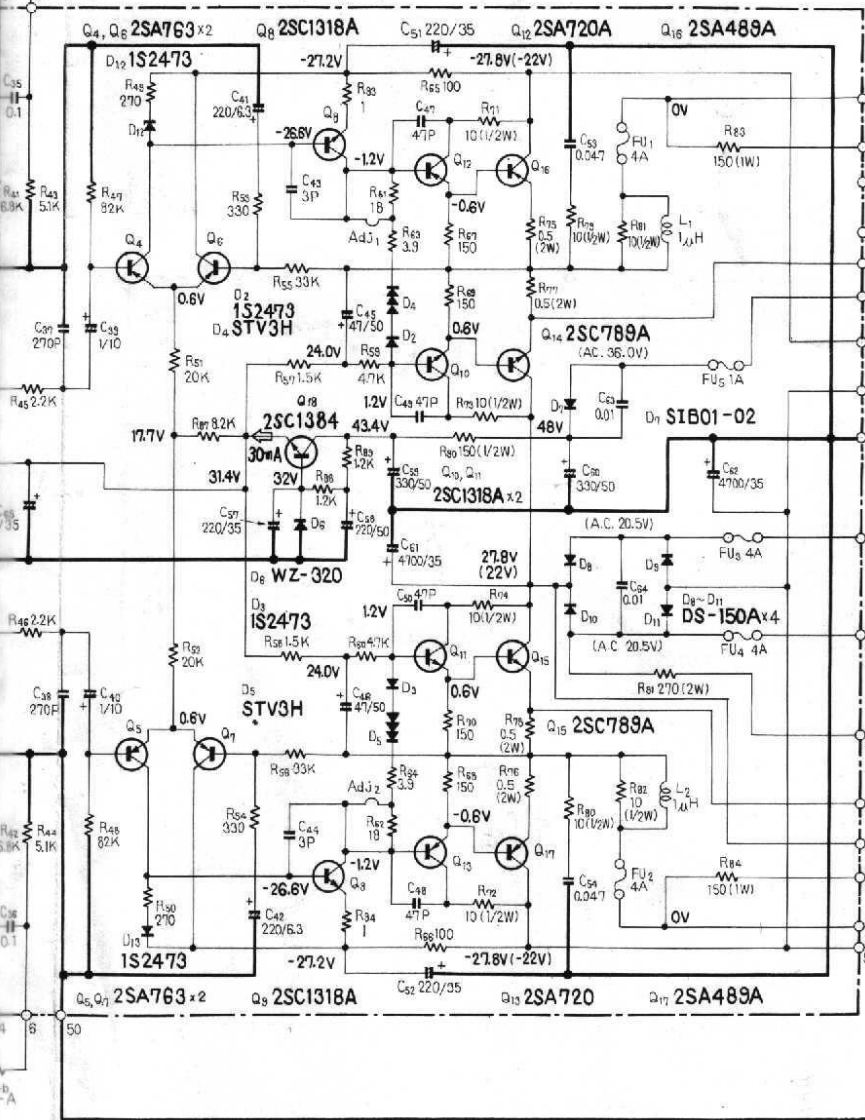
FP
 FV
 GN
SA-6300

Manufactured for England



FU₁ (240V, 220V 1.5A
110V, 120V, 130V 3A)

AF AMP Ass'y AWK-036



E CONTROL
CONTROL

ORS
ΩHM, 1/4W, ±5% TOLERANCE UNLESS
OTHERWISE NOTED. K: kΩ M: MΩ

TORS
μF UNLESS OTHERWISE NOTED.
pF

- NOTES
- : SIGNAL VOLTAGE NECESSARY FOR OBTAINING 20W/8Ω OUTPUT POWER (1KHz).
 - V : DC VOLTAGE AT NO INPUT SIGNAL.
 - (V) : DC VOLTAGE AT 20WATTS x2 OUTPUTS.
 - ⇐ A : DC CURRENT AT NO INPUT SIGNAL.